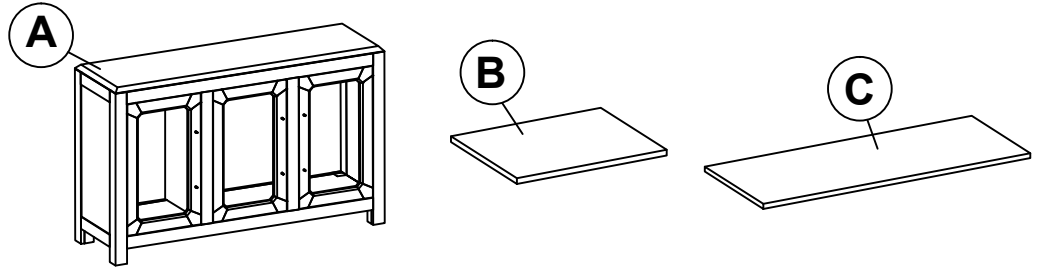


# ACADIA SIDEBOARD ASSEMBLY INSTRUCTIONS



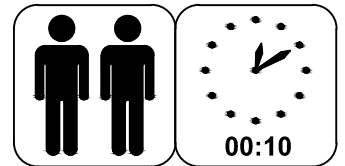
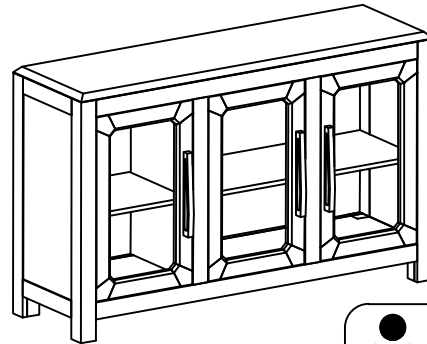
## PARTS PACKING CONFIGURATIONS

- A. SIDEBOARD 1 PC
- B. LEFT SHELF 1 PC
- C. RIGHT SHELF 1 PC

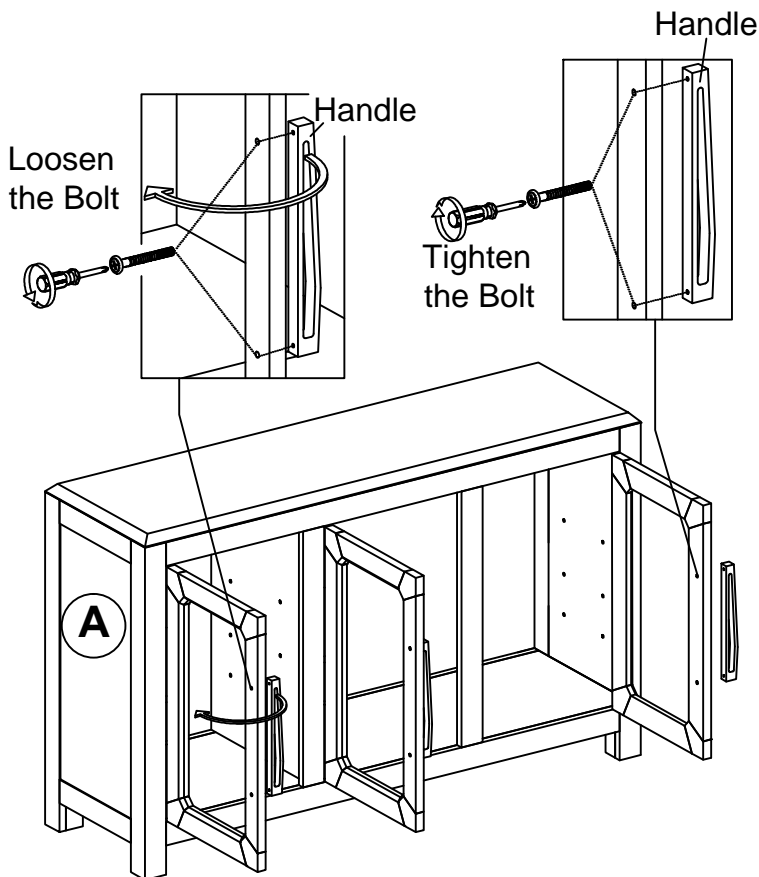


### HARDWARE PACKED IN BOX

No.	Description	Photo	Quantity
1	Shelf Clip		8 pcs



### STEP 1:



### STEP 2:

