

Buffet



IMPORTANT

Carefully remove all the parts from the carton and place them individually on a soft cloth to prevent scratches or other damage.

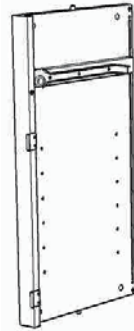
Carefully and strictly follow these assembly instructions to ensure a completed product as designed.

Do not use power tools above 8 volts to assemble.

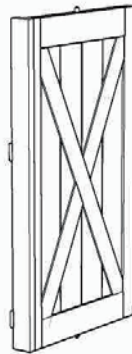
Part List



A.  
Top  
1 pc.



B.  
Side Panel  
1 pc.



C.  
Side Panel  
1 pc.



D.  
Middle Panel  
1 pc.



E.  
Back Panel  
3 pcs.



F.  
Upright  
2 pcs.



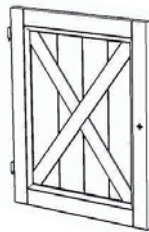
G.  
Stretcher  
2 pcs.



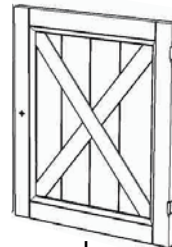
J.  
Shelf  
4 pcs.



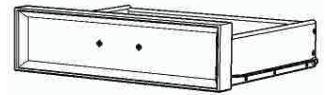
H.  
Front Rail  
1 pc.



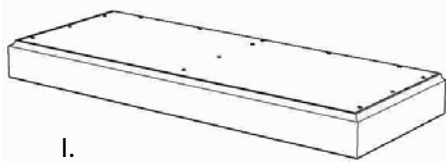
K.  
Door  
1 pc.



L.  
Door  
1 pc.



M.  
Drawer  
2 pcs.



I.  
Base  
1 pc.

Refer to later page(s) of these instructions for drawer assembly.

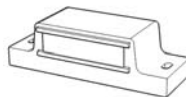
Hardware List



Cam Lock Screw  
24 pcs. (+2 extra)



M3x15  
Wood Screw (short)  
16 pcs. (+1 extra)



Magnet  
2 pcs.



M3x16  
Wood Screw  
for Back Panel  
12 pcs. (+1 extra)



Knob  
2 pcs.



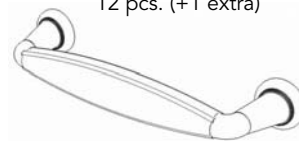
Cam Lock  
24 pcs. (+6 extra)



M3x25  
Wood Screw (long)  
16 pcs. (+1 extra)



Adjustable Pin  
16 pcs. (+1 extra)



Pull Handle  
2 pcs.



M4x25  
Machine Screw  
6 pcs.

Tool(s) required for assembly: Phillips screwdriver, Level, Drill (8 volts or less), 3/8" Drill Bit

Home Styles Customer Service: [www.homestyles-furniture.com](http://www.homestyles-furniture.com),  
[servicedesk@homestyles-furniture.com](mailto:servicedesk@homestyles-furniture.com), 888-680-7460, 877-831-0319

# Assembly Instructions 2/6

## IMPORTANT

- Use a soft cloth between these parts and the floor.
- Do not use power tools above 8 volts to assemble.
- Do not tighten all the screws until each part is properly assembled.
- The unit must be level to work properly. Use the included adjustable levelers to level.

## STEP 1

Insert Cam Lock Screws into pre-drilled holes of Top (A), Side Panels (B), (C) and Base (I). (See Figure 1)

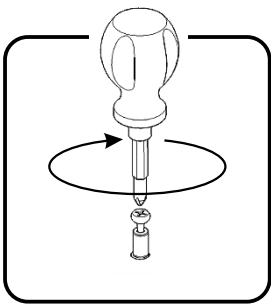
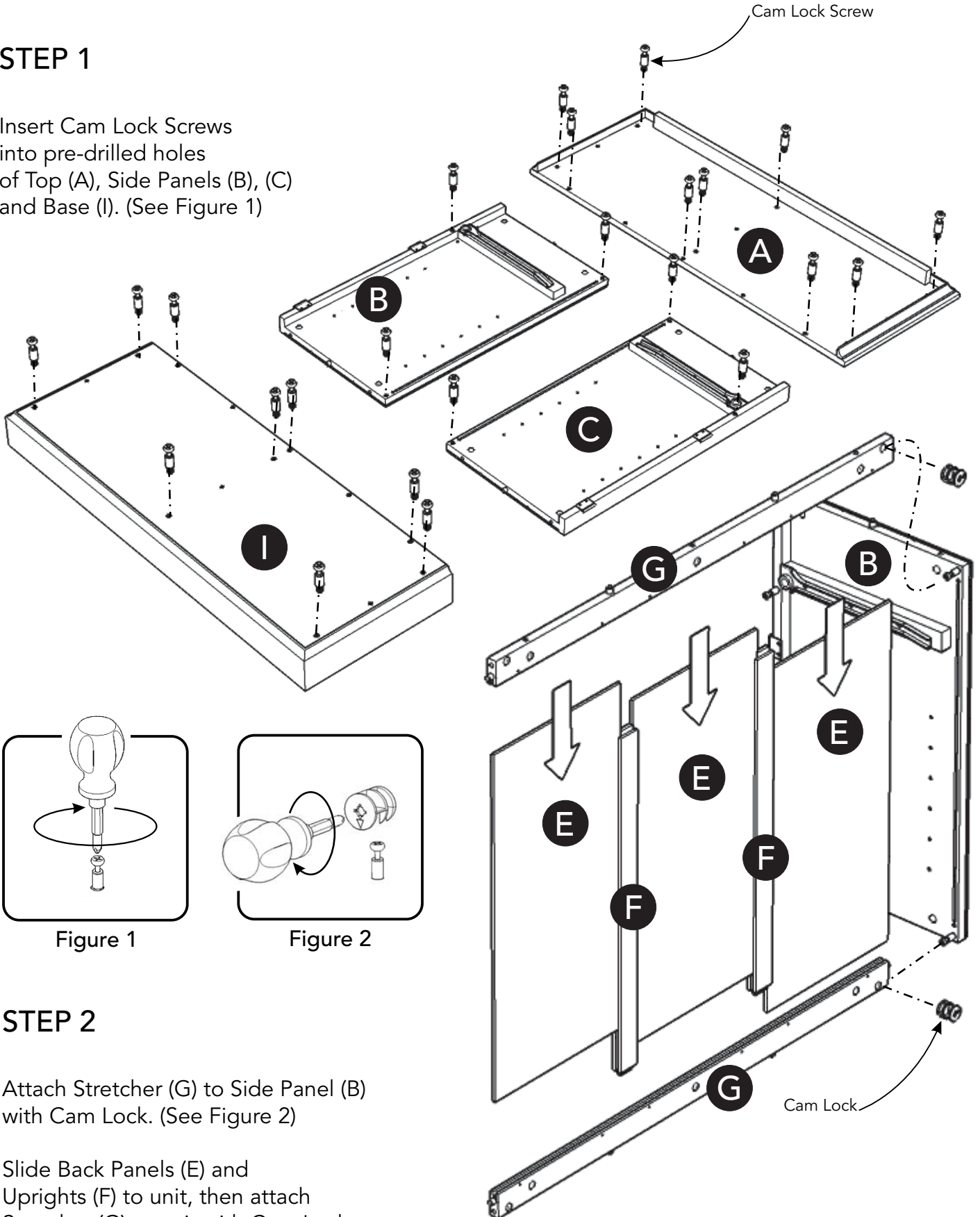


Figure 1

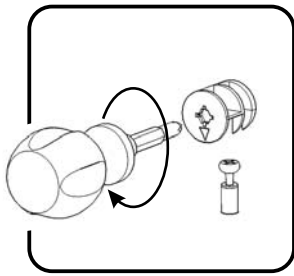


Figure 2

## STEP 2

Attach Stretcher (G) to Side Panel (B) with Cam Lock. (See Figure 2)

Slide Back Panels (E) and Uprights (F) to unit, then attach Stretcher (G) to unit with Cam Lock.

### STEP 3

Attach Magnets at the pre-drilled holes of Front Rail (H) with Wood Screws (short) (See Figure 3)

Attach Middle Panels (D), Front Rail (H) and Side Panel (C) to unit with Cam Locks.

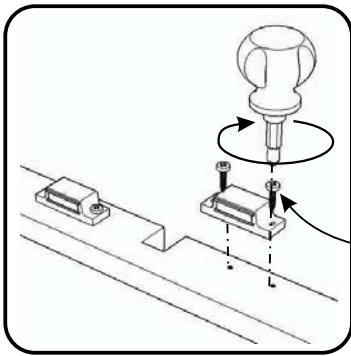
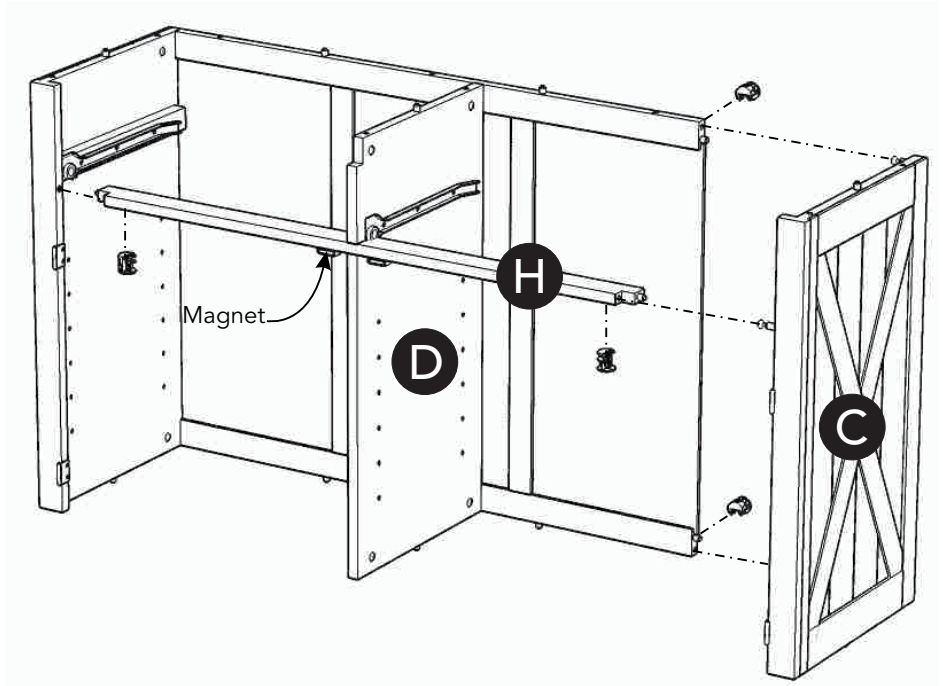
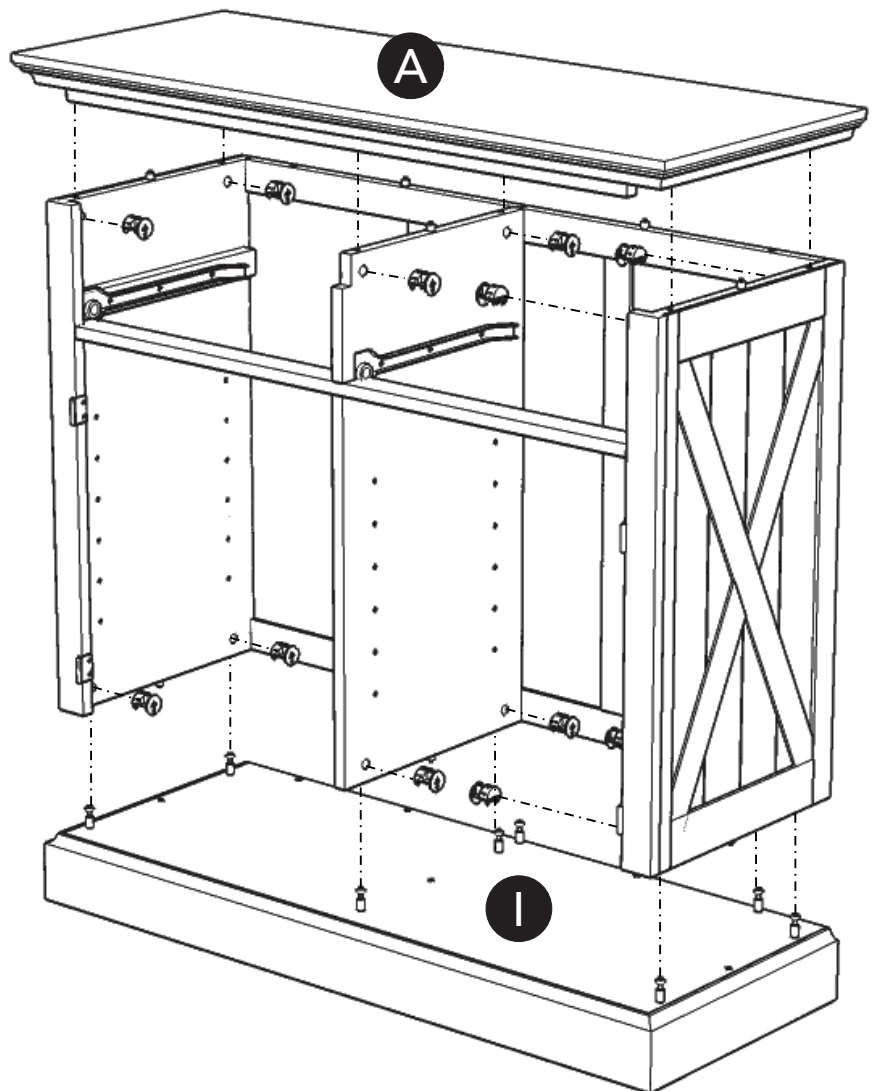


Figure 3

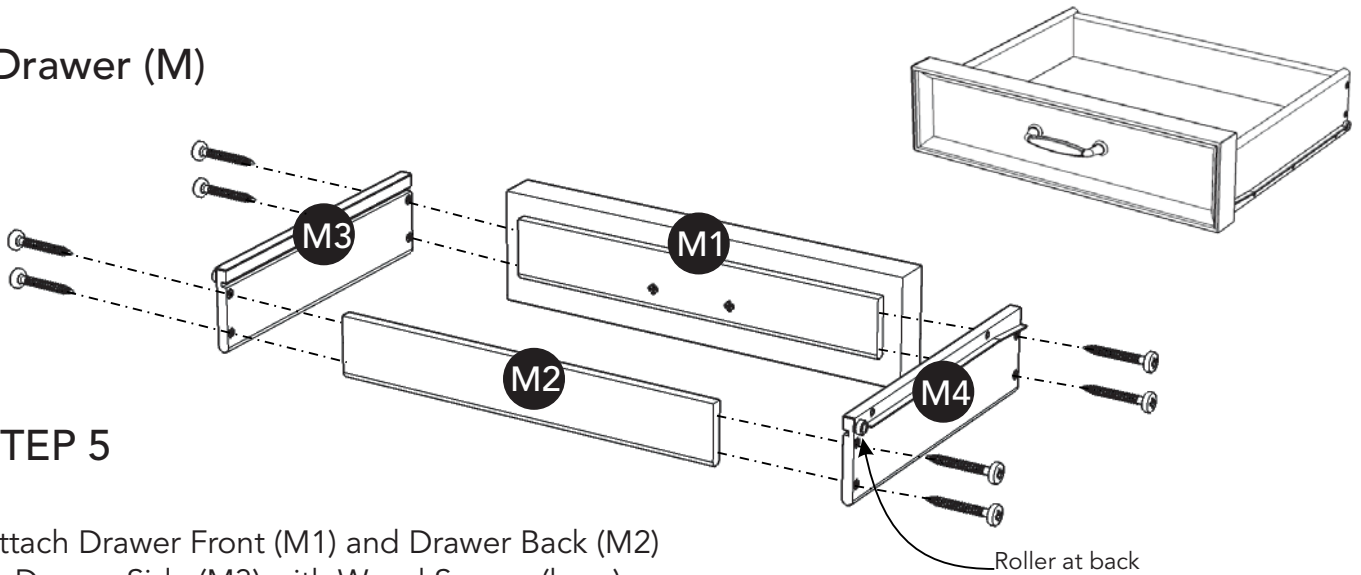
### STEP 4

Attach Base (I) and Top (A) to unit with Cam Locks.



## Assembly Instructions 4/6

### Drawer (M)



### STEP 5

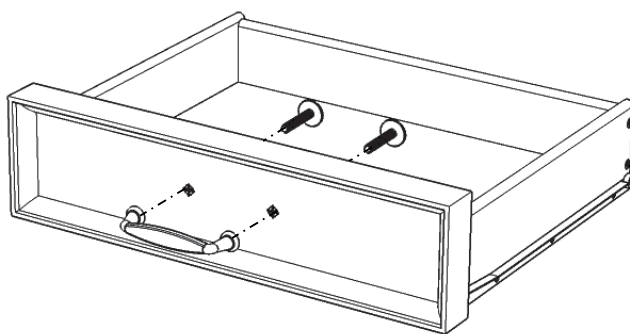
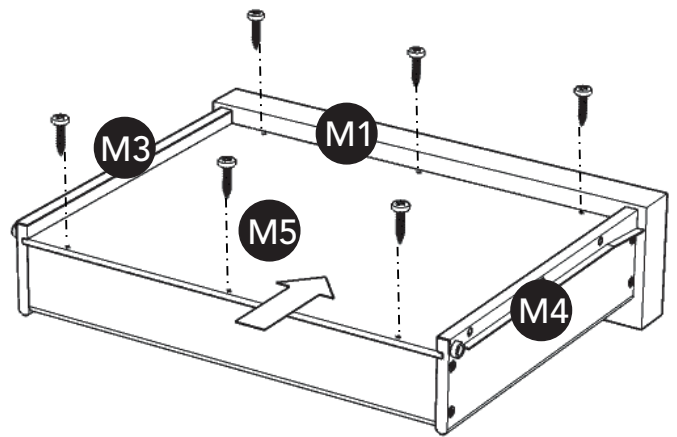
Attach Drawer Front (M1) and Drawer Back (M2) to Drawer Side (M3) with Wood Screws (long).

Attach Drawer Side (M4) to unit with Wood Screws (long).

### STEP 6

Slide Drawer Bottom (M5) into the grooves of Drawer Sides (M3) and (M4) until it meets Drawer Front (M1).

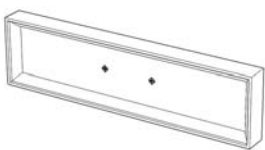
Attach Drawer Bottom (M5) to unit with Wood Screws (short).



### STEP 7

Attach Pull Handle with Machine Screws.

### Part List



M1.  
Drawer Front  
2 pcs.



M2.  
Drawer Back  
2 pcs.



M3.  
Drawer Side  
2 pcs.

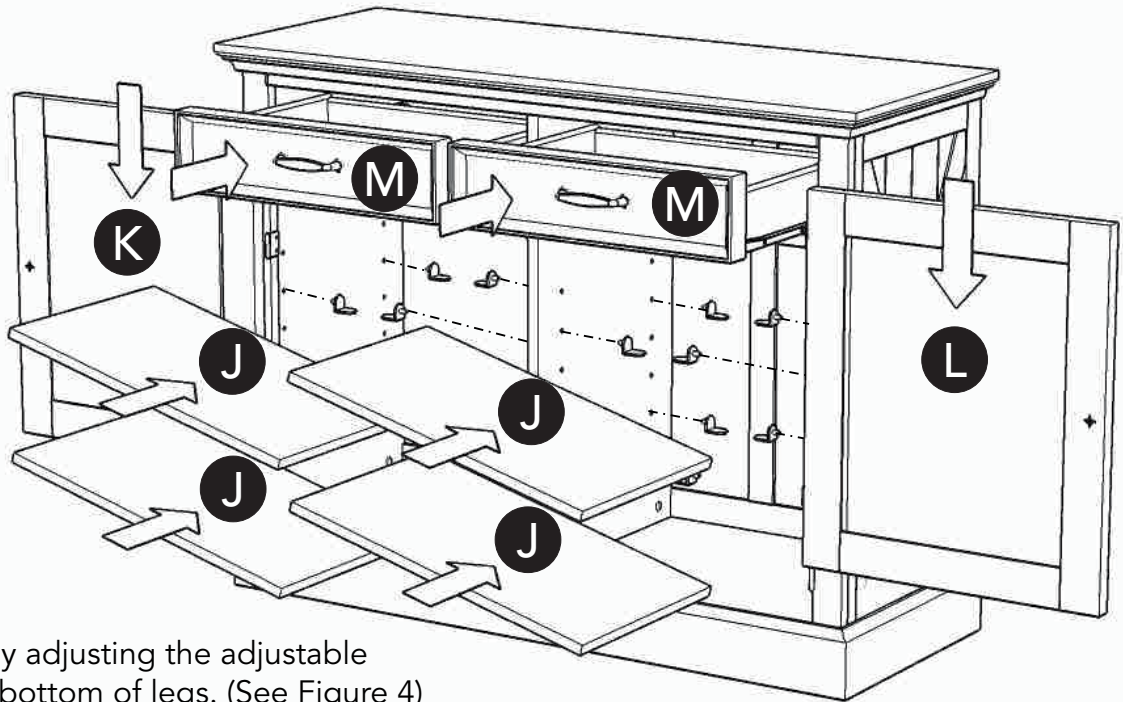


M4.  
Drawer Side  
2 pcs.



M5.  
Drawer Bottom  
2 pcs.

## Assembly Instructions 5/6



### STEP 8

Level the unit by adjusting the adjustable levelers on the bottom of legs. (See Figure 4)

Insert Adjustable Pins into middle panel and side panels at the desired level. (See Figure 5)

Slide Drawers (M) and Shelves (J) into position.

Attach Knobs to Doors (K) and (L) with Machine Screws. (See Figure 6)

Attach Doors (K) and (L) to unit by sliding the door lift hinges into the side panels lift hinges. (See Figure 7)

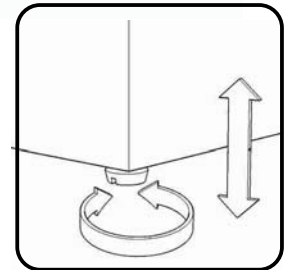


Figure 4

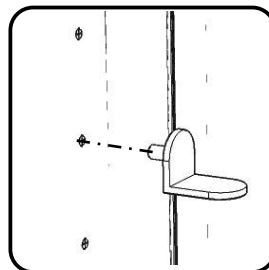


Figure 5

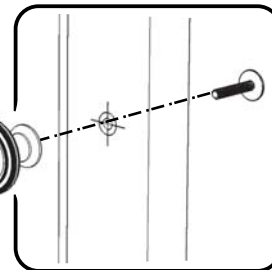


Figure 6

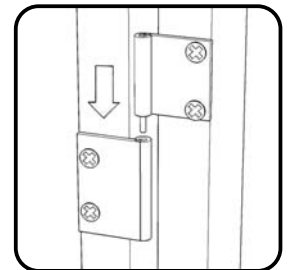


Figure 7

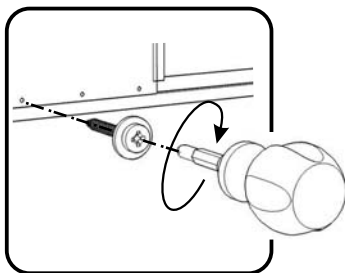


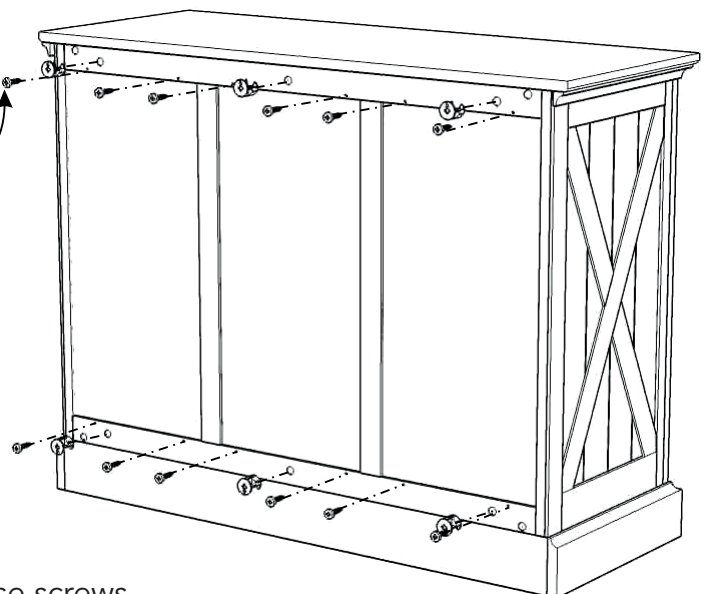
Figure 8

Wood Screw  
for Back Panel

### STEP 9

Insert Cam Locks into the pre-drilled holes of stretchers and tighten.

Insert Wood Screws from the back to the unit. (See Figure 8)



Note: Unit must be level before tightening these screws.

# Assembly Instructions 6/6

## IMPORTANT

- To help reduce the risk of the unit tipping over, the Tip-over Restraint must be installed following these instructions exactly.

## STEP 10

Place unit at desired location.

Drill a 3/8" hole in wall in-line with the pre-drilled hole at top of unit.

Move unit.

Insert Anchor into the wall hole and attach Bracket with Wall Screw.

Attach Bracket at pre-drilled hole at top of unit with Wood Screw.

Move unit back into place.

Slide Tip-over Restraint through Bracket on wall and Bracket on unit.  
(See Figure 9)

Put tie end of Tip-over Restraint into lock end of Tip-over Restraint and pull until tight.

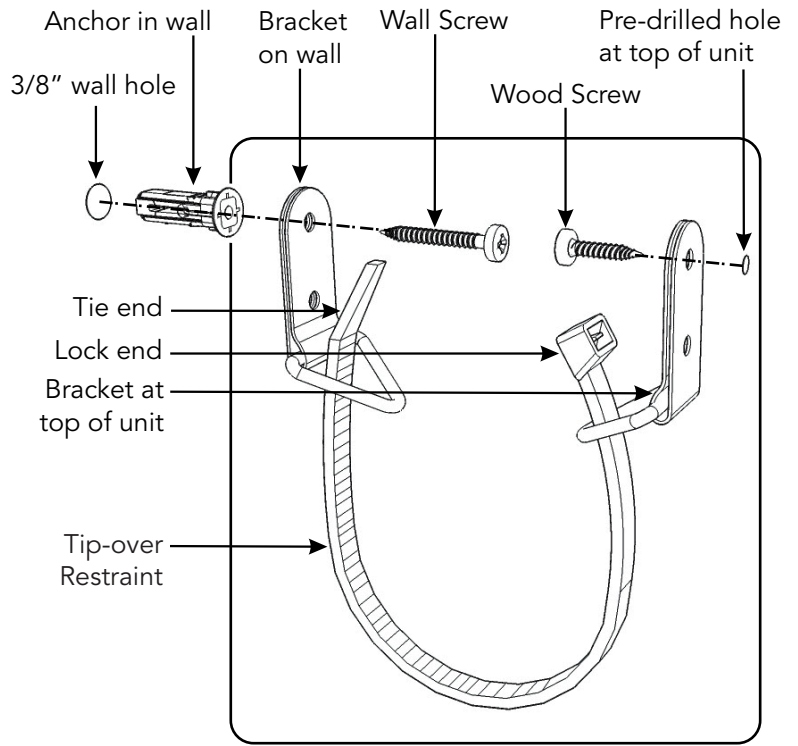
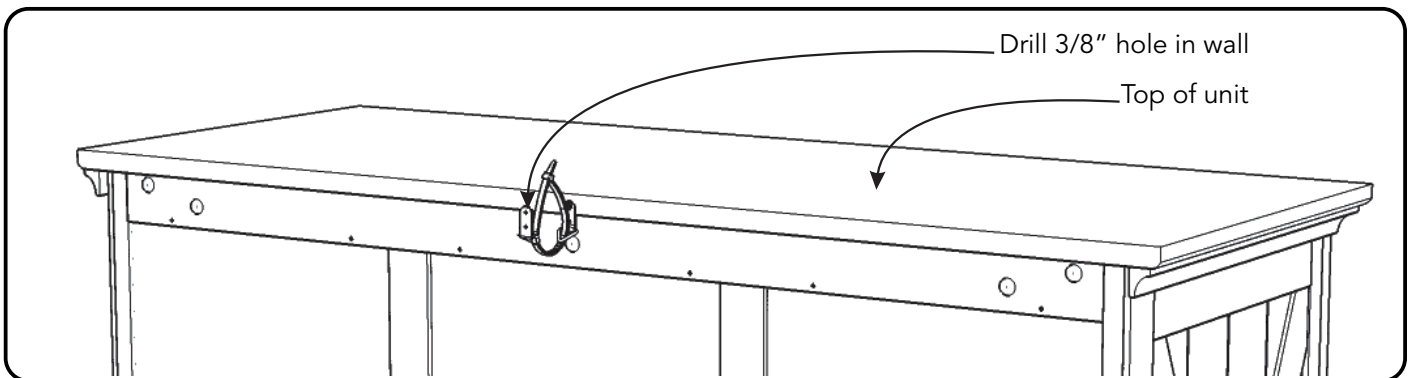
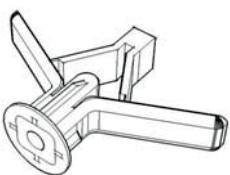


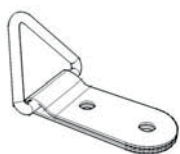
Figure 9



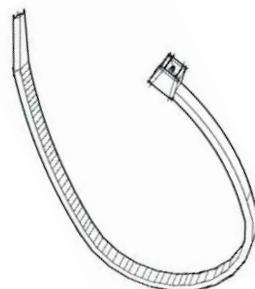
## Hardware List



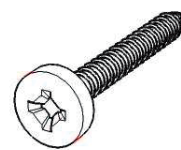
Anchor  
1 pc. (+1 extra)



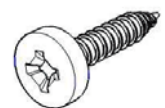
Bracket  
2 pcs. (+1 extra)



Tip-over Restraint  
1 pc. (+1 extra)



M3.5x40  
Wall Screw  
1 pc. (+1 extra)



M3.5x16  
Wood Screw  
1 pc. (+1 extra)

# CARE INSTRUCTIONS

## NEVER

allow liquids to remain on furniture.  
Absorption causes parts to warp  
and split and finishes to delaminate.

## NEVER

use glass cleaners on  
finished furniture. Ammonia  
chemically attacks the finish.



Do not use power tools  
above 8 volts to assemble.  
**PREVENT  
CRACKING**



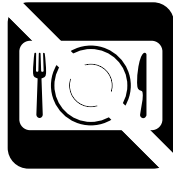
Do not place  
in direct sunlight.  
**PREVENT  
FADING**



Do not write  
directly on surface.  
**PREVENT  
MARKING**



Do not place hot  
objects on surface.  
**PREVENT  
FINISH DAMAGE**



Do not use rubber  
based placemats.  
**PREVENT  
DISCOLORING**



Do not use commercial  
waxes and polishes.  
**PREVENT  
YELLOWING**

## CLEAN

with a soft cloth moistened  
in lukewarm soap and water.  
Buff with a dry clean cloth.



Home Styles will provide replacements free of charge for missing or damaged hardware or parts within 30 days of purchase. Digital images of the defective parts may be required. If the product was not purchased from an authorized retail affiliate, Home Styles is under no obligation to provide replacement parts. Parts are not available for fully assembled items nor are parts available for sale. Replacements for missing or damaged hardware or parts may be requested at:

[www.homestyles-furniture.com/customer-service/replacement-parts](http://www.homestyles-furniture.com/customer-service/replacement-parts)

Home Styles Customer Service: [www.homestyles-furniture.com](http://www.homestyles-furniture.com),  
[servicedesk@homestyles-furniture.com](mailto:servicedesk@homestyles-furniture.com), 888-680-7460, 877-831-0319