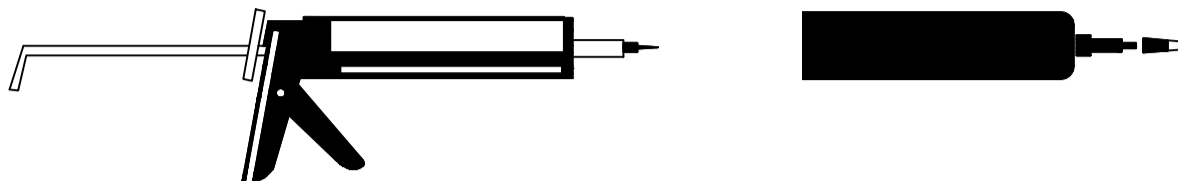


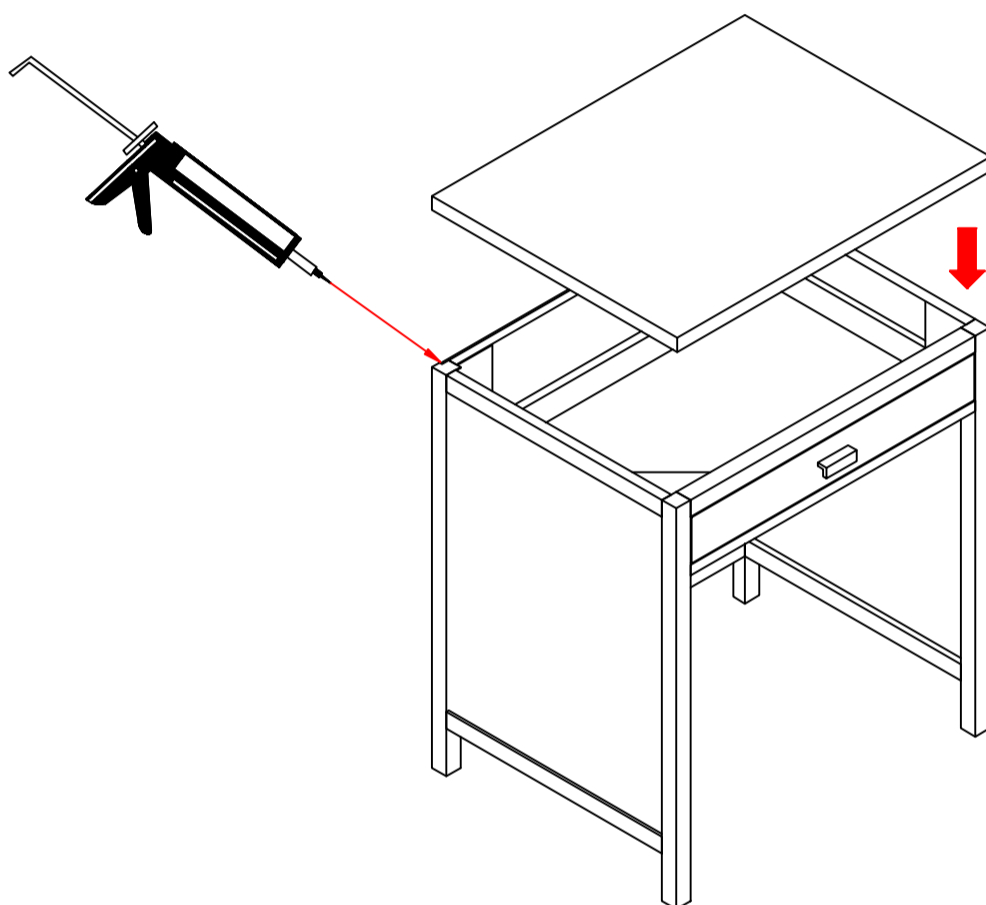
Addison 30" Free Standing Countertop Unit (makeup counter): E444-CU30-MCA

Assembly / Installation Instructions

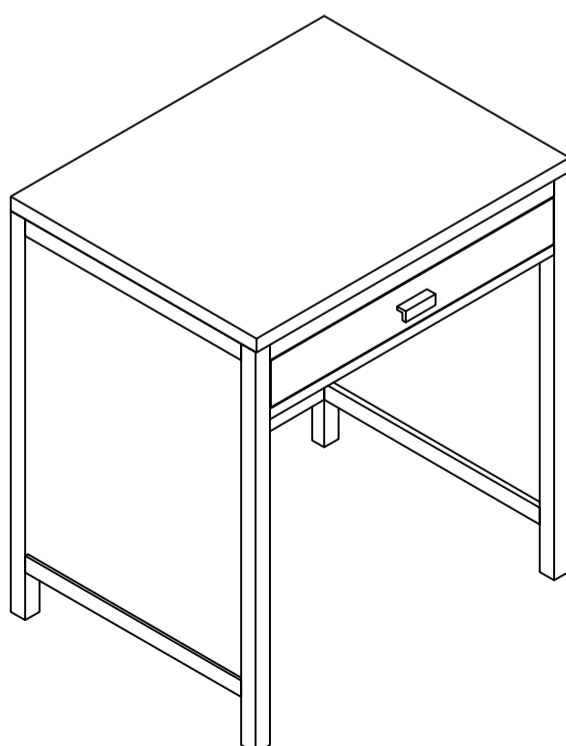
Materials  
for  
Installation:



For your safety and to achieve the best possible installation of this vanity cabinet, James Martin Vanities always recommends you consult with a professional contractor. Two people are required for the assembly and installation of these cabinets.



**Step 1 Notes:**  
Properly align and secure the countertop to the cabinet with high quality adhesive.



**Step 2 Notes:**  
Please move the cabinet into the final position, you can use the cabinet against a side wall (corner) or use the cabinet as a free-standing item, you also can pair with a E444-H12L-MCA and a E444-H12R-MCA or a E444-H15L-MCA and a E444-H15R-MCA.