

Basket 551G

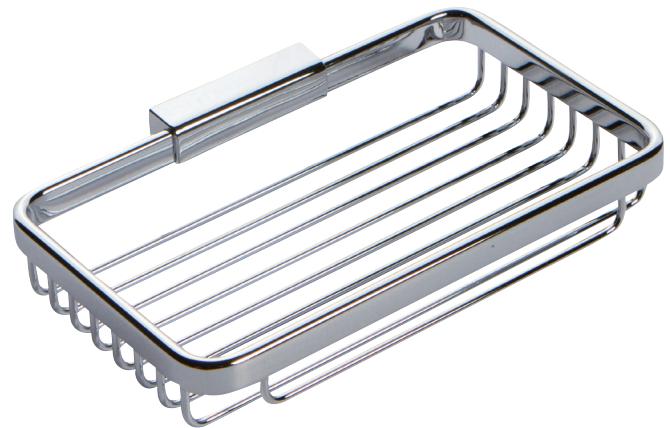
Features

- Solid brass frame
- Basket extends approximately 5-1/16" from the wall
- Basket has a running length of approximately 7-7/8"

Codes / Standards Compliance

Meets or exceeds the following at date of manufacture:

- All applicable US Federal and State material regulations



Colors / Finishes

- PC: Polished Chrome
- SN: Satin Nickel

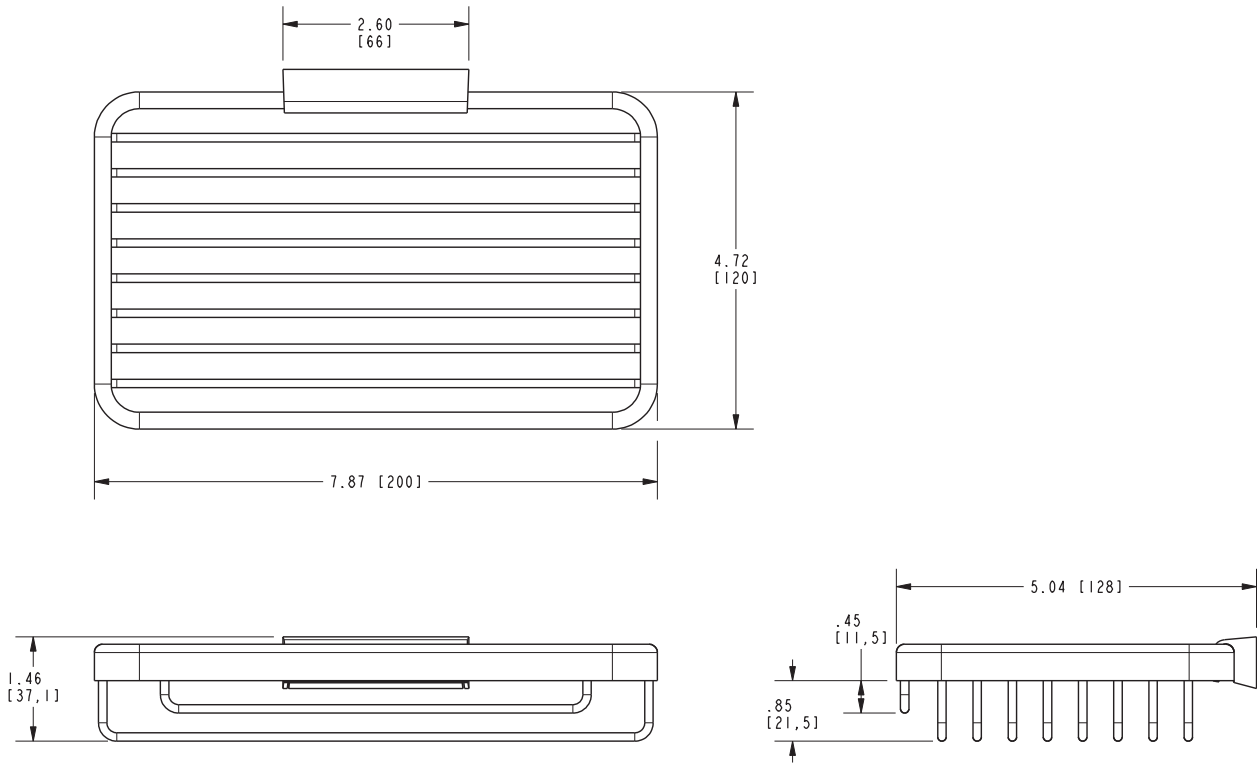
Specified Model

Model	Description	Colors Finishes
551G	Long Basket	<input type="checkbox"/> PC <input type="checkbox"/> SN

Product Specification: Add "Color / Finish" Suffix to Model Number Below

The Basket shall be of solid brass construction. Basket Shelf shall incorporate a projected depth of approximately 5-1/16" from the wall a running length of approximately 7-7/8". Basket shall be Ginger Model 551G/____ .

551G



Hotelier Basket 551G

GINGER