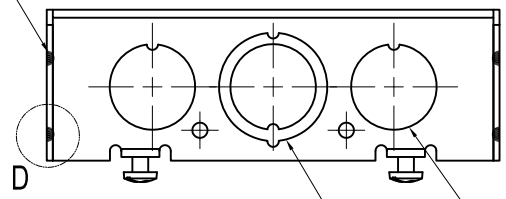


SIDES	BOTTOM
8 1/2" KNOCKOUTS	
4 1/2"-3/4" KNOCKOUTS	
2 PCS 8-32×1/2 Screws Installed	
Material: Steel-0.0625"-G60 Galvanized	

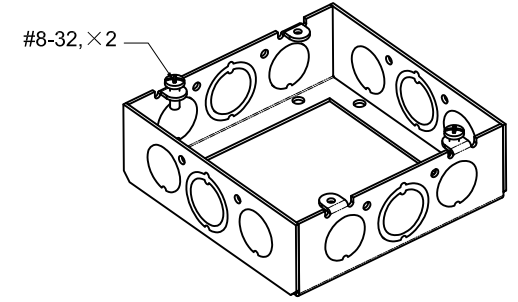
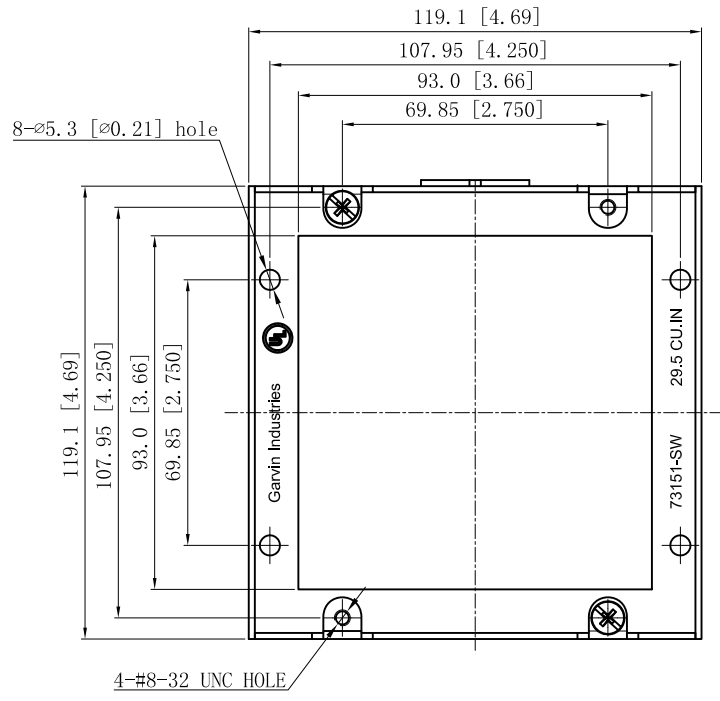
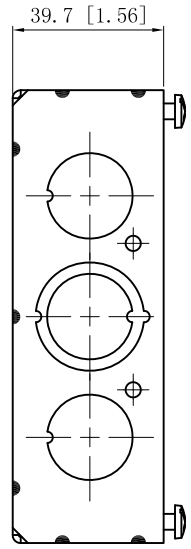
14 PLACES SPOT WELDING



WELDING STYLE DETAIL VIEW D



8 1/2" KNOCKOUTS $\phi=22.5$ [$\phi=0.886$]
 4 1/2"-3/4" MOON KNOCKOUTS $\phi=22.5$ [$\phi=0.886$]
 $\phi=28.5$ [$\phi=1.122$]



DESCRIPTION
TRADE REFERENCE TERMS

This data sheet is for reference only. GARVIN INDUSTRIES reserves the right to make changes to the design without prior notice.

STANDARD PACKING	GARVIN INDUSTRIES		
	TITLE 4-11/16" SQUARE BOXS & EXTENSION RINGS (1-1/2")		
25 PCS	SIZE	DWG NO.	REV
	A4	73151-SW	B
DATA SHEET			