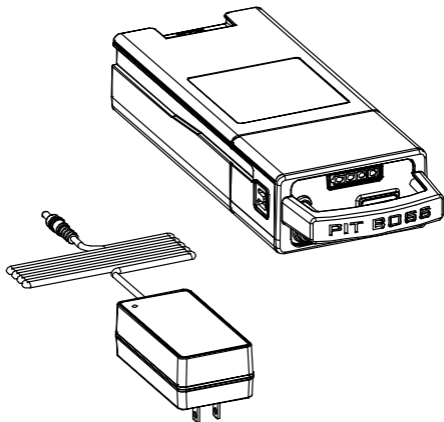




90051

PIT BOSS®



Battery Pack and Charger Kit

14.8V 10AH

DC 16.8V 2A



WARNINGS

- This charger is not intended for use by persons with reduced physical, sensory or mental capabilities, or lack of experience and knowledge, unless under direct supervision.
- Do not allow children to operate the charger unsupervised. Keep out of reach of children. The battery-loaded appliance can not exceed 120W. Overloading may cause no output or damage to the battery.
- Only use the original provided charger to charge. This will also prolong the life of the battery.
- Do not disassemble the charger. It should only be serviced or repaired by qualified service personnel.
- Keep the battery from flammable, explosive, or corrosive materials while charging.
- Never operate a charger with a damaged cord or plug. Inspect both input and output cords for any damage before using the charger.
- Do not put the battery in a fire, or heat the battery, do not store the battery in high temperature.
- Indoor use only. Do not expose charger to rain, snow, water, or excessive moisture.

- Never charge a frozen battery.
- Place the battery in a well-ventilated area during charging.
- Do not reverse the positive and negative terminals when installing the battery to the unit.
- Avoid touching the metal connection on the battery with any metal object.
- It may cause a short circuit and possibly injury.

FCC COMPLIANCE STATEMENT

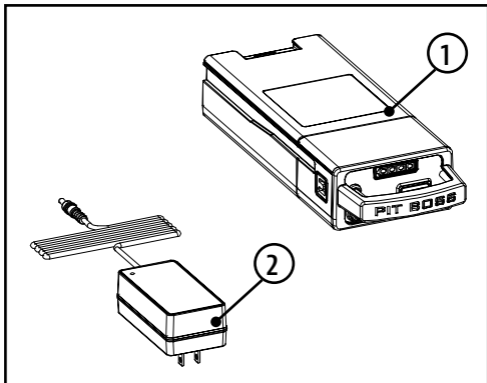


This device complies with Part 15 of FCC Rules. Operation is subject to the following two conditions: (1) This device may not cause harmful interference, and (2) This device must accept any interference received, including interference that may cause undesired operation. This equipment complies with FCC radiation exposure limits set forth for an uncontrolled environment. This equipment should be installed and operated with a minimum distance of 20cm between the radiator and your body. This transmitter must not be co-located or operating in conjunction with any other antenna or transmitter. This equipment has been tested and found to comply with the limits for a Class B digital device, pursuant to part 15 of FCC Rules. These limits are designed to provide reasonable protection against harmful interference in a residential installation. This equipment generates, uses, and can radiate radio frequency energy and, if not installed and used in accordance with the instructions, may cause harmful interference to radio communications. However, there is no guarantee that interference will not occur in a particular installation.

If this equipment does cause harmful interference to radio or television reception, which can be determined by turning the equipment off and on, the user is encouraged to try to correct the interference by one or more of the following measures:

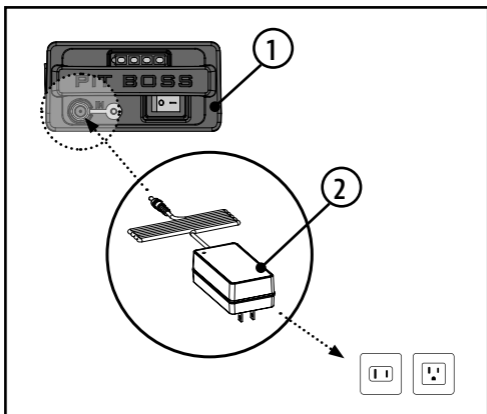
- Reorient or relocate the receiving antenna.
- Increase the separation between the equipment and receiver.
- Connect the equipment into an outlet on a circuit different from that to which the receiver is connected.
- Consult the dealer or an experienced radio/TV technician for help.

CAUTION: The user is cautioned that changes or modifications not expressly approved by the party responsible for compliance could void the user's authority to operate the equipment.



SPECIFICATIONS

CAPACITY	10000mAh 148Wh
CHARGER KIT	16.8V
NOMINAL CHARGE	14.8V
MAX CHARGE	16.8V
CHARGE TEMP RANGE	0-45°C (32-113°F)
DISCHARGE TEMP RANGE	-20-60°C (4-140°F)



BATTERY LEVEL INDICATOR



0-5% Power



5-25% Power



25-50% Power



50-75% Power



75-100% Power

CHARGING

The battery charger is dedicated to recharging the battery pack only. Before charging the battery, read all instructions and cautionary markings on the battery pack.

Follow these steps to charge or recharge the battery pack:

1. Pull the battery pack from the unit's battery port.
2. Plug the battery charger into the battery pack charge port (front of battery pack).
3. Plug the battery charger into an appropriate power source.
 - Recharging starts automatically. The light will turn red when the battery has less than 5% charge. The first light on the battery level indicator will turn green when it reaches 5-25% charge.
 - When the battery is fully charged, all the lights on the battery level indicator will be green.

The battery pack can be left connected to the battery charger indefinitely. The battery charger will keep the battery pack fresh and fully charged. It takes approximately seven hours to completely recharge a fully exhausted battery at standard indoor room temperature (23°C / 73°F). Recharging at extreme hot or cold temperatures will take longer.

IMPORTANT: Disconnect the battery charger before placing the battery back into the unit. Battery will discharge if it is disconnected from a power source or not used for an extended period of time.

If a problem arises, see troubleshooting or contact Customer Care.

TROUBLESHOOTING

PROBLEM	CAUSE	SOLUTION
No power lights or one red light on the battery pack	Battery drained or has low power	Remove the battery from the unit. Connect the Battery Charger to the battery. The first light will light will turn green when it is 25% charged. If it doesn't light after two hour, contact Customer Care.

WARRANTY

Pit Boss® Grills ("Pit Boss®"), manufactured by Dansons, carries a 1 year warranty on the battery pack and battery charging components. Dansons warrants that all parts to be free of defects in material and workmanship, under normal use and conditions, for the length of use and ownership by the original purchaser.

There is no other or additional warranty applicable to this product.

This warranty does not apply:

- if unable to provide proof of the purchase or after the warranty has expired.
- to damages or defects from wear and tear, such as scratches, dents, dings, chips, or minor cosmetic cracks. These aesthetic changes of the product do not affect its performance.
- if your product has not been installed, operated, cleaned, and maintained in strict accordance with the accompanied product manual. The warranty does not cover damage or breakage due to misuse, improper handling, or custom modifications.

- to damages or defects occurring during commercial use, rental use, or any use for which the product is not intended.
- to damages or defects exceeding the cost of the product.
- to damages or defects caused by service or repair of the product by an unauthorized dealer of Pit Boss®.

Dansons does not accept responsibility, legal or otherwise, for the incidental or consequential damage to the property or persons resulting from the use of this product, during or after the warranty period. All warranties by manufacturer are set forth herein and no claim shall be made against manufacturer on any warranty or representation. Some states do not allow the exclusion or limitation of incidental or consequential damages, or limitations of implied warranties, so the limitations or exclusions set forth in this limited warranty may not apply to you. This limited warranty gives you specific legal rights and you may have other rights, which vary from state to state.



USA

8877 N Gainey Center Dr,
Scottsdale, AZ 85258
480-923-9630

CANADA

15110 Yellowhead Trail NW,
Edmonton, AB T5V 1A1
877-942-2246



██████████
602230203UMV

©2023 DANSONS US, LLC
www.pitboss-grills.com