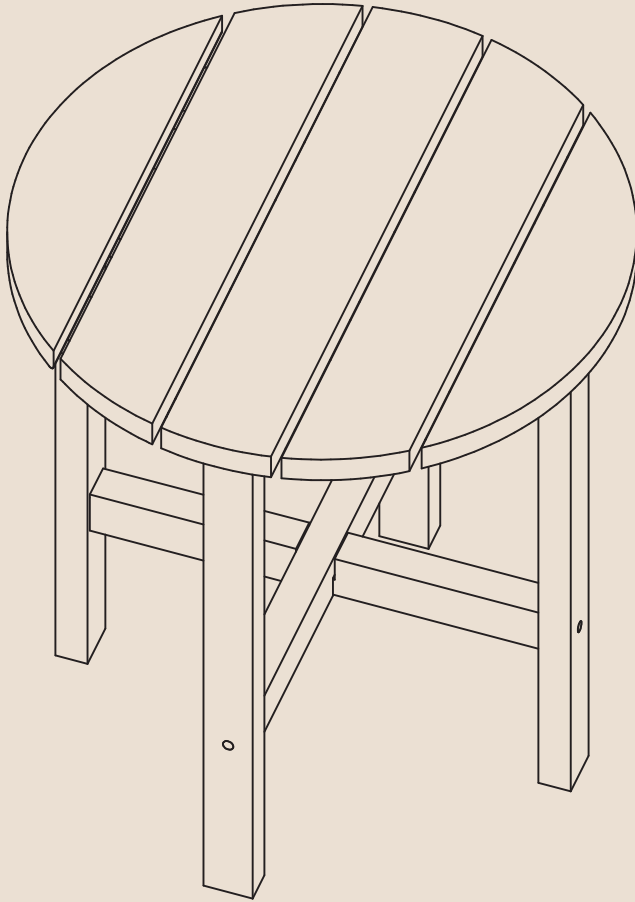


WWT
WESTINTRENDS
WWT

DESIGNED IN CALIFORNIA



— ROUND 18" SIDE TABLE —

THANK YOU!

We appreciate you for choosing WestinTrends!

Thank you for letting WestinTrends continue to offer accessible luxury trends, inspired by everyone!

JOIN THE WESTINTRENDS COMMUNITY

Sign up here:

[*https://westintrends.com/welcome*](https://westintrends.com/welcome)



QUESTIONS OR COMMENTS?

If you have questions reach out to
cs@westintrends.com

FOLLOW, SHARE, & LEARN



PRODUCT REGISTRATION

[*https://westintrends.com/apps/product-registration*](https://westintrends.com/apps/product-registration)



ACCESSIBILITY - COMMUNITY - VALUE - SUSTAINABILITY

! NOTICE

Do not overtighten bolts. (Insert all bolts before tighten bolts.)

- Please do not exceed the weight limitations of this item.
- Do not stand on or use any part of this item as a step ladder.
- Firmly secure all bolts, screws and nuts before use.
- Reconfirm that all bolts, screws, and nuts are secure every 90 days.
- Do not use or store this item in the proximity of open flame or flammable/combustible chemicals.
- Be aware that some parts are heavy and have sharp edges.

TOOLS REQUIRED



TABLE
180 LBS
CAPACITY



1 PERSON
ASSEMBLY



UP TO 15 MIN.
ASSEMBLY

HARDWARE

1

BOLT
M6 x 40mm



8 PCS

2

ALLEN
WRENCH

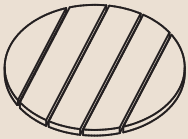


1 PC

PARTS

A

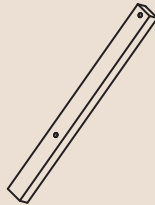
TABLE TOP



1 PC

B

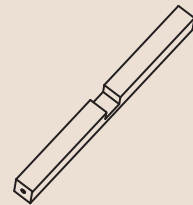
TABLE LEG



4 PCS

C

CROSS FEET

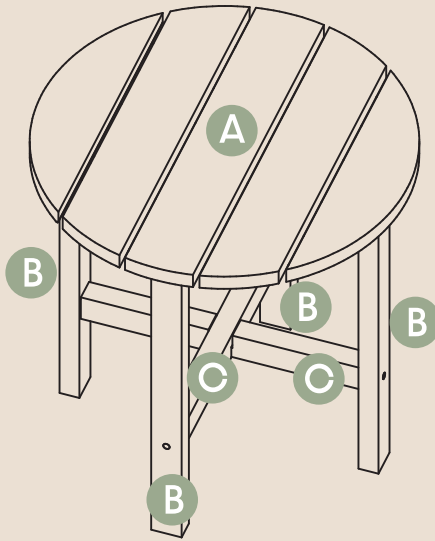


2 PCS

PRODUCT ASSEMBLY - OVERALL VIEW

1

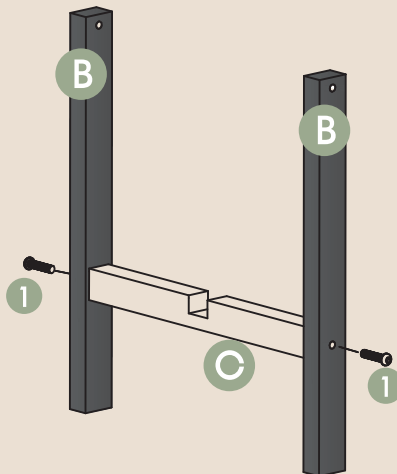
Look at following overall view of this table and learn the exact position of each parts to be assembled.



PRODUCT ASSEMBLY

1

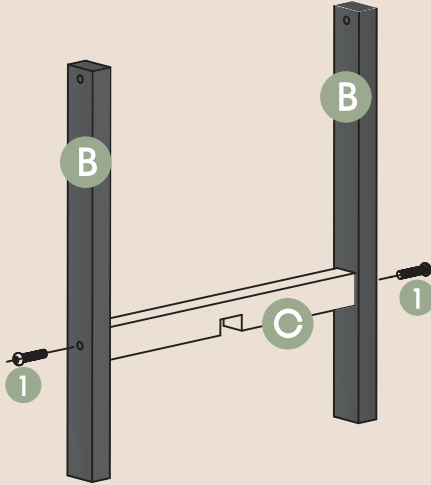
Attach **Part C Cross Feet** to 2 pcs of **Part B Table Leg** with 2 pcs of **Hardware #1 Bolt** as shown below.



PRODUCT ASSEMBLY

2

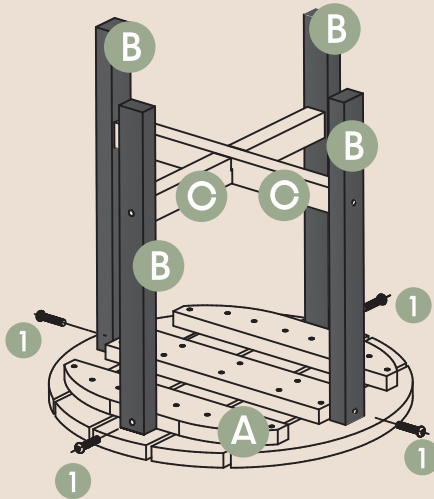
Attach **Part C Cross Feet** to 2 pcs of **Part B Table Leg** with 2 pcs of **Hardware #1 Bolt** as shown below.



3

Cross the parts from step 1 and step 2, then attach 4 pcs of **Part B Table Leg** to **Part A Table Top** with 4 pcs of **Hardware #1 Bolt**.

Check and tighten all the bolts and screws again and finish the assembly.



REGISTRATION & REFUND POLICY

<https://westintrends.com/apps/product-registration>



<https://westintrends.com/policies/refund-policy>



HAVING TROUBLE

Not sure how to assemble or missing pieces?

Please contact our Customer Service Team for assistance at cs@westintrends.com

Have Order #, Part # or SKU ready to speed up customer service!

CLEANING TIPS

REGULAR CLEAN: Use a mixture of warm water and mild soap. Gently scrub the surface with a soft bristle brush to remove any dirt or stains.

QUICK CLEAN: You can simply wipe down the HDPE furniture with a damp cloth. The material's resilience makes it resistant to most spills and stains, ensuring a hassle-free maintenance routine.

Regular cleaning not only preserves the aesthetic appeal of your furniture but also helps extend its lifespan.

Pressure washer can be used for seriously deep-cleaning - **DO NOT exceed 1500 PSI** - this will remove debris and dirt.