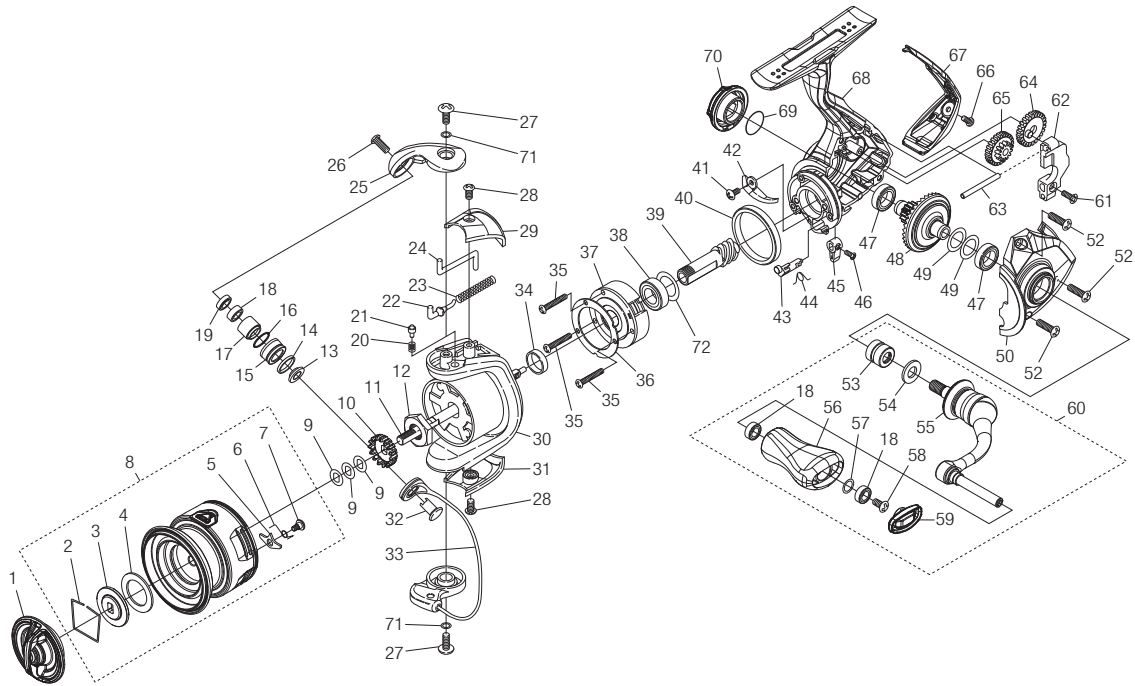


SHIMANO

VANFORD

VF500A



(51SF821A05X)

Please note that the number of adjusting washers may not be the same as shown in the exploded views.
(Adjustment will vary with each individual product.)

#	Part No.	Description	#	Part No.	Description	#	Part No.	Description
1	146GQ	Drag Knob Assembly	27	10TLM	Screw	54	100RR	Washer
2	10MZN	Drag Washer Retainer	28	10SH9	Screw	55	1488C	Handle Shank Assembly
3	146T5	Key Washer	29	10DGX	Bail Spring Cover	56	14285	Handle Knob
4	10R4W	Drag Washer	30	146F8	Rotor	57	104FH	Washer
5	10BWZ	Drag Click	31	10DH0	Bail Hold Support Guard	58	10LFA	Screw
6	10JX8	Drag Click Spring	32	10T2U	Line Roller Support	59	14286	Handle Knob Seal
7	10PH4	Screw	33	1488B	Bail Assembly	60	1488F	Handle Assembly
8	1488E	Spool Assembly	34	10HB7	Rotor Ring	61	10MGL	Screw
9	10BXN	Spool Washer	35	10L1Z	Screw	62	104WG	Oscillating Slider
10	103MX	Spool Support	36	10AEX	Roller Clutch Reinforce	63	10QWH	Oscillating Guide
11	10S85	Main Shaft	37	10QPH	Roller Clutch Assembly	64	10QWF	Oscillating Gear
12	1080V	Rotor Nut	38	10DZB	Ball Bearing	65	10QWJ	Idle Gear B Large
13	10TJM	Spacer	39	10QWG	Pinion Gear	66	10RX2	Screw
14	10RFZ	Line Roller Spacer	40	10D7P	Friction Ring	67	10SGA	Rear Protector
15	1009A	Line Roller	41	10LCS	Screw	68	1488D	Body Assembly
16	1009E	O Ring	42	10D8Z	Bail Trip Strike	69	10E3K	O Ring
17	1009K	Line Roller Bushing	43	10DC5	Anti Reverse Cam	70	144RK	Handle Screw Cap
18	104VX	Ball Bearing	44	10DCS	Anti Reverse Cam Spring	71	10HE5	Washer
19	10E44	Line Roller Collar	45	10FPW	Anti Reverse Lever	72	10HHQ	Washer
20	10CH0	Click Spring	46	10SUK	Screw			
21	106UX	Click Pin	47	107FA	Ball Bearing			
22	105LS	Bail Spring Guide A	48	142TH	Drive Gear			
23	10SQ8	Bail Spring	49	101AY	Washer			
24	10FAZ	Bail Trip Lever	50	146FB	Side Cover			
25	146FA	Bail Arm	52	10SHA	Screw			
26	10TLJ	Screw	53	100AV	Handle Shaft Cover B			