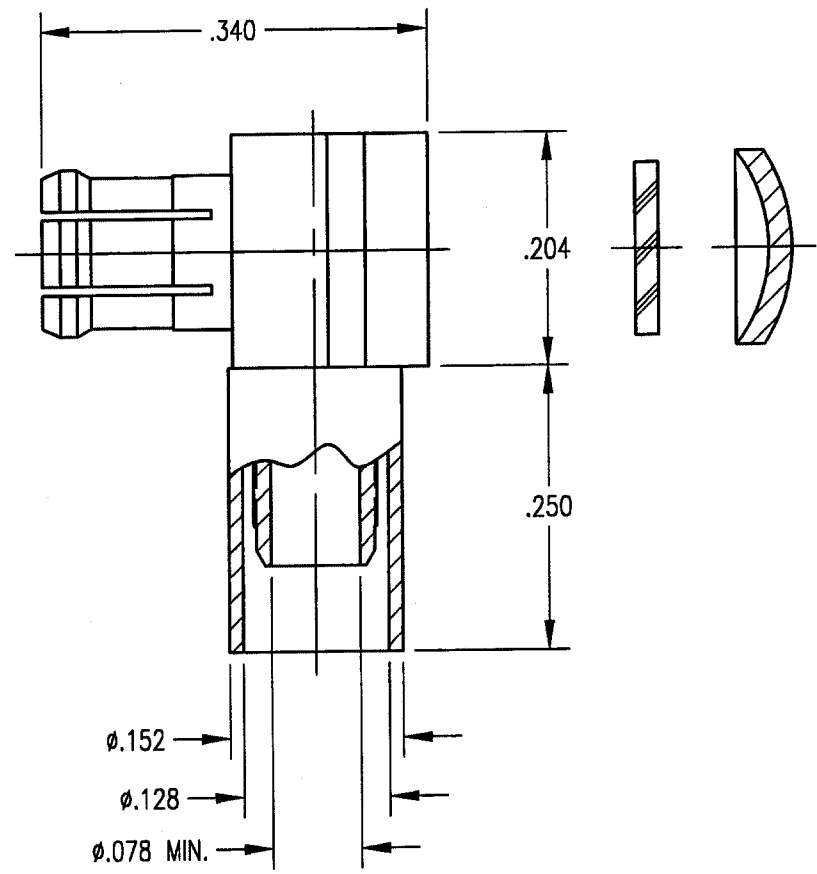
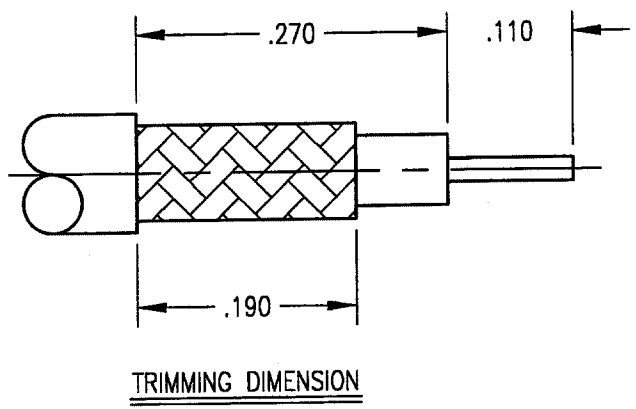


DWG. NO.		452-900-0750N	
REV	DESCRIPTION	DATE	APPRO
B	NPR 1697	2/28/00	JWH



NOTES:

- MATERIAL:  
 INSULATOR: TEFLON PER ASTM D1710  
 OUTER CONTACT: BERYLLIUM COPPER PER ASTM B196  
 BODY, FERRULE, AND CENTER CONTACT: BRASS PER ASTM B16
- FINISH:  
 CENTER CONTACT: .000030 MIN. GOLD PER MIL-G-45204 OVER  
 .000050 MIN. NICKEL PER QQ-N-290  
 ALL OTHER MATEL PARTS: .000100 MIN. NICKEL PER QQ-N-290 OVER  
 COPPER FLASH
- FOR ASSEMBLY USE CAP 9-09 WITH ABOVE TRIMMING DIMENSION.

PER ASME Y14.5M-1994 UNLESS OTHERWISE SPECIFIED: DIMENSIONS ARE IN INCHES (MM)				<b>Litton</b>	
TOLERANCES: DECIMALS .XX ± .01/0.254 .XXX ± .005/0.127 ANGLES ± 2°				Winchester/Retconn 400 Park Road Wolcott, Connecticut 06785	
CUSTOMER DRAWING		TITLE		MCX R/A CABLE PLUG	
DRAWN	DATE	CHECKED	DATE	SCALE: 6:1	
JWH	2/28/00	[Signature]	2/28/00		
APPROVED	DATE	APPROVED	DATE		
[Signature]	2/28/00	[Signature]	2/28/00		
A				452-900-0750N	SHT. OF REV.
				1	1 B