



180 BREAKAWAY RIM

MODEL NO.  
**B2609W**

**PRE-ASSEMBLY TIPS**

1. **Read this manual carefully before starting assembly.** Read each step completely before beginning each step.
2. **Do not tighten until instructed to do so.** If parts are tightened too soon, parts may not easily fit together. Leave nuts slightly loose until you are instructed to tighten them.
3. **Save these instructions and your proof of purchase (receipt) in the event that the manufacturer has to be contacted for replacement parts.**

**TOOLS NEEDED FOR ASSEMBLY:**

- 9/16" Wrench or Ratchet with 9/16" socket
- Phillips Screw driver
- Ladder
- Level



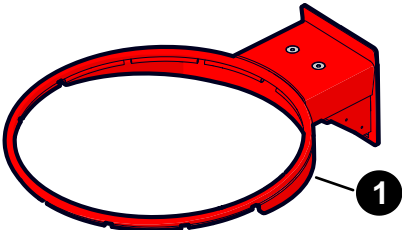
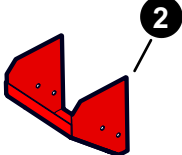
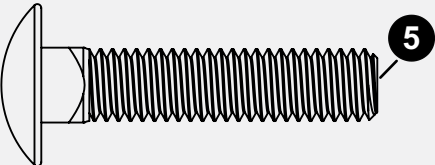

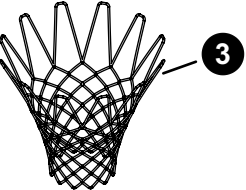
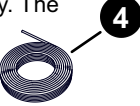
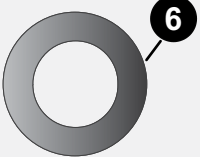
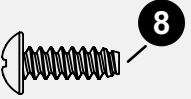
**Please Do Not Return This Product To The Store!**

Contact Escalade® Sports customer service department at:

Phone: 1-800-USA-GOAL Toll - Free!  
 Fax: 1-866-873-3536 Toll - Free!  
 E-mail: basketball@escaladesports.com

**Escalade Sports**

**Physical Location:** 817 Maxwell Ave. Evansville, IN 47711  
**Mailing Address: (Correspondence Only)** PO Box 889 Evansville, IN 47706

PARTS LIST (NOT ACTUAL SIZE)		INCLUDED HARDWARE (ACTUAL SIZE)	
 <p><b>GOAL ASSEMBLY</b> 6A-7825-00 (QTY. 1)</p>	 <p><b>RIM COVER PLATE</b> 2S-9467-00 (QTY. 1)</p>	 <p>3/8-16 X 1 3/4" CARRIAGE BOLT 1B-6782-10 (QTY. 4)</p>	 <p>3/8-16 LOCKNUT 2B-6238-10 (QTY. 4)</p>
 <p><b>NET</b> 3F-6010-00 (QTY. 1)</p>	<p><b>NOTE:</b> Only one Net Cable is needed for assembly. The second Net Cable is provided as a spare.</p>  <p><b>NYLON NET CABLE</b> 2M-6915-00 (QTY. 2)</p>	 <p>3/8 X 19MM FLAT WASHER 2B-6289-10 (QTY. 4)</p>	 <p>#8 X 1/2" THREAD FORMING SCREW 1B-6238-01 (QTY. 4)</p>



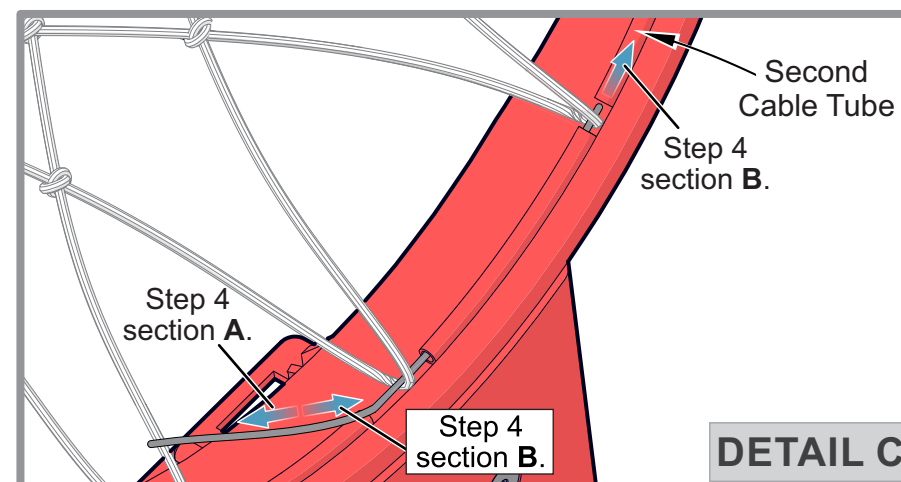
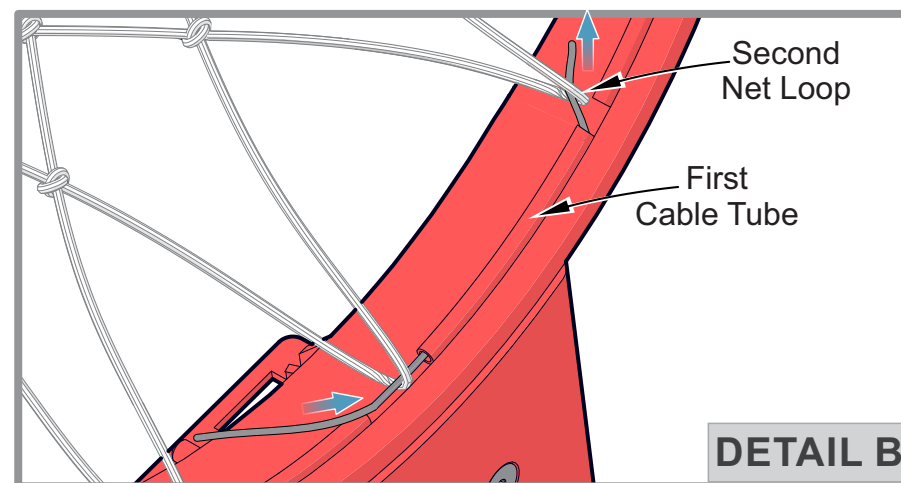
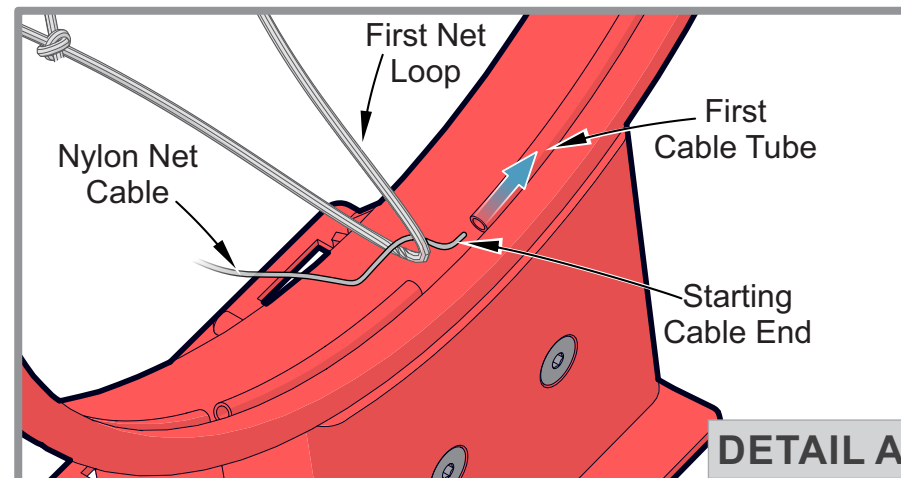
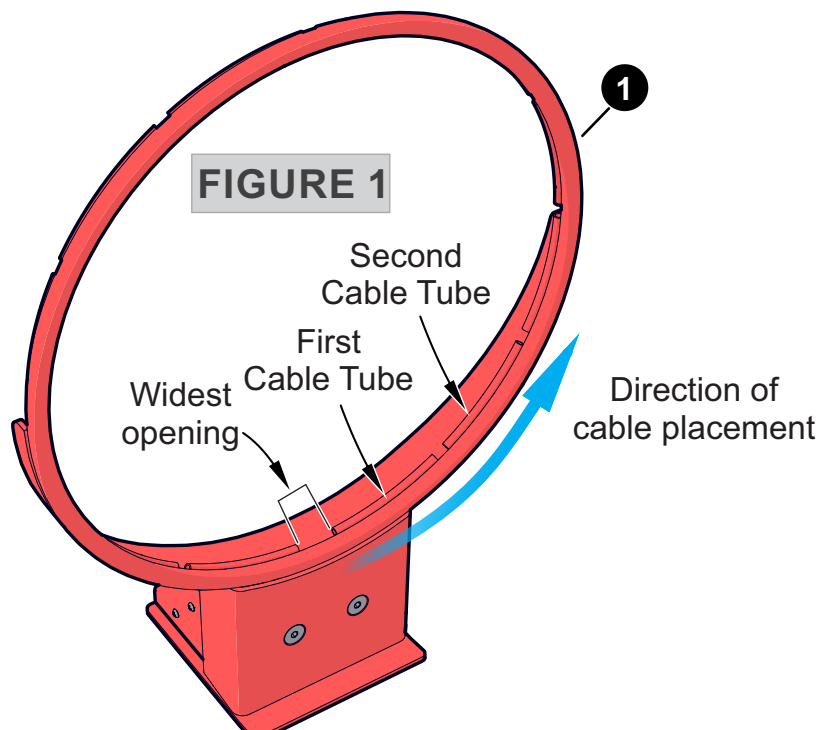
Escalade® Sports products may be manufactured and/or licensed under the following patents.  
 6120397, 5816957, 5769744, 5119741, 4911085, 4717157, D460140, D420563, 8414431  
 Additional patents may be pending. One or more of the listed patents and/or pending patents may cover specific product.

2L-7953-02

2021 Escalade® Sports

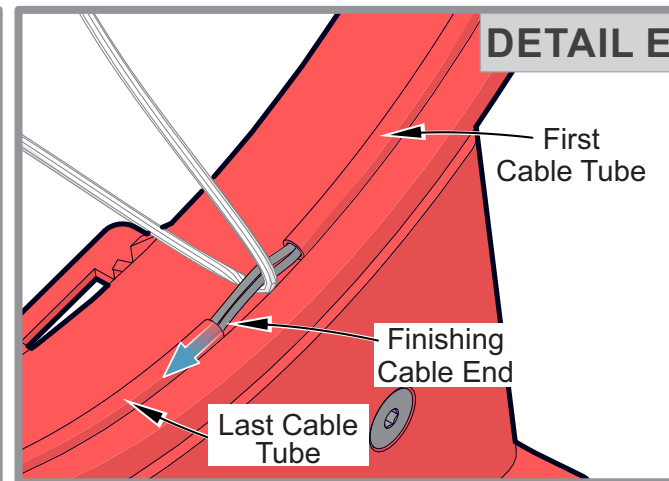
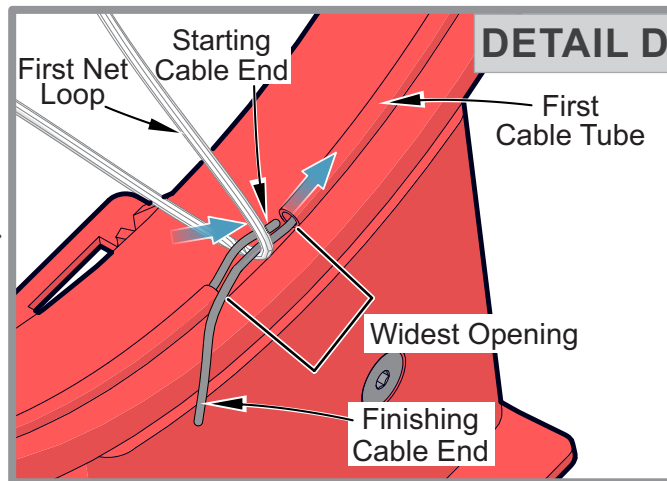
## Attaching net to the rim.

1. Place the Rim on a table upside down and take note of where the **widest opening** is located. See **Figure 1**.
2. Insert the Nylon net cable into the **first net loop** and then into the **first cable tube** located at the widest opening on the rim. See **Detail A** and **Figure 1**.
3. Keep feeding the cable until it comes out the other side of the first tube leaving plenty of cable for the second loop in the net. See **Detail B**.
4. Insert cable through **second net loop**.
  - A. Then pull the cable back so that the end of the cable is close to the **second cable tube**.
  - B. Insert the cable into the **second cable tube**. See **Detail C**.
5. Keep working your way up counter clockwise and repeat steps until you feed the cable through all the **loops** in the net and the **cable tubes**. Both cable ends should be visible at the **widest opening** on the rim. Continue to **step 6** on the **next page**.



## Attaching net to the rim - continued

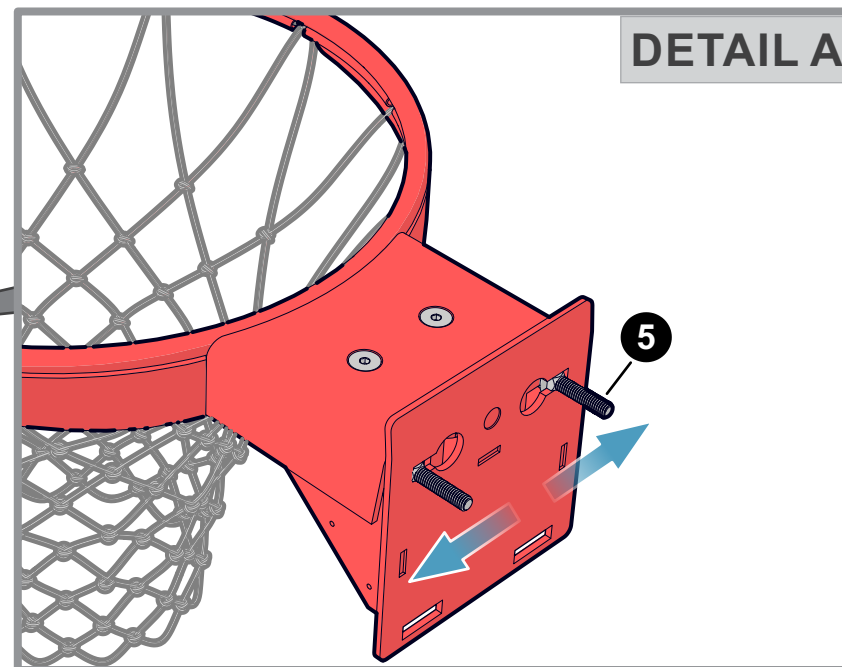
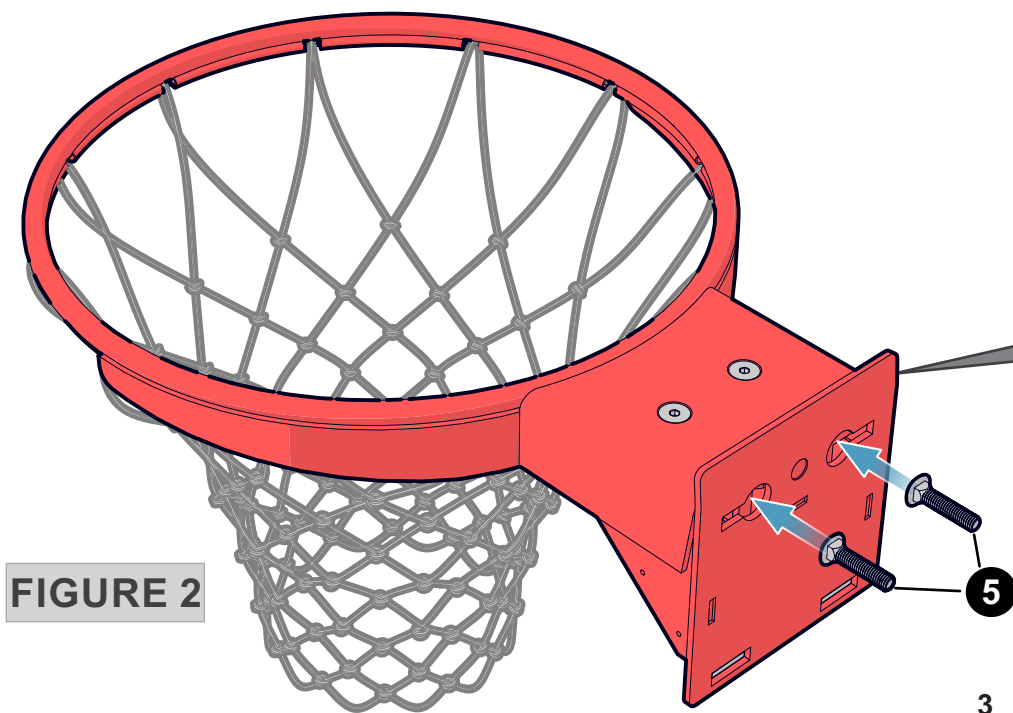
6. Insert the **starting cable end** through the **first net loop** and into the **first cable tube** again until cables are overlapping in the tube. See **Detail D**.
7. To secure the net in place insert the **finishing cable end** into the **last cable tube**. See **Detail D & Detail E**.



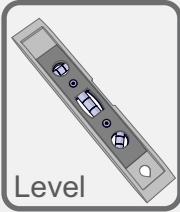
## Inserting top Carriage Bolts to top rim slots.

1. Insert the **top Carriage Bolts (#5)** into the carriage bolt holes located at the back of the rim. See **Figure 2**.

2. Slide the Carriage Bolts (#5) in the slot next to the top holes. Carriage Bolts should stay in place to aid installation on the next step. See **Detail A**.



## TOOLS NEEDED



**INSTALL RIM EXACTLY AS SHOWN. FAILURE TO DO SO COULD DAMAGE GLASS.**

**FIGURE 3**

### Mounting Goal Assembly to the backboard.

1. Lift the rim up to the backboard with the **top Carriage Bolts (#5)** installed in the previous step and slide them into the holes in backboard as show in **Detail A**. While still holding the rim up from the front reach around behind the rim and attach the Washers (#6) and Nuts (#7). See **Detail A & Figure 3**.

**NOTE:** Tighten top nuts (#7) but leave loose enough to level Rim.

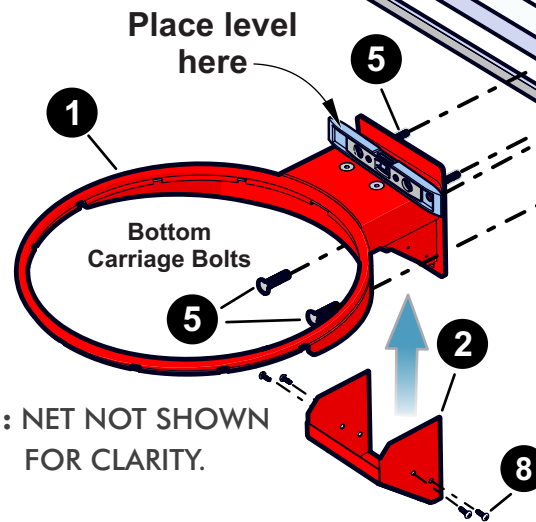
2. Insert the two **bottom** carriage bolts and attach washers and nuts. See **Figure 3**.

**NOTE:** Tighten bottom nuts (#7) but leave loose enough to level Rim.

3. Place Level across the Goal Assembly (#1) and adjust until level. Finish tightening the four (#7) nuts until Goal Assembly is secure.
4. Attach Rim Cover Plate **7B** with four screws (#8).



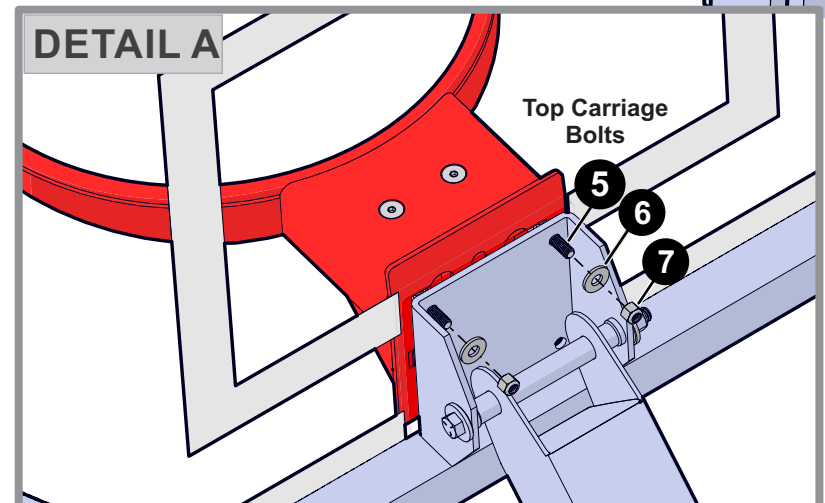
**NEVER LOOSEN ANY NUTS OR BOLTS THAT HOLD THE SPRING IN PLACE! THESE ARE UNDER SPRING LOAD AND COULD CAUSE DAMAGE TO PRODUCT/INJURY TO USER.**



**NOTE:** NET NOT SHOWN FOR CLARITY.



**NEVER USE RIM WITH COVER PLATE REMOVED!**



## **1 YEAR LIMITED WARRANTY**

**WARRANTY COVERAGE:** Escalade® Sports warrants to the original Consumer Purchaser that any Product of its manufacture is free from defects in material and workmanship. THIS WARRANTY IS VOID IF THE PRODUCT HAS BEEN DAMAGED BY ACCIDENT, UNREASONABLE USE, NEGLIGENCE, IMPROPER SERVICE, FAILURE TO FOLLOW INSTRUCTIONS PROVIDED WITH THE PRODUCT OR OTHER CAUSES NOT ARISING OUT OF DEFECTS IN MATERIAL OR WORKMANSHIP.

### **NOT COVERED BY THIS WARRANTY**

- Any merchandise subjected to abuse, negligence, improper installation, vandalism, acts of God, alteration of product, or any other events beyond the control of Escalade® Sports.

**Contact Escalade Sports Customer Service department at:**

Phone: 1-888-872-4625      Warranty Dept.

Or Write Escalade® Sports at: Escalade® Sports - P.O. Box 889, Evansville, IN 47706 - Attn: Warranty Dept.

Or E-mail us at: [basketball@escaladesports.com](mailto:basketball@escaladesports.com)