





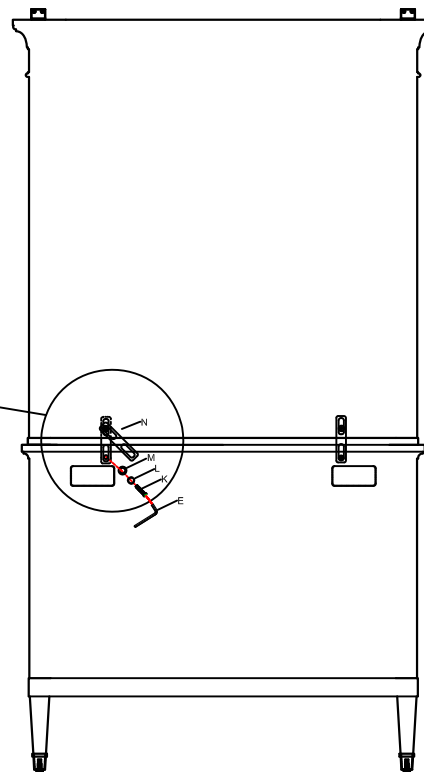
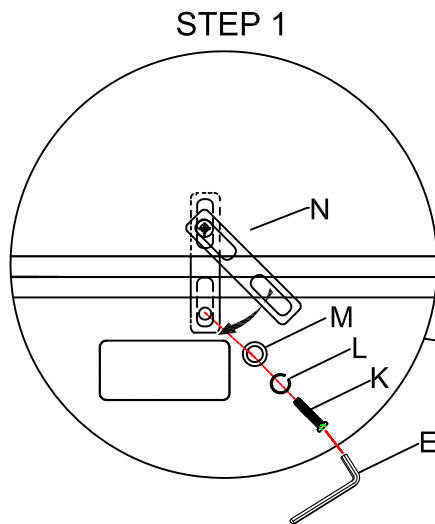


ASSEMBLY INSTRUCTION

ITEM: 6750-90014B-97 Jewelry Armoire Base
6750-90014T-97 Jewelry Armoire Top

Thank you for purchasing this quality product. Be sure to unpack carefully looking for small parts which may have come loose during shipment.
Read all instruction and study the drawing carefully before starting the assembly process.

HARDWARE PACK				
NO.	DRAWING	DESCRIPTION	SIZE	Q'TY
E		Allen Wrench	69*27.2*4mm	1PC
F		Anti-Tip Kit		1PC
G		Screw	1 1/4"	6PCS
H		Flat Washer	1/4"	4PCS
I		Hanger	75*30*38mm	2PCS
J		Plastic Anchor	∅ 9*30mm	2PCS

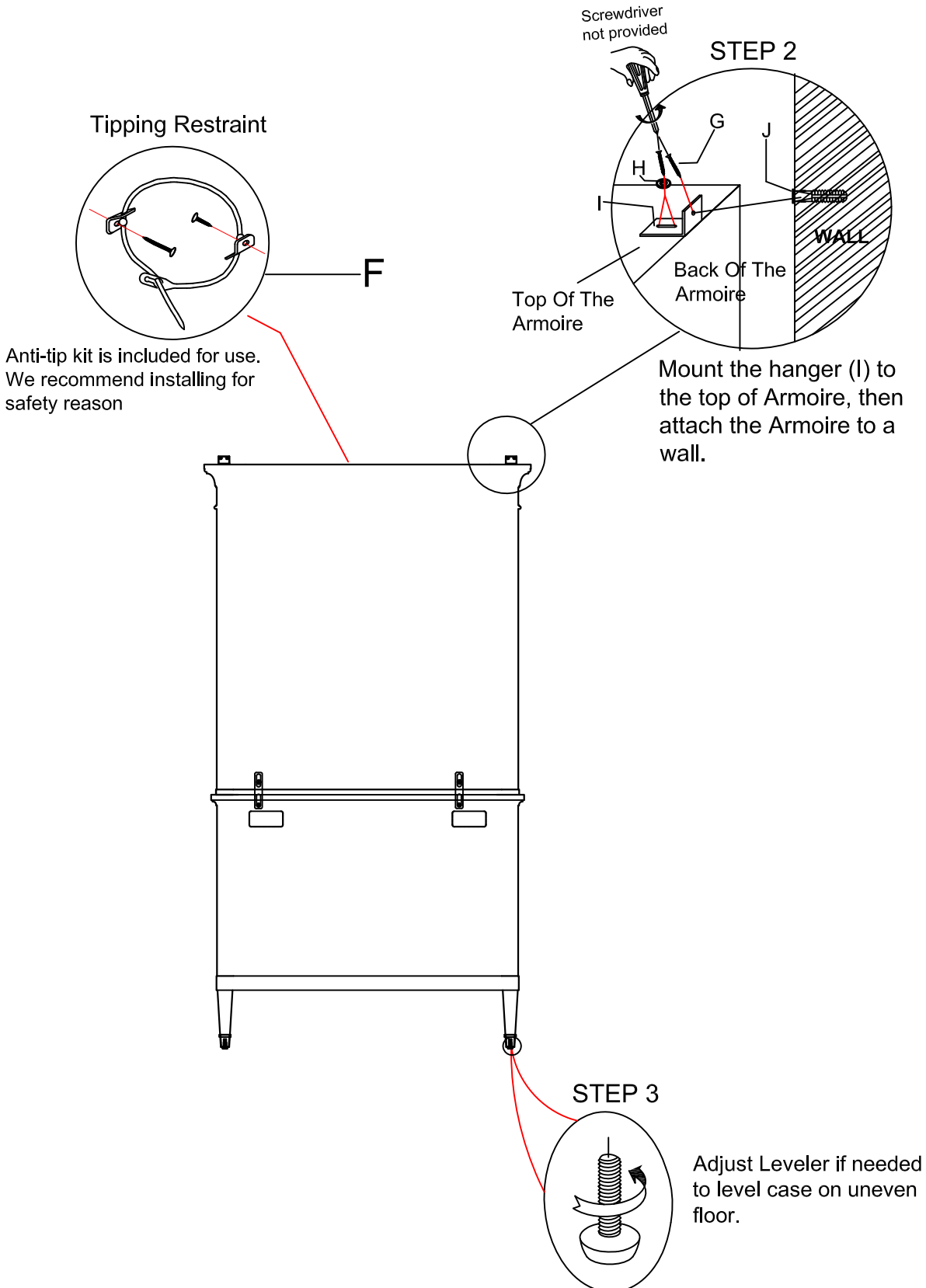


To attach the Armoire Top to Armoire Base, unscrew bolts (K), lock washers (L) and flat washers (M) with allen wrench (E).
Turning the mending plate (N) as the arrow direction and tighten all hardware components.

ASSEMBLY INSTRUCTION

ITEM: 6750-90014B-97 Jewelry Armoire Base
6750-90014T-97 Jewelry Armoire Top

Thank you for purchasing this quality product. Be sure to unpack carefully looking for small parts which may have come loose during shipment.
Read all instruction and study the drawing carefully before starting the assembly process.



Note: Anti-tip kit restraint is provided. Please follow the instructions enclosed with the pack.

ASSEMBLY INSTRUCTION

ITEM: 6750-90014B-97 Jewelry Armoire Base
6750-90014T-97 Jewelry Armoire Top

Thank you for purchasing this quality product. Be sure to unpack carefully looking for small parts which may have come loose during shipment.
Read all instruction and study the drawing carefully before starting the assembly process.

