

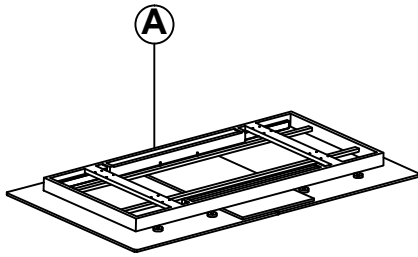
# LUCIA DINING TABLE ASSEMBLY INSTRUCTIONS



## PARTS PACKING CONFIGURATION

BOX #1

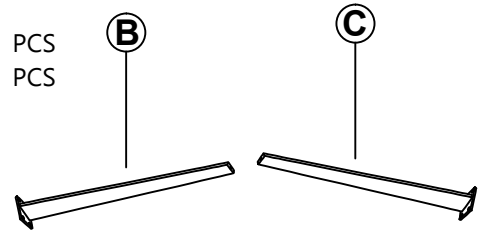
A. TABLE TOP 1 PC



BOX #2

B. LEG B 2 PCS

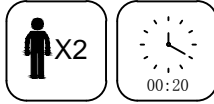
C. LEG C 2 PCS



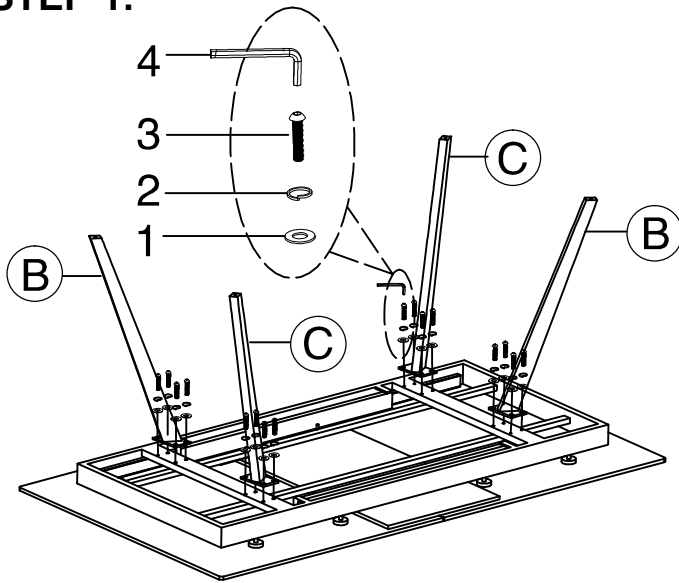
### HARDWARE ENCLOSED IN BOX #2

No	Description	Photo	Quantity
1	FLAT WASHER (5/16 ")		16 PCS
2	SPRING WASHER (5/16 ")		16 PCS
3	ALLEN BOLT ( 5/16" X 1 3/16")		16 PCS
4	ALLEN KEY		1 PC
5	SPANNER		1 PC

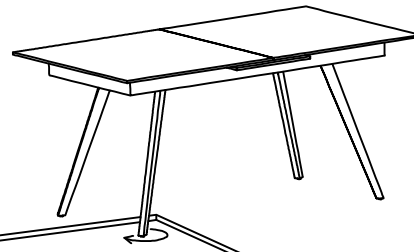
### LUCIA DINING TABLE



### STEP 1:



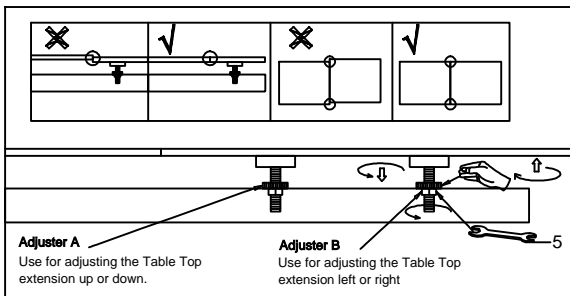
### STEP 2:



IF THE DINING TABLE WOBBLERS DUE TO UNEVEN FLOORING, THE LEVELERS UNDER THE LEGS CAN BE ADJUSTED TO ENSURE STABILITY.

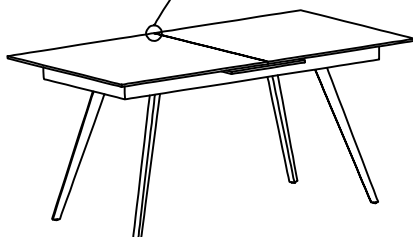
### REMARK 1:

IF THE TABLE TOP HALVES ARE NOT LEVEL AGAINST EACH OTHER, ADJUST AS FOLLOWS.



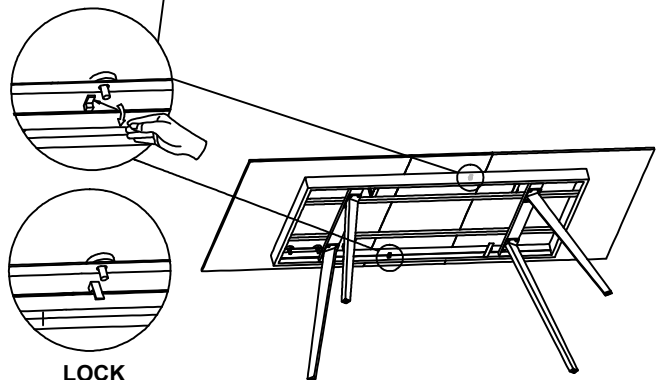
**Adjuster A**  
Use for adjusting the Table Top extension up or down.

**Adjuster B**  
Use for adjusting the Table Top extension left or right



### REMARK 2:

PRESS THE LOCK BELOW SO THAT IT WILL NOT STRETCH AT WILL



LOCK

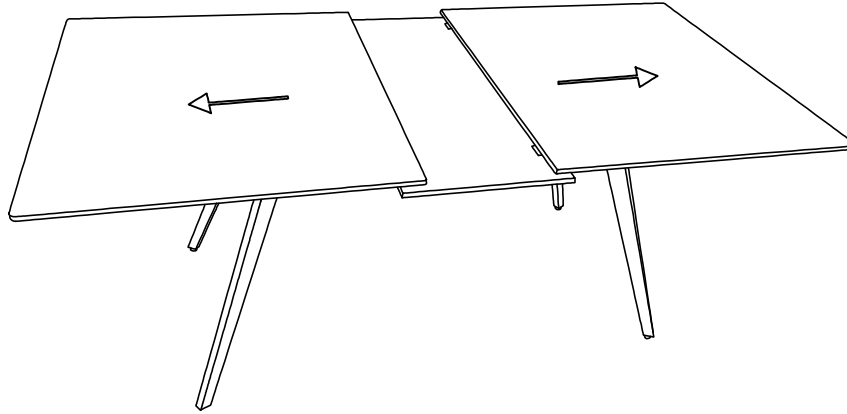
# LUCIA DINING TABLE ASSEMBLY INSTRUCTIONS



## PARTS PACKING CONFIGURATION

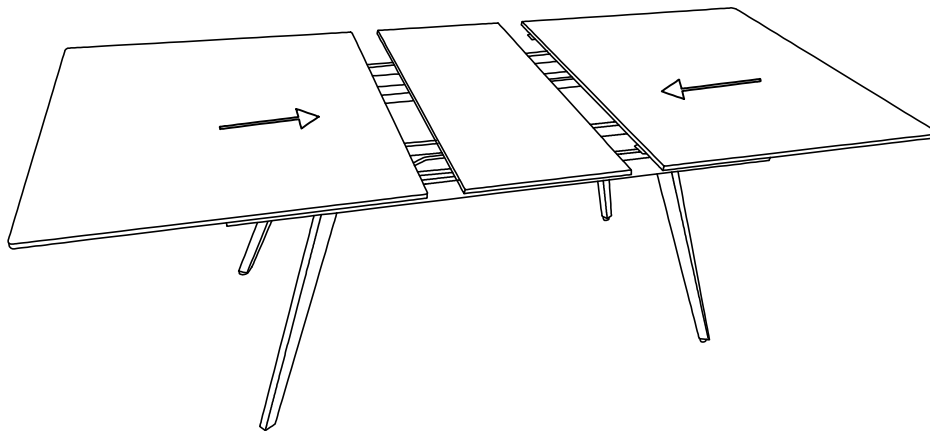
### HOW TO EXTEND THE DINING TABLE

#### STEP 1:

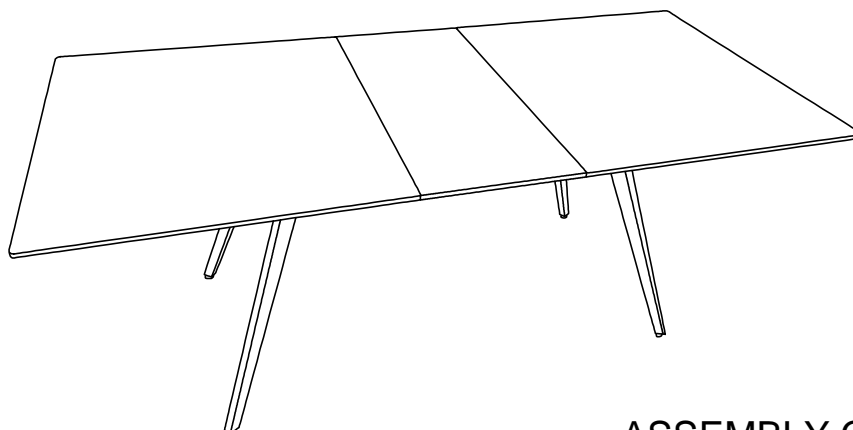


PULL TOP HALVES IN OPPOSITE DIRECTION

#### STEP 2:



PUSH TOP HALVES INWARD TO SECURE



ASSEMBLY COMPLETE