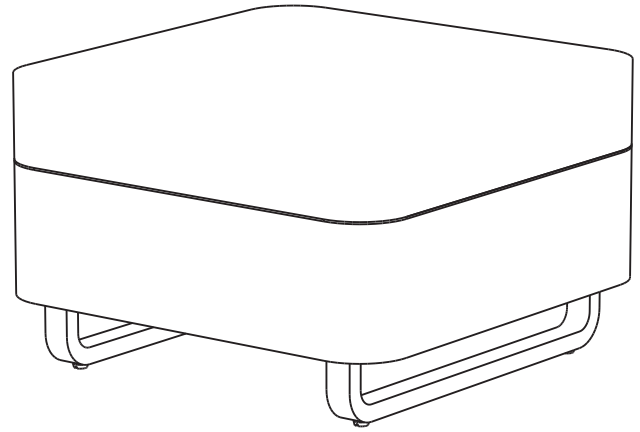


### G6000-08 Ottoman

#### IMPORTANT NOTE

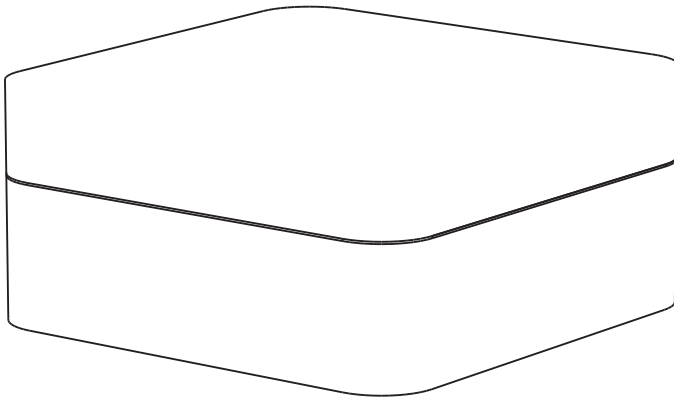
Carefully remove all the parts from the carton and put them individually on a soft cloth to prevent damage to the parts.

We have taken great care in the design of this product and request that you carefully and accurately follow our assembly instructions to ensure proper set-up.

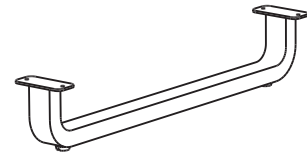


### Part List

### Assembly Instruction 1/2

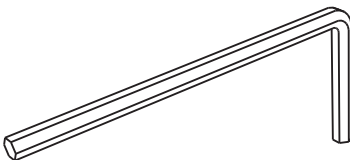


A.  
Base  
1 pc.

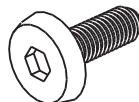


B.  
Leg  
2 pcs.

### Hardware List



Hex Wrench  
1 pc.



1  
M6x20  
Bolt  
8 pcs.



2  
M6xØ12  
Flat Washer  
8 pcs.

#### IMPORTANT

- Do not tighten up all the bolts until each part is properly assembled.
- Keep the Hex Wrench in a safe place as you may need to tighten up the bolts in the future.
- Use a soft cloth between these parts and the floor.

#### STEP 1

Turn Base (A) upside down on a soft cloth.

Attach Legs (B) to Base (A) with Bolts (1) and Flat Washers (2) by using Hex Wrench. (See Figure 1)

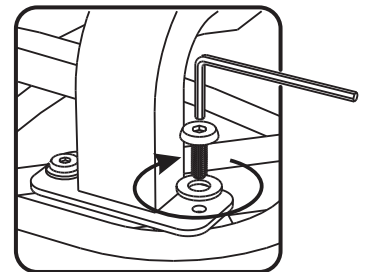
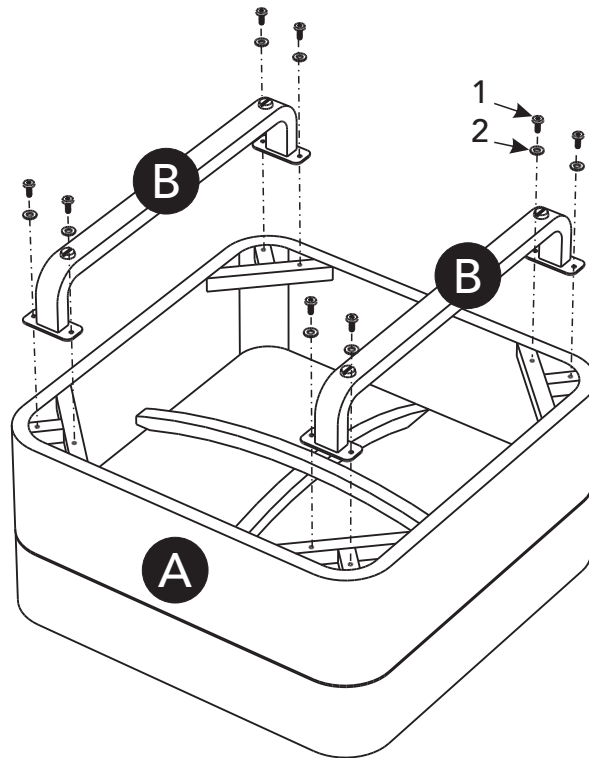


Figure 1

#### STEP 2

Turn over unit to its upright position.

Level unit by adjusting the adjustable levelers on bottom of legs. (See Figure 2)

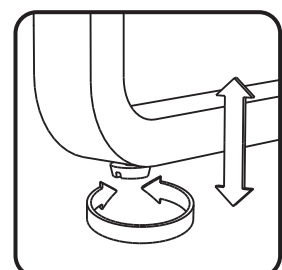
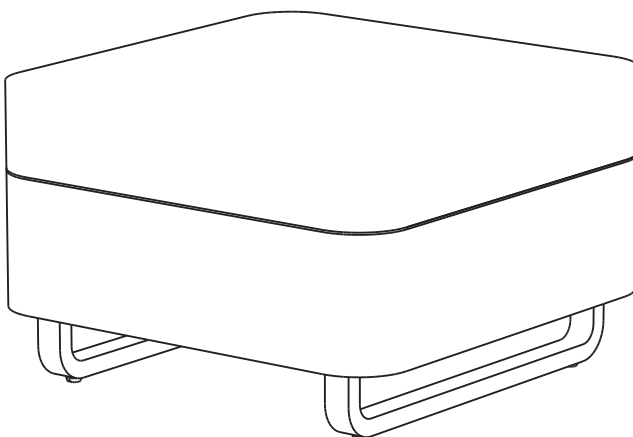


Figure 2

# FLEXSTEEL®

## OUTDOOR LIVING

### CARE INSTRUCTIONS

#### Cleaning and maintenance:

- Regular cleaning: clean the furniture regularly with a damp cloth or sponge to remove dirt, dust and other deposits.
- Deeper cleaning: use mild soapy water or a fabric-friendly cleaner for the removable cushions. Avoid harsh chemicals that might harm the metal or synthetic wicker.
- Wipe dry if exposed to chlorine.
- Spot test to ensure the cleaning agents do not cause any damage to the product.
- Avoid sharp tools. Do not use hard brushes or sharp tools in order to prevent scratches or holes in the fabric.
- Cushion care: remove or cover the cushions during heavy rain or when not in use to prevent them from getting soaked.

#### Storage:

- To prolong the life of your outdoor furniture, we recommend using furniture covers when not in use.
- During winter and inclement weather, store furniture indoors if possible, otherwise cover the furniture when not in use.

#### Usage:

- Use furniture on a solid and level surface to minimize prolonged exposure to uneven or damp ground.
- Periodically check for any loose bolts and tighten as needed.

#### **Flexsteel Industries, Inc.**

For Parts or Customer Service, call toll-free: 1-888-415-3979

Monday-Friday 8:00-5:00pm Central Time

Email: [customersolutions@flexsteel.com](mailto:customersolutions@flexsteel.com)

[www.flexsteel.com](http://www.flexsteel.com)