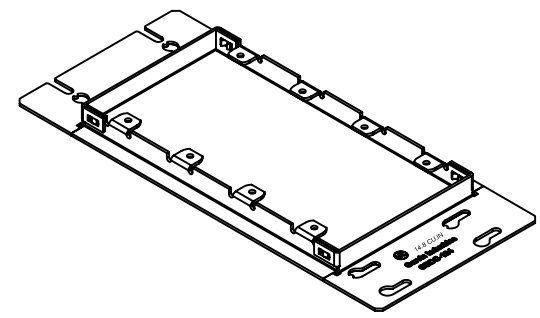
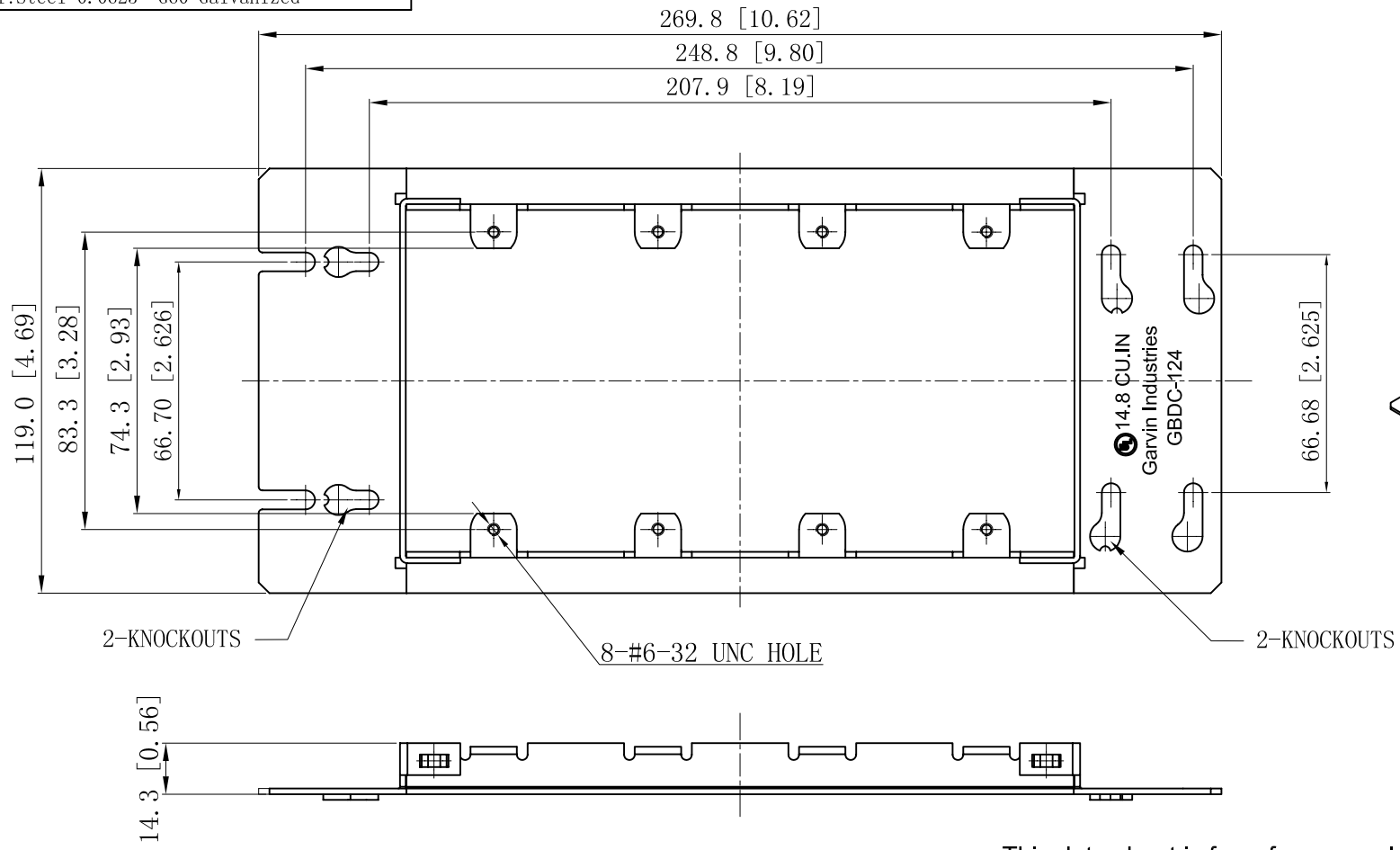


SIDES	BOTTOM
Material: Steel-0.0625"-G60 Galvanized	



This data sheet is for reference only .GARVIN INDUSTRIES reserves the right to make changes to the design without prior notice.

DESCRIPTION
TRADE REFERENCE TERMS

STANDARD PACKING
10 PCS

TITLE			REV
1/2"RAISED MULTI-GANG DEVICE COVERS			
SIZE	DWG NO.	REV	
A4	GBDC-124	D	
DATA SHEET			