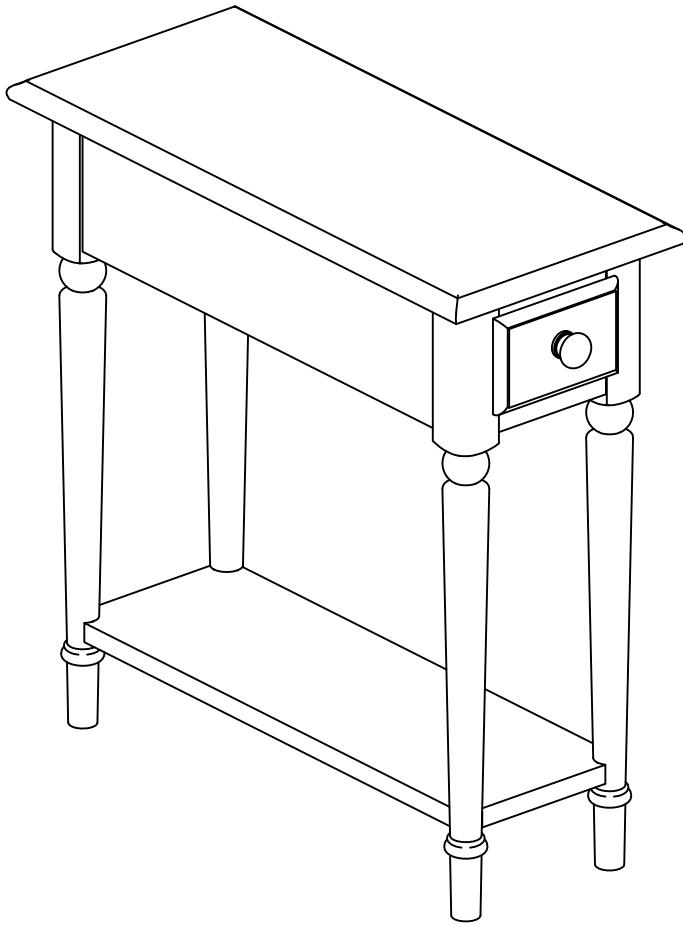
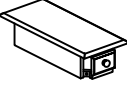






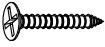


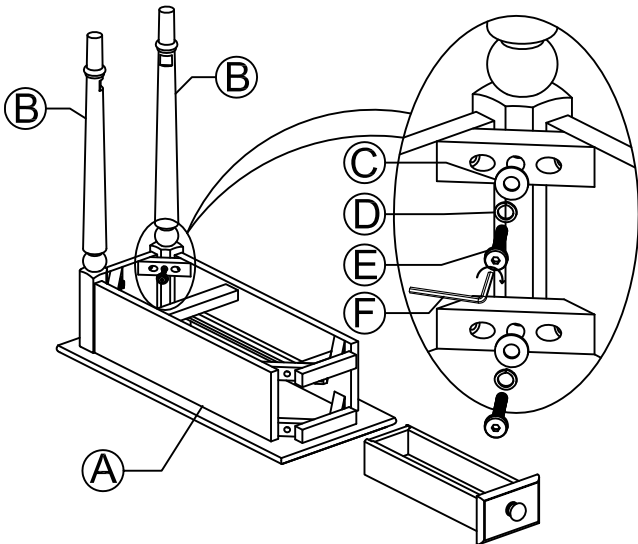
## Assembly Instructions, #20017 Side Table



A: Top Assembly	
B: (4) Legs	
C: (8) Flat washers	
D: (8) Lock Washers	
E: (8) Bolts	
F: Allen Wrench	
G: Shelf	
H: (4) Screws	

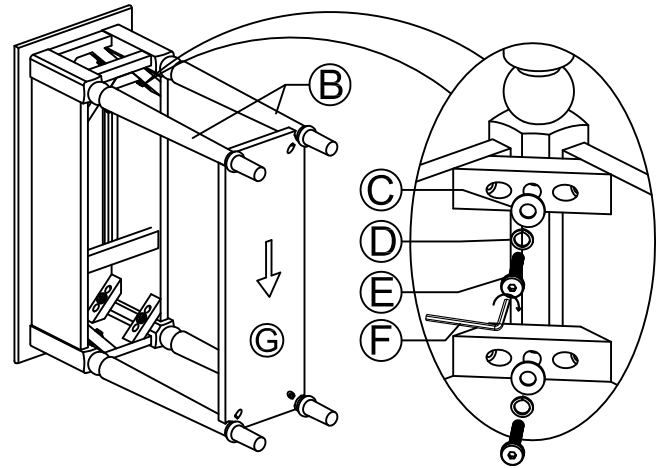
### Step 1

Put the table top upside down on a soft surface and remove the drawer. Fasten two legs with parts (C & D & E) on the back of table side.



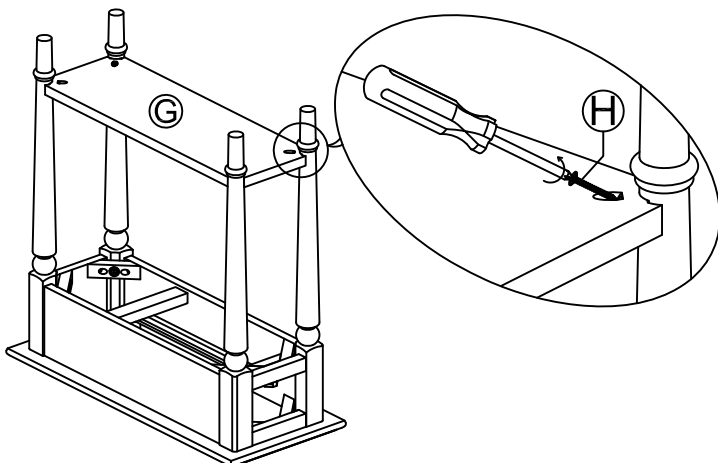
### Step 2

Put the table side up as per following sketch, then insert the shelf on the leg notches. Fasten the remaining two legs with parts (C & D & E).



### Step 3

Put the table upside down and fasten shelf with four screws.



### Step 4

Place the table right side up and insert the drawer.

