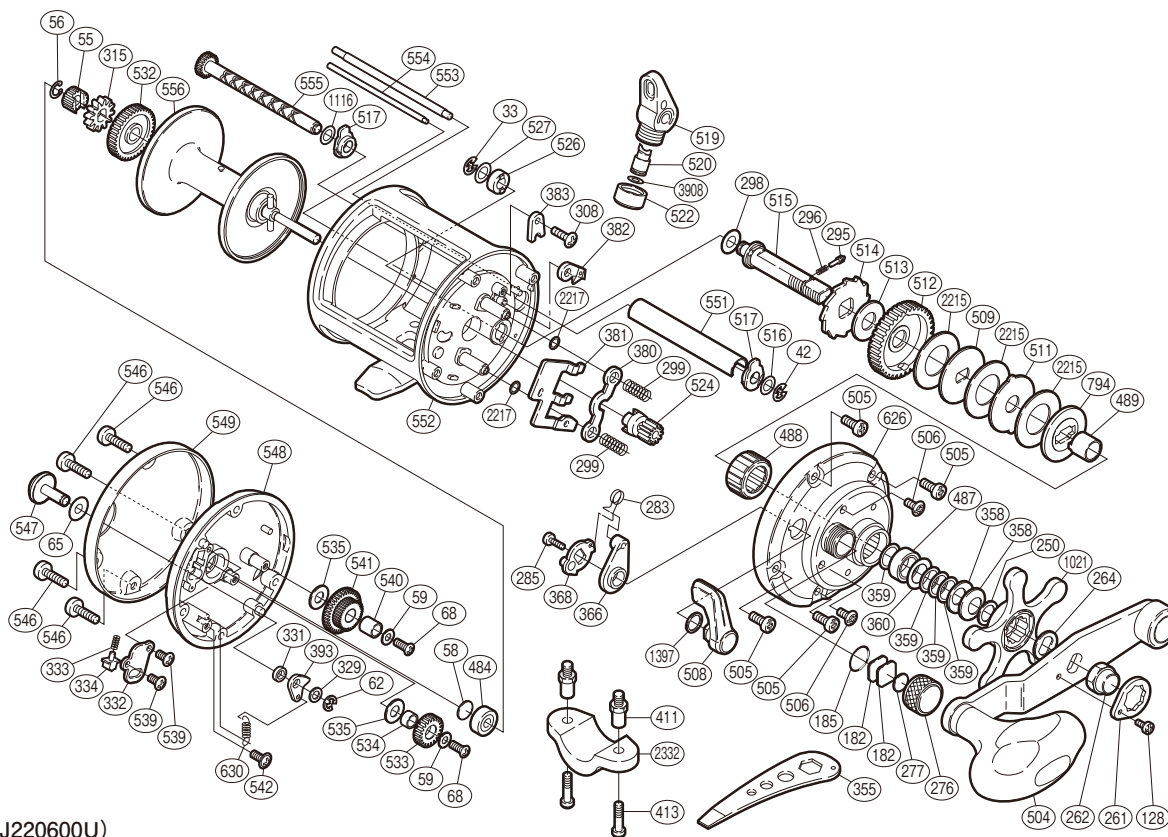


# SHIMANO

## TEKOTA

### TEK-600



(51RJ220600U)

#	Part No.	Description	#	Part No.	Description	#	Part No.	Description
33	105NG	Drive Shaft Retainer	359	105PW	Bearing Thrust Washer	533	10NXF	Idle Gear B
42	105NE	Worm Shaft Retainer	360	109RF	Bearing Seal	534	10NXJ	Idle Gear B Support
55	10J7E	Idle Gear A	366	10L2B	Eccentric Cam Bushing	535	10G4P	Spacer A
56	105SA	Idle Gear A Retainer	368	1084G	Clutch Cam	539	10QG5	Click Spring Retainer Screw
58	10GEU	Spacer B	380	10483	Yoke	540	10NXM	Idle Gear D Support
59	104H5	Lock Washer	381	1045H	Yoke Plate	541	10NXX	Idle Gear D
62	105NK	Click Pawl Retainer	382	10MW8	Anti-Reverse Pawl	542	10K8T	Click Pawl Spring Screw
65	104H2	Spacer (A)	383	10KSK	Anti-Reverse Pawl Keeper	546	10L9T	Left Side Plate Screw
68	103GS	Idle Gear Screw	393	10GQS	Click Pawl	547	1050J	Click Button
128	10QG0	Handle Nut Plate Screw	484	10KAD	Ball Bearing	548	10502	Left Side Plate
182	105N0	Cast Control Spacer (A)	487	10582	Ball Bearing	549	10NV4	Left Side Plate Cover
185	109EB	O Ring	488	10F5D	Roller Clutch Bearing	551	10HVV	Level Wind Guard
250	10BR1	Star Drag Washer	489	10BQ6	Roller Clutch Inner Tube	552	10LLA	One-Piece Frame
261	10QL8	Handle Nut Plate	504	10B1R	Handle Assembly	553	10HX8	Stabilizer Bar A
262	10FT1	Handle Nut	505	10LZ5	Right Side Plate Screw (A)	554	10BKT	Stabilizer Bar B
264	107QQ	Drive Shaft Shield	506	10LF9	Right Side Plate Screw (B)	555	10KC5	Worm Shaft
276	10KTA	Cast Control Cap	508	10U11	Clutch Lever	556	10NPG	Spool Assembly
277	10896	Cast Control Spacer (B)	509	10D4K	Key Washer (B)	626	10HK9	Right Side Plate
283	10JYU	Clutch Spring	511	10D48	Eared Washer (A)	630	10NRQ	Click Pawl Spring
285	10F8M	Clutch Lever Screw	512	109DH	Drive Gear	794	109F1	Key Washer (A)
295	109Z2	Click Pin	513	109BN	Drag Washer (A)	1021	10HMU	Star Drag
296	10HZ5	Click Spring	514	109BG	Anti-Reverse Ratchet	1116	10D69	Worm Shaft Spacer
298	10588	Drive Shaft Washer (B)	515	10994	Drive Shaft	1397	10AG2	Smoother
299	104BY	Yoke Spring	516	10HV6	Worm Shaft Spacer	2215	10D2S	Drag Washer
308	10LSK	Anti-Reverse Pawl Screw	517	10HT3	Worm Bushing	2217	10KF6	Washer
315	104F1	Click Gear	519	10KCF	Line Guide	3908	10TZF	Spacer
329	109RC	Spacer (B)	520	10FFZ	Line Guide Pawl			
331	10CFT	Click Pawl Spacer	522	10FJP	Pawl Cap	411	1046R	Rod Clamp Nut (accessory)
332	104B6	Click Spring Retainer	524	10AHE	Pinion Gear	413	10A7C	Rod Clamp Bolt (accessory)
333	104MT	Click Spring	526	10BPW	Drive Shaft Bushing	2332	10EUN	Rod Clamp (accessory)
334	104B8	Click Spring Holder	527	10D66	Drive Shaft Washer (A)			
358	10EW3	Drag Spring Washer (8l)	532	10AQG	Counter Gear A	355	10MJ2	Wrench (accessory)

Please note that the number of adjusting washers may not be the same as shown in the exploded views.  
(Adjustment will vary with each individual product.)

(240625)\_005