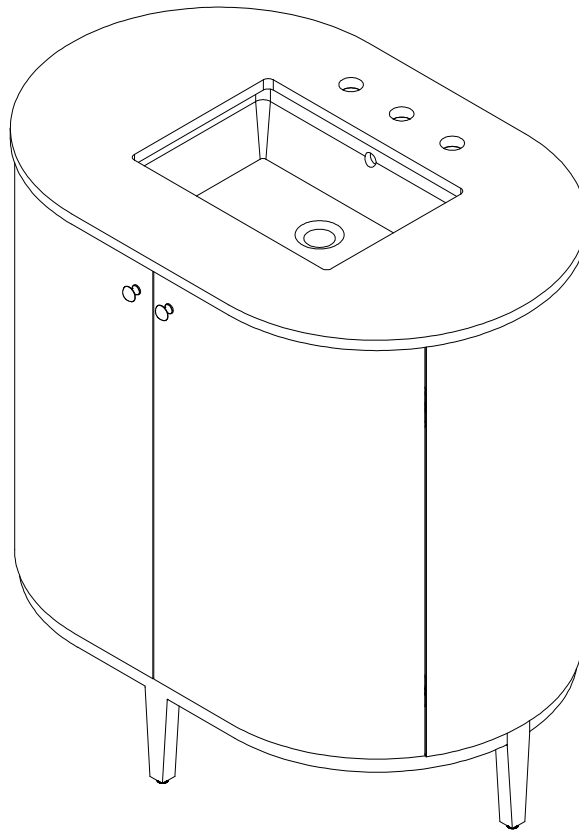


BELLAMY 36" SINGLE VANITY, D300-V36-RSO-CAR
ASSEMBLY INSTRUCTION



Thank you for choosing this quality product. Be sure to check all packaging materials carefully for small parts that may have loosened inside the carton during shipment and place on a non-abrasive surface.

IMPORTANT STEPS BEFORE YOU BEGIN :

- For your safety and to achieve the best possible results, James Martin Vanities recommends you consult with a professional contractor.
- These parts can be cumbersome and heavy for some people, therefore the assistance of two or more people is recommended in order to prevent personal injury and ensure the product is not damaged during the assembly process.
- Ensure the vanity cabinet is in place and has been properly installed to meet plumbing codes.
- Shut off the water supply. Water supply and drain access must be in place prior to installing the counter top and sink.
- Ensure the vanity cabinet is level.

JAMES MARTIN VANITIES®

Paper : 2 of 4

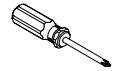
BELLAMY 36" SINGLE VANITY, D300-V36-RSO-CAR
ASSEMBLY INSTRUCTION

PART LIST

A. [1] VANITY CABINET WITH MARBLE TOP

TOOLS NEEDED

- Phillips Screwdriver (Not provided)



HARDWARE LIST: TO SECURE SINK TO TOP
(sink ships in a separate carton)

| NO. | SKETCH | DESCRIPTION | SPECIFICATION | QTY. |
|-----|--------|--------------|-------------------------|--------|
| 1 | | Allen Bolt | M6 x 1/4" | 4 pcs. |
| 2 | | Lock Washer | Ø 15/32 x Ø 1/4 x 1/16" | 4 pcs. |
| 3 | | Flat Washer | Ø 5/8 x Ø 1/4 x 1/16" | 4 pcs. |
| 4 | | Allen Wrench | 4 2/64 x 1 7/64 x 5/32" | 1 pc. |
| 5 | | Sink Clips | 2 1/8 x 1 3/16 x 25/64" | 4 pcs. |

ASSEMBLY INSTRUCTIONS

- STEP 1:** Carefully remove the vanity and all contents from the carton. Check for all contents
- STEP 2:** For packing purpose, the handles were reversed. Re-install the handles to correct side by using the Phillips head bolts provided. Repeat this steps to for other one. Refer to FIGURE 1.
- STEP 3:** Check the furniture leveling, if it does not sit level, adjust the leveler on the bottom of the leg, as per illustrated in FIGURE 2.

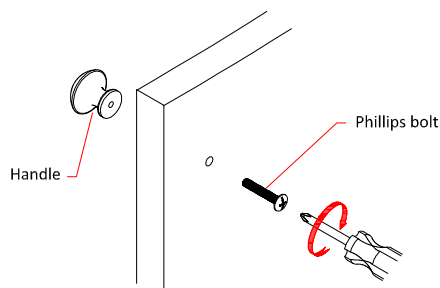


FIGURE 1

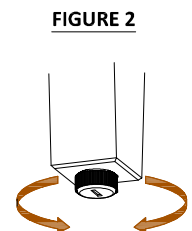
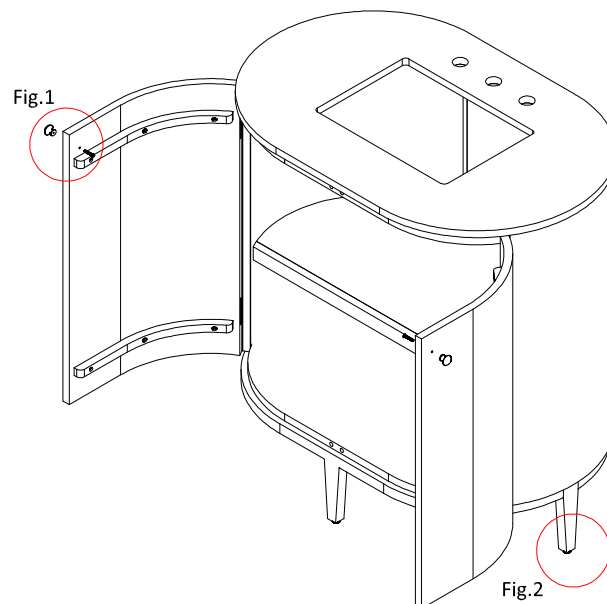


FIGURE 2

For Warranty information, please visit jamesmartinvanities.com
Customer Service: 512-795-4171

BELLAMY 36" SINGLE VANITY, D300-V36-RSO-CAR ASSEMBLY INSTRUCTION

STEP 4: REMOVAL OF MARBLE TOP

4a. Remove the screws from the supporting frame. See FIGURE 3.

NOTE: DO NOT THROW THE SCREWS AWAY

4b. Using two people, carefully lift the marble top out from the vanity and put it upside down on a blanket or smooth cardboard. Four hole with threaded inserts should be visible for each sink.

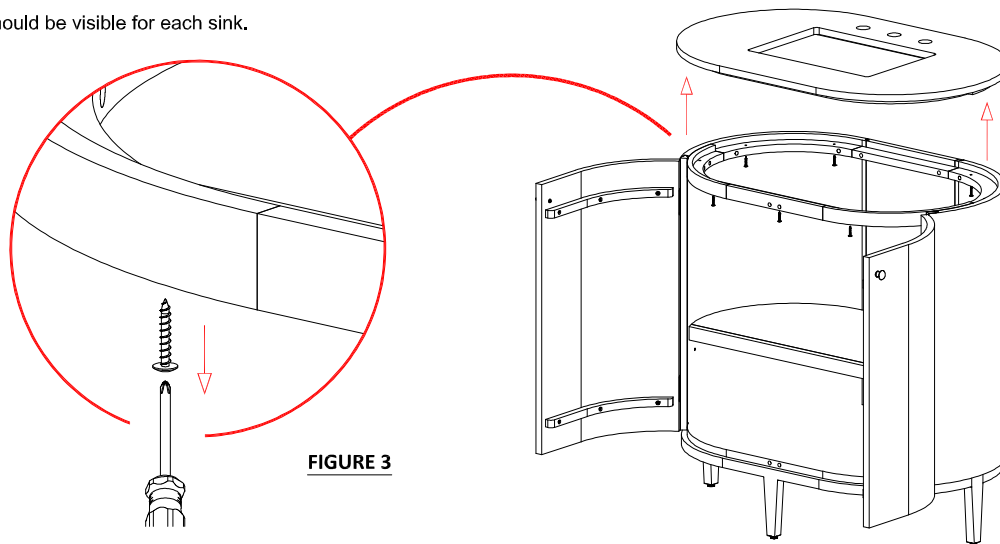


FIGURE 3

STEP 5: SECURING THE SINK TO THE MARBLE TOP - Sink ships in a separate carton

5a. Apply a continuous bead of silicone sealant to the top surface of lavatory basin rim where it comes in contact with underside of stone top.

5b. Position the sink so that the overflow drain is located on the opposite side of the pre-drilled faucet holes. See FIGURE 4.

5c. Align Allen Bolt (1), Lock Washer (2) and Flat Washer (3) with pre-installed stone top threaded insert and secure on all 4 points with mounting bracket (5) by using Wrench (4). See FIGURE 5

5d. Wipe away any excess sealant with a damp cloth and allow sealant to dry according to manufacture's recommendations.

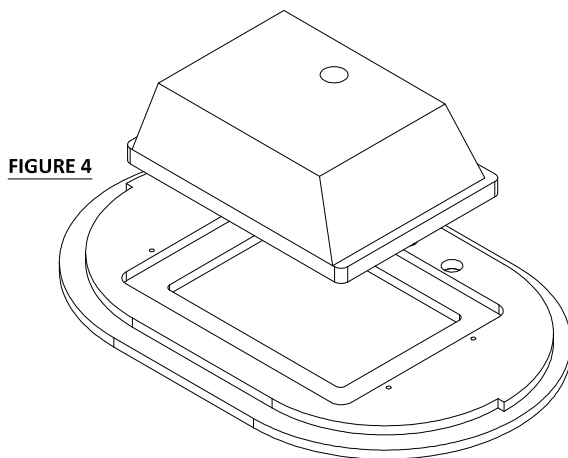


FIGURE 4

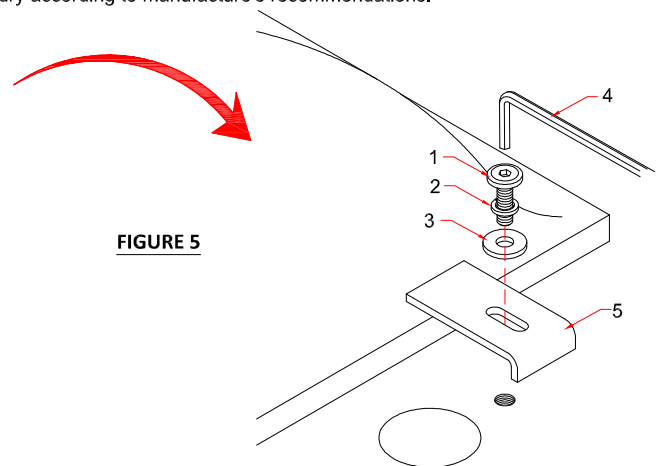


FIGURE 5

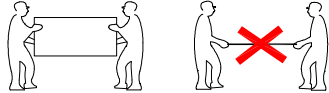
BELLAMY 36" SINGLE VANITY, D300-V36-RSO-CAR ASSEMBLY INSTRUCTION

STEP 6: INSTALLING THE MARBLE TOP WITH SINK

IMPORTANT:

- Follow this step after the sink is properly installed and sealant is dry
- Ensure the vanity cabinet is in place, aligned with plumbing, and has been properly installed to meet plumbing codes. For your safety and to achieve the best possible results, James Martin Vanities recommends you consult with a professional contractor.
- Shut off the water supply. Water supply and drain access must be in place prior to installing the countertop and sink.
- Ensure the cabinet is level

6a. With two people, lift the assembled marble top and set its rear edge on the back of the Vanity Base (closest to the rear wall). See FIGURE 6.



- 6b. Lower front of Stone Top onto the Vanity Base, making sure both ends are lowered at the same rate.
6c. Do not shimmy, twist or turn the Stone Top while lowering as this increases the risk of breakage.
6d. Install the screws removed on step 3 to fix the stone top in place. See FIGURE 7.

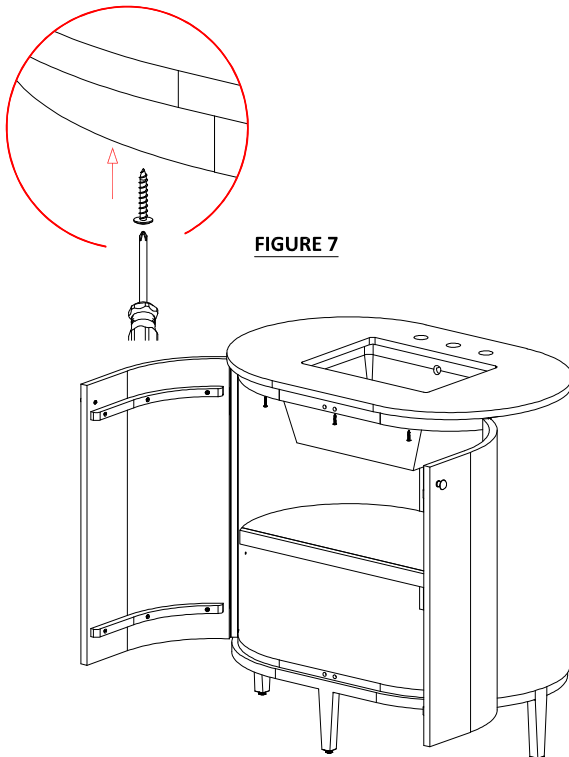


FIGURE 7

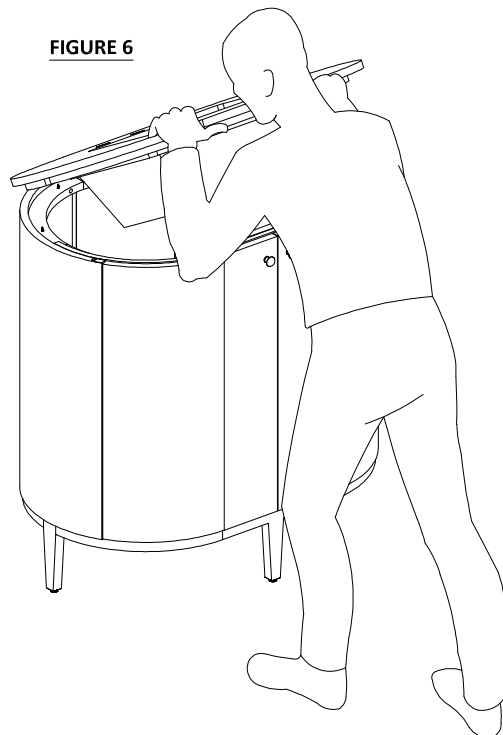


FIGURE 6

CARE INSTRUCTIONS

1. Dust often using a clean, soft, dry and lint-free cloth.
2. Blot spills immediately and wipe with a clean, damp, cloth.
3. We do not recommend the use of chemical cleansers, abrasives or furniture polish on our lacquered finish. Product can be cleaned using a damp cloth soaked in warm soapy water followed by wiping clean with a dry lint-free cloth.