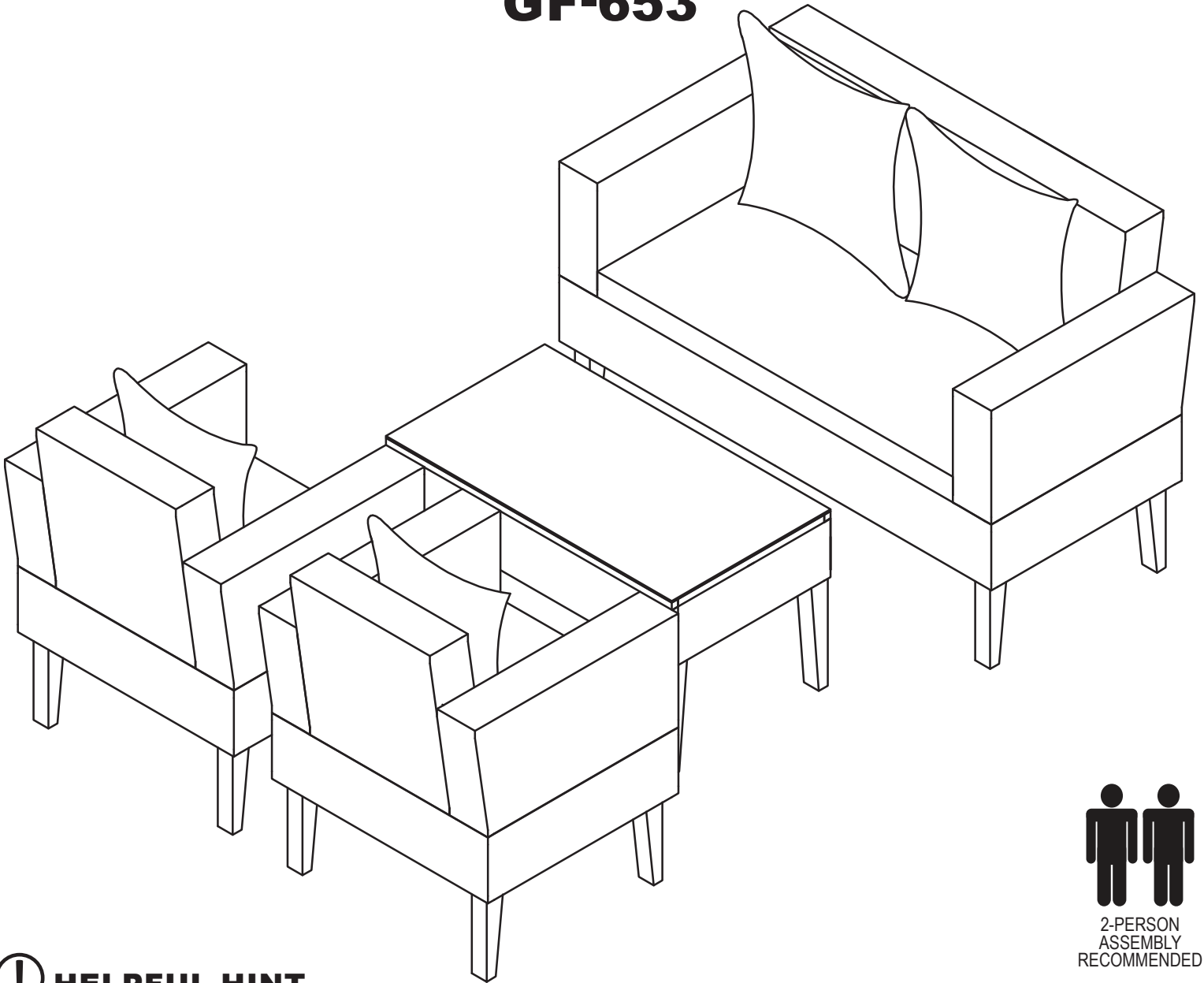


CLIFDON 4-PIECE RESIN WICKER & ACACIA PATIO FURNITURE SET GF-653



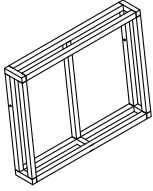
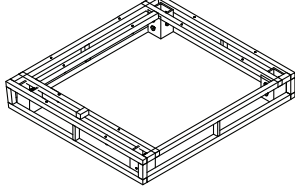
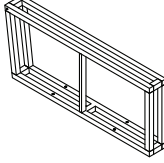
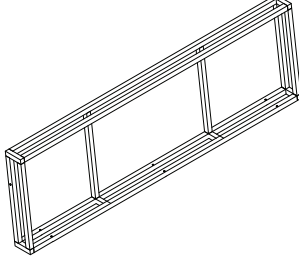
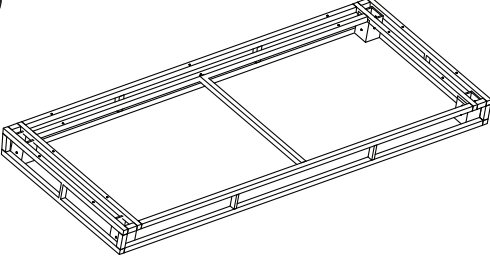


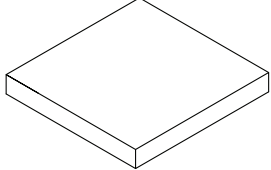
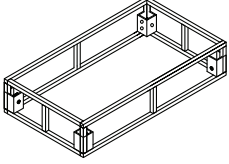
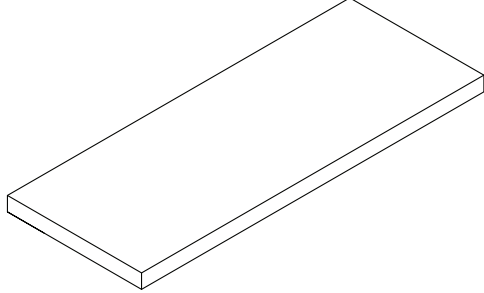
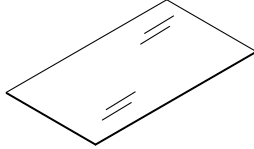
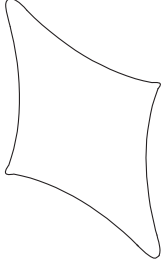
! HELPFUL HINT

Sunnydaze Decor advises reading this manual fully, and assembling the furniture set soon after purchase. Check that all parts are accounted for and familiarize yourself with the assembly before beginning. Save this manual for future reference.



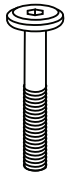





COMPONENTS

Inspect packaging to ensure all parts are accounted for before disposing of packing materials.

 <p>A</p> <p>Chair Backrest Qty. 2</p>	 <p>B</p> <p>Chair Seat Qty. 2</p>	 <p>C</p> <p>Arm Panel Qty. 6</p>	 <p>E</p> <p>Loveseat Backrest Qty. 1</p>
 <p>F</p> <p>Loveseat Seat Qty. 1</p>	 <p>G</p> <p>Seat Leg Qty. 12</p>	 <p>H</p> <p>Table Leg Qty. 4</p>	 <p>J</p> <p>Seat Cushion Qty. 2</p>
 <p>K</p> <p>Table Frame Qty. 1</p>	 <p>L</p> <p>Loveseat Cushion Qty. 1</p>	 <p>Q</p> <p>Tabletop Qty. 1</p>	 <p>W</p> <p>Pillow Qty. 4</p>

HARDWARE

⚠ WARNING! CHOKING HAZARD — Small parts. Keep children away during assembly.

 <p>1</p> <p>M6x100mm Bolt Qty. 6</p>	 <p>2</p> <p>M6x40mm Bolt Qty. 38</p>	 <p>3</p> <p>M6x20mm Bolt Qty. 48</p>	 <p>4</p> <p>M6 Washer Qty. 44</p>	 <p>5</p> <p>M4 Cap Qty. 6</p>	 <p>6</p> <p>M4 Hex Key Qty. 2</p>
-------------------------------------------------------------------------------------------------------------------------------------	-------------------------------------------------------------------------------------------------------------------------------------	-------------------------------------------------------------------------------------------------------------------------------------	----------------------------------------------------------------------------------------------------------------------------------	--------------------------------------------------------------------------------------------------------------------------------	------------------------------------------------------------------------------------------------------------------------------------

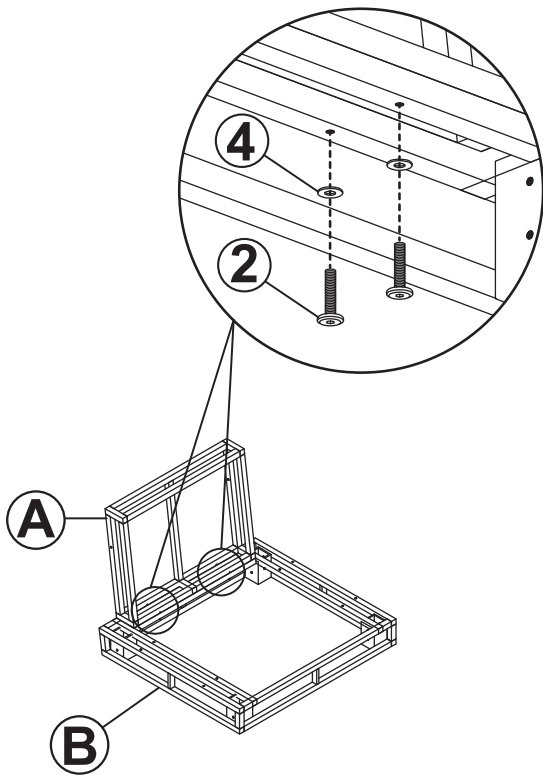
ⓘ HELPFUL HINT: Do not tighten hardware until all components have been loosely assembled. If the hardware is tightened too soon, mounting holes may not align, and parts may not easily fit together.



INDIVIDUAL CHAIR ASSEMBLY

STEP 1

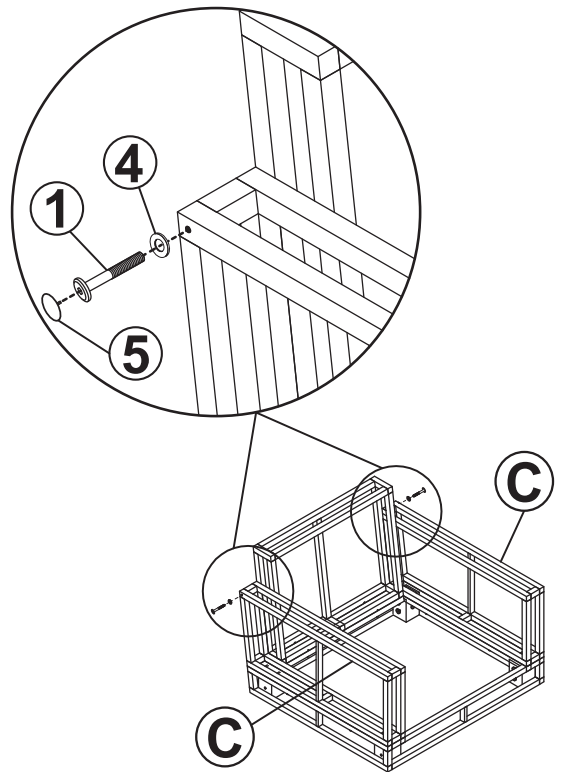
- A: 1
- B: 1
- 2: 4
- 4: 4



Do not fully tighten hardware until after Step 3 is complete.

STEP 2

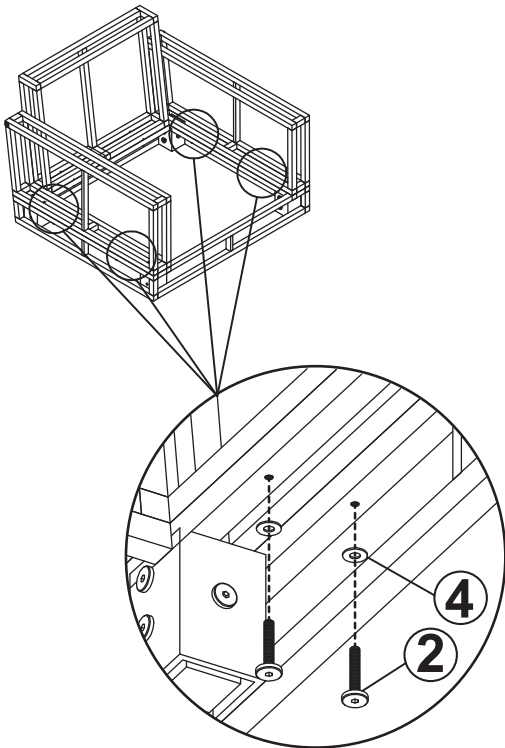
- C: 2
- 1: 2
- 4: 2
- 5: 2



Do not fully tighten hardware until after Step 3 is complete.

STEP 3

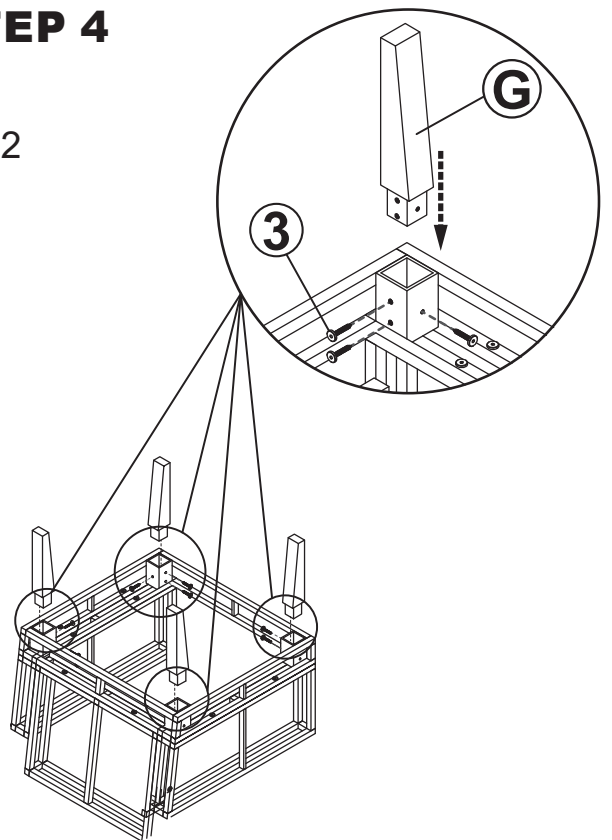
- 2: 8
- 4: 8



Do not fully tighten hardware until all components in this step have been connected.

STEP 4

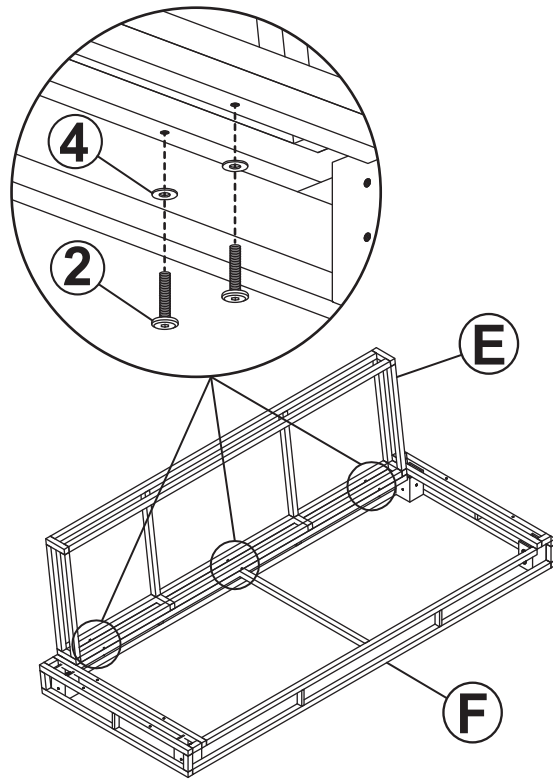
- G: 4
- 3: 12



LOVESEAT ASSEMBLY

STEP 5

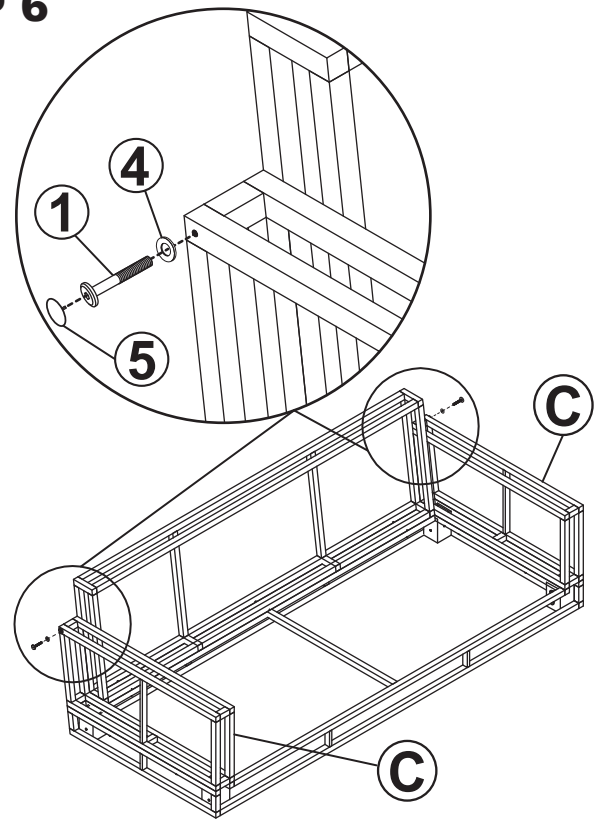
- E: 1
- F: 1
- 2: 6
- 4: 6



Do not fully tighten hardware until after Step 7 is complete.

STEP 6

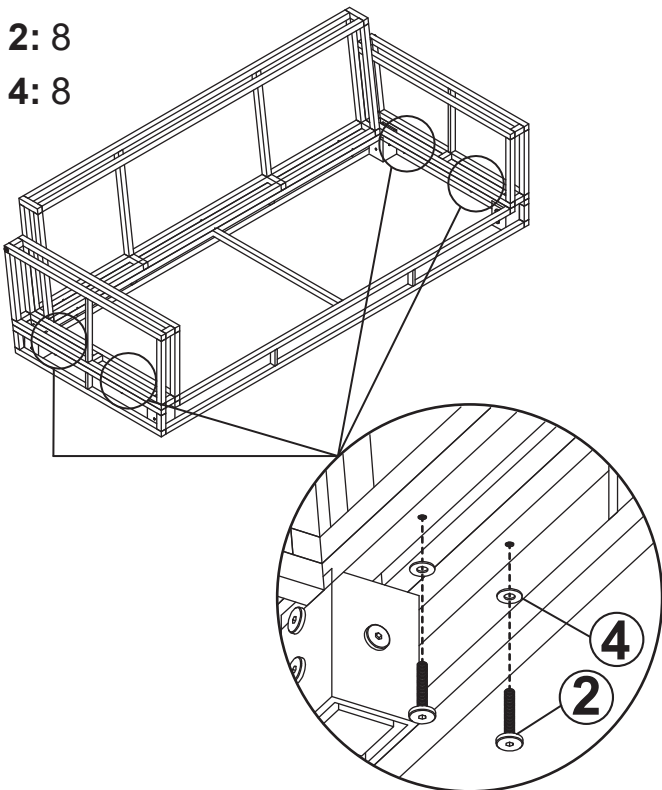
- C: 2
- 1: 2
- 4: 2
- 5: 2



Do not fully tighten hardware until after Step 7 is complete.

STEP 7

- 2: 8
- 4: 8



Do not fully tighten hardware until all components in this step have been connected.

STEP 8

- G: 4
- 3: 12

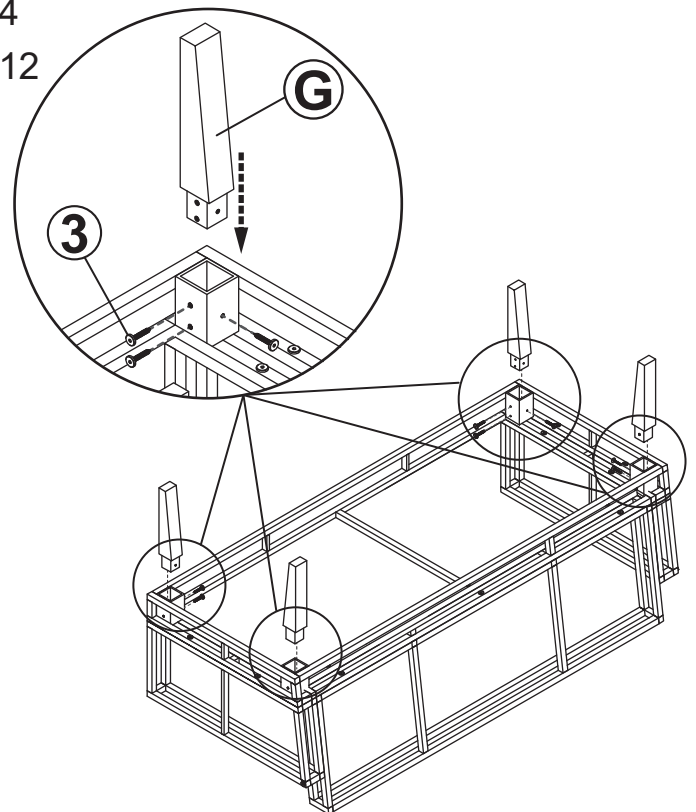
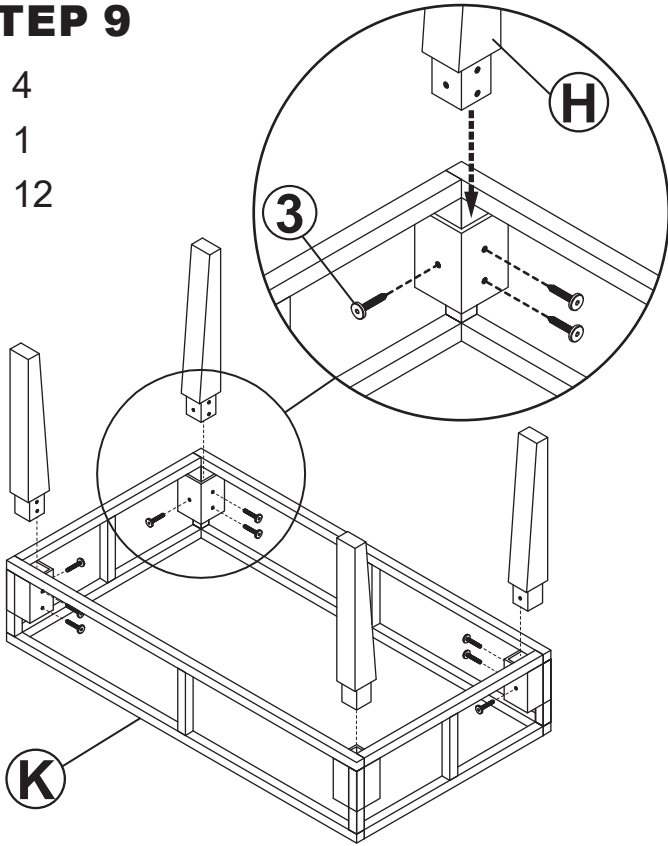


TABLE ASSEMBLY

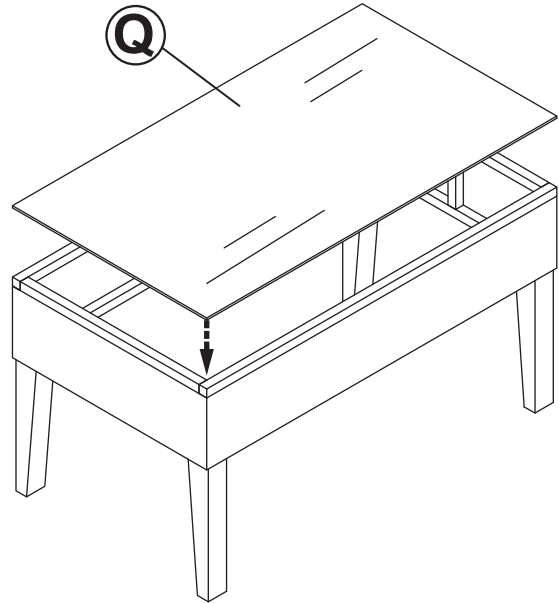
STEP 9

H: 4
K: 1
3: 12



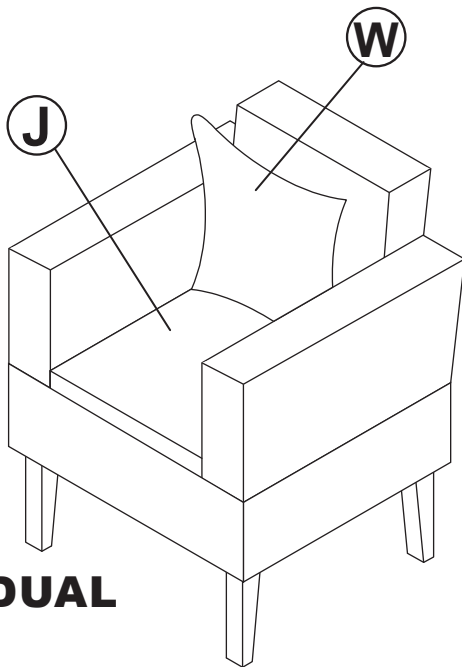
STEP 10

Q: 1



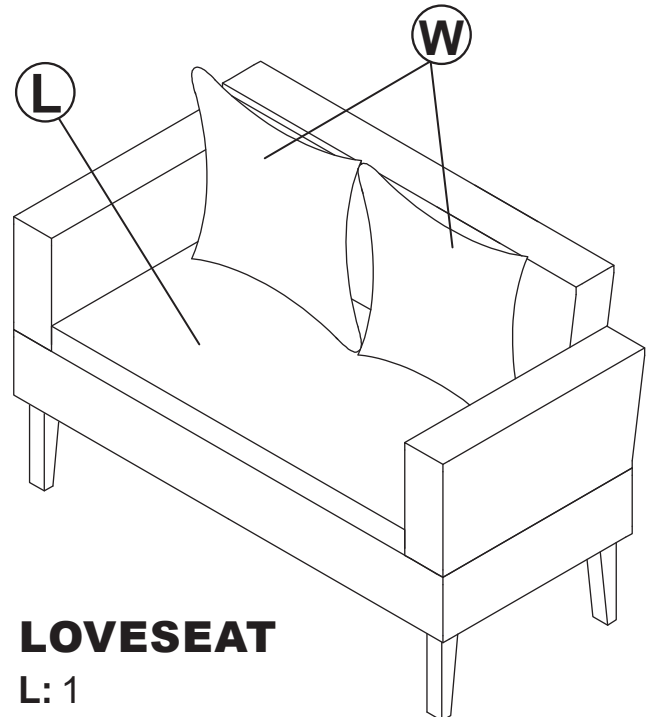
Do not fully tighten hardware until all components in this step have been connected.

CUSHIONS



INDIVIDUAL CHAIR

J: 1
W: 1



LOVESEAT

L: 1
W: 2

Care & Maintenance

*Resin wicker furniture requires minimum maintenance.
Follow these basic tips to prolong the life of your resin wicker furniture.*

Protect: Storing cushions indoors when the furniture is not in use is highly recommended.

Cover: Covering the furniture with a breathable cover when it's not being used will help protect it from the harmful effects of sunlight, dust build-up, and collecting debris.

Sun Exposure: All materials and fabrics will eventually fade and degrade from sun exposure. Maintain cushion color and integrity by covering the furniture or storing cushions indoors when not in use.

Winter Care & Storage: Move the furniture to a cool, dry location to preserve the quality and to protect the frame from rusting. Covering furniture while in storage is recommended to help prevent dust build-up. Ensure cushions are completely dry before storing.

Cleaning

Regular cleaning keeps your resin wicker furniture looking stunning for many Sunnydaze to come!

Do not use harsh chemicals or abrasive materials to clean the furniture.



HAND-WASH ONLY



DO NOT USE BLEACH



DO NOT USE A PRESSURE WASHER

Cushions/Pillows

- Brush or vacuum loose dirt from the cushions.
- Wipe the cushions down using a soft cloth and cool water. For more stubborn stains, clean with mild soap and cool water, using a soft-bristle brush.

Furniture

- Remove all cushions and tabletop.
- Brush, vacuum or use a garden hose to remove loose dirt and debris. If using a hose with a spray nozzle, use gentle or medium pressure settings; using high-pressure sprayer settings will damage the construction of the furniture and void the product warranty.
- Mix 1/4 cup of soap or a mild detergent with 1 gallon of warm water. Using a soft-bristle brush, gently scrub the dirt and grime from the resin wicker.
- Spray with the garden hose or use a bucket of water to rinse all traces of soap residue from the furniture.

Wooden Surfaces

- Use a damp cloth to wipe down wooden surfaces and dry with a soft cloth.

! SAFETY STATEMENTS & WARNINGS !

- Do not exceed the weight capacity of the furniture.
- Do not sit, stand, or climb on the table.
- Inspect hardware often and tighten loose hardware before use.
- Do not put hot items on or near furniture.
- Keep furniture a safe distance from heat sources such as fire pits, patio heaters, and grills.
- Do not allow children to use this product without adult supervision.
- Do not use harsh chemicals or abrasive materials to clean the furniture.

Any modification to the product or failure to follow recommended care will void the product warranty.

! WARNING!

Manufacturer and seller expressly disclaim any and all liability from personal injury, property damage or loss, whether direct or indirect, or incidental, resulting from the incorrect attachment, improper use, inadequate maintenance, or neglect of this product.