

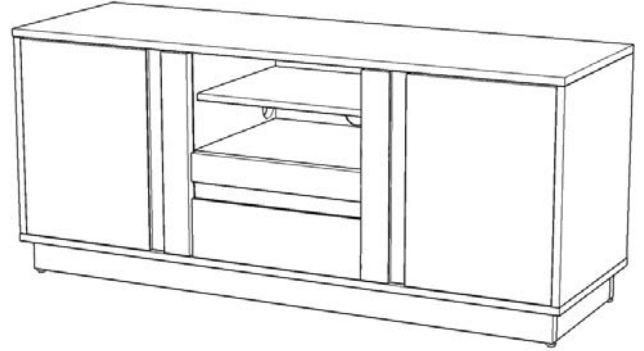
**Entertainment Stand**

**IMPORTANT**

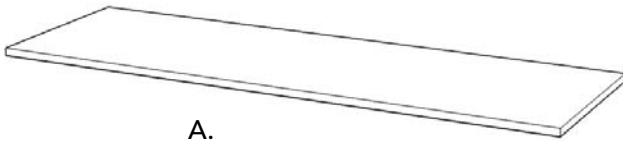
Carefully remove all the parts from the carton and place them individually on a soft cloth to prevent scratches or other damage.

Carefully and strictly follow these assembly instructions to ensure a completed product as designed.

Do not use power tools above 8 volts to assemble.



**Part List**



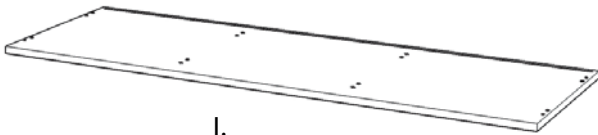
A.  
Top  
1 pc.



L.  
Cleat  
1 pc.



F.  
Shelf  
1 pc.



I.  
Base  
1 pc.

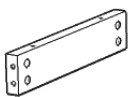
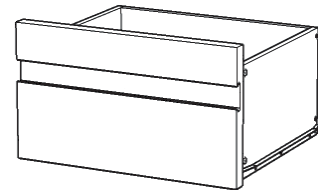


N.  
Shelf  
5 pcs.



J.  
Plinth  
2 pcs.

O.  
Drawer  
1 pc.



K.  
Plinth  
2 pcs.

Refer to later page(s) of these instructions for drawer assembly.

**Hardware List**



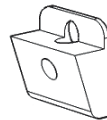
Dowel  
26 pcs. (+1 extra)



Cam Lock Screw  
26 pcs. (+2 extra)



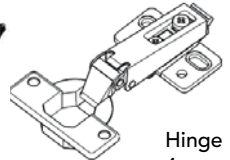
Cam Lock (small)  
6 pcs. (+1 extra)



Plastic Clip  
16 pcs. (+1 extra)



M3.5x64  
Wood Screw (long)  
16 pcs. (+1 extra)



Hinge  
4 pcs.



Adjustable Pin  
20 pcs. (+1 extra)



Cam Lock  
20 pcs. (+6 extra)



M3.5x38  
Wood Screw  
8 pcs. (+1 extra)



M3x20  
Wood Screw  
for Plastic Clip  
16 pcs. (+1 extra)



M3.5x25  
Wood Screw (short)  
7 pcs. (+1 extra)



M3.5x14  
Wood Screw  
for Hinge  
24 pcs. (+1 extra)

**Carton 20 08000 0102 is also needed for assembly.**

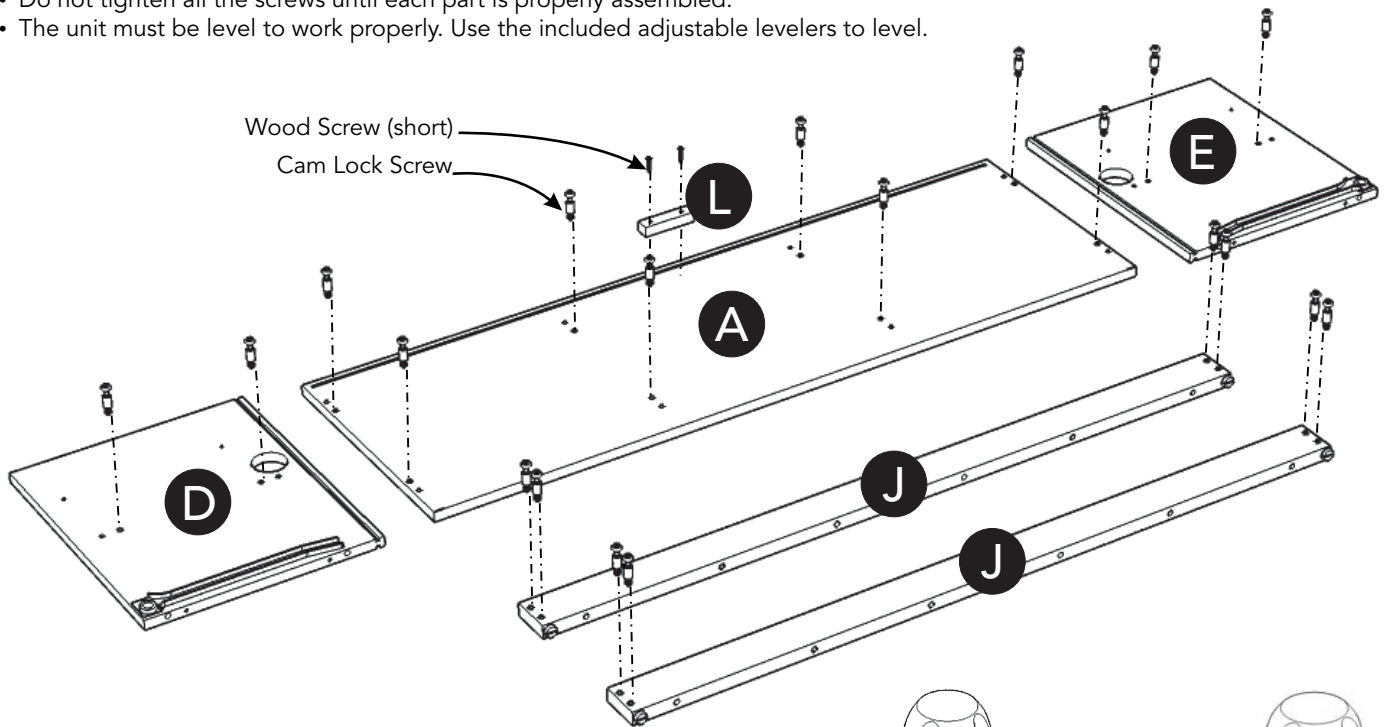
Tool(s) required for assembly: Phillips screwdriver, Level, Drill (8 volts or less), 3/8" Drill Bit

Home Styles Customer Service: [www.homestyles-furniture.com](http://www.homestyles-furniture.com),  
 servicedesk@homestyles-furniture.com, 888-680-7460, 877-831-0319

# Assembly Instructions 2/8

## IMPORTANT

- Use a soft cloth between these parts and the floor.
- Do not use power tools above 8 volts to assemble.
- Do not tighten all the screws until each part is properly assembled.
- The unit must be level to work properly. Use the included adjustable levelers to level.



## STEP 1

Insert Cam Lock Screws into pre-drilled holes in Top (A), Middle Panels (D), (E) and Plinths (J), then tighten. (See Figure 1)

Attach Cleat (L) to Top (A) with Wood Screws (short) into pre-drilled holes. (See Figure 2)

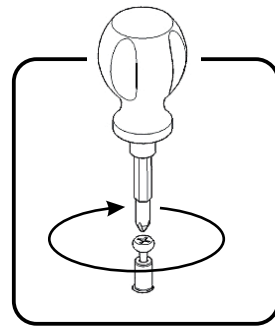


Figure 1

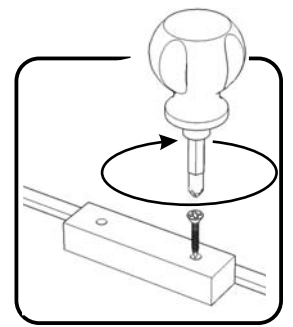


Figure 2

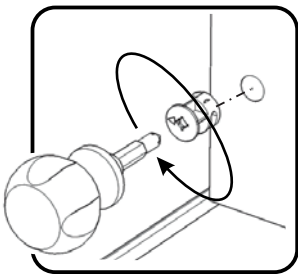
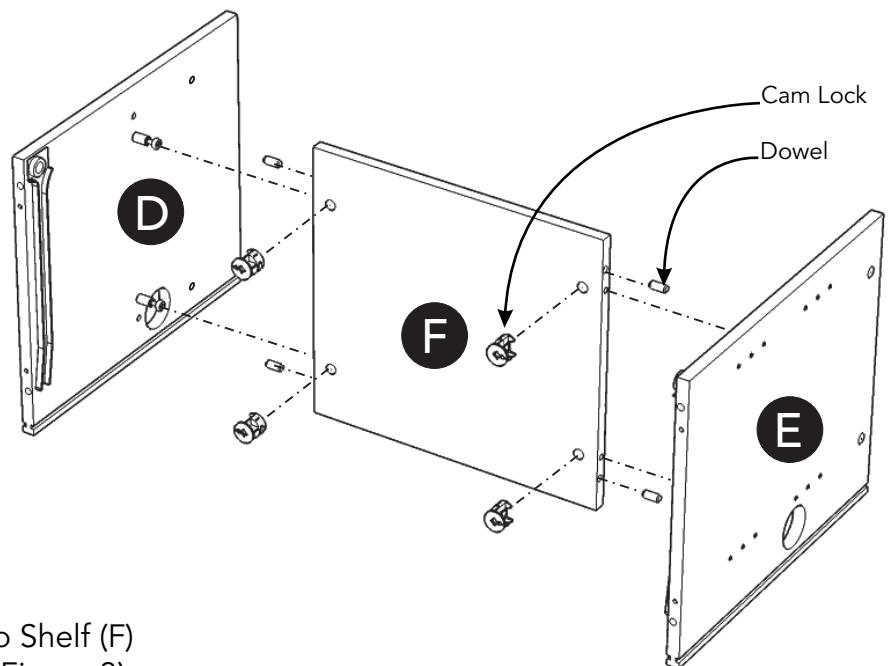


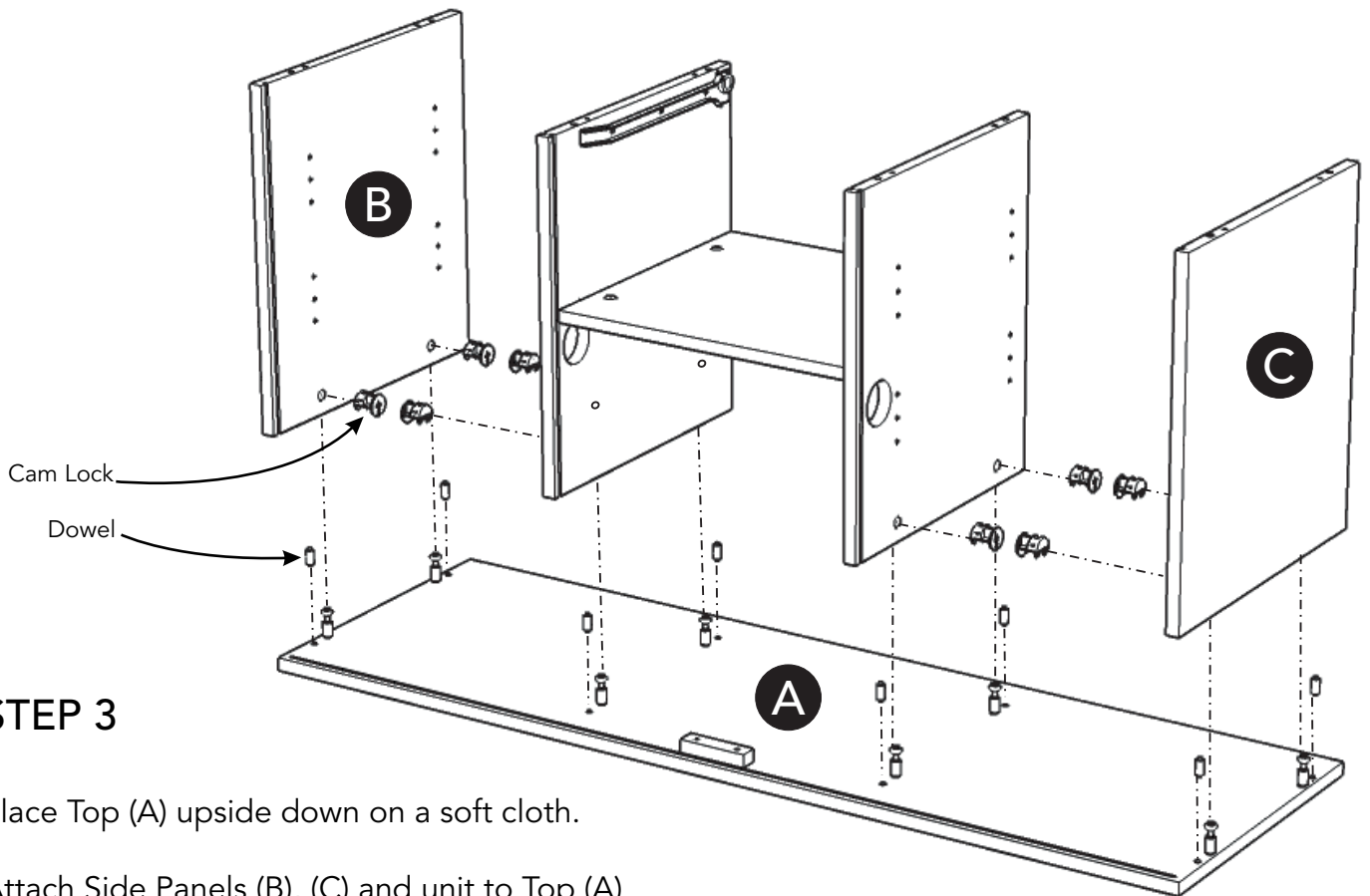
Figure 3



## STEP 2

Attach Middle Panels (D) and (E) to Shelf (F) with Dowels and Cam Locks. (See Figure 3)

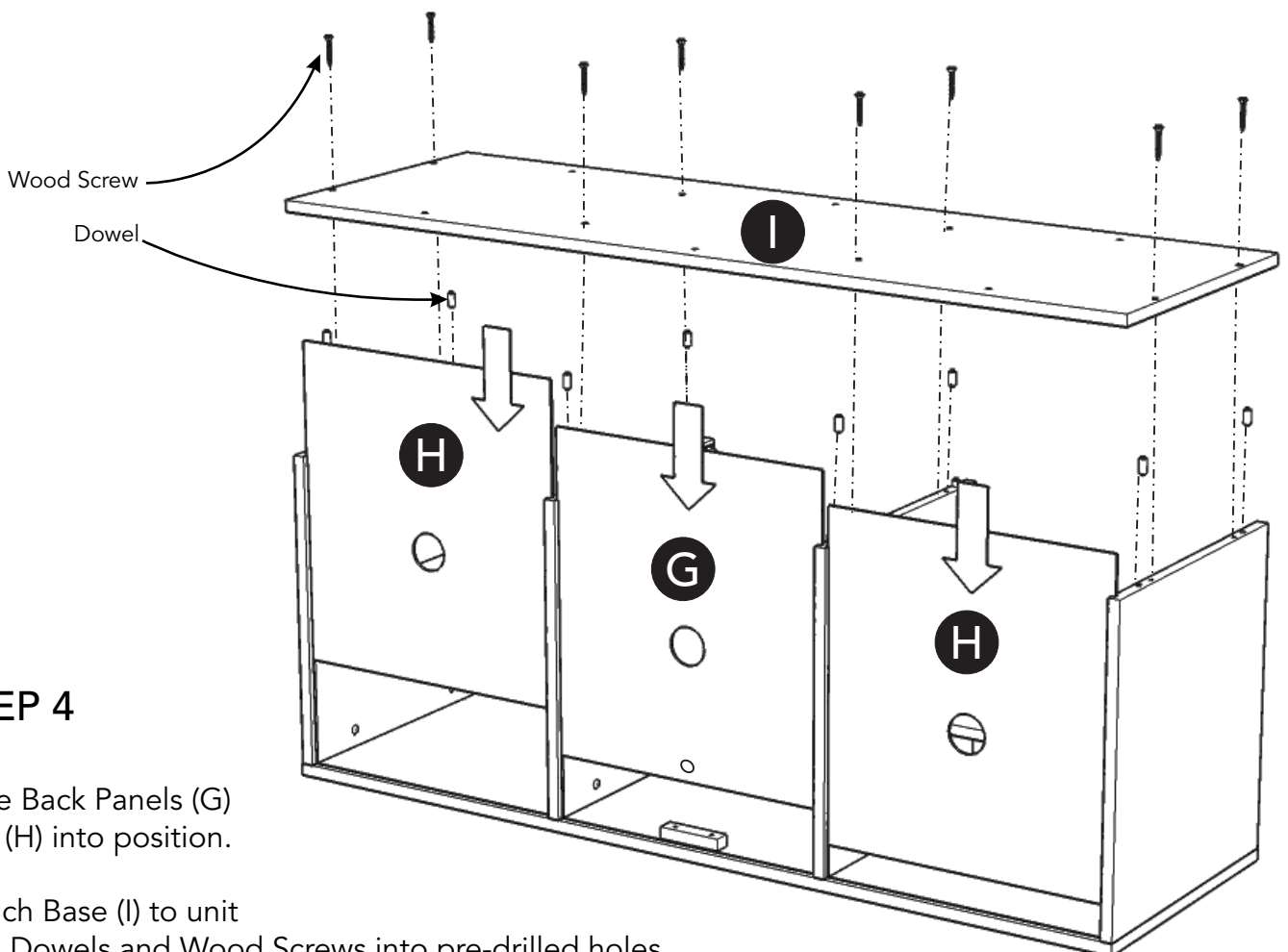
## Assembly Instructions 3/8



### STEP 3

Place Top (A) upside down on a soft cloth.

Attach Side Panels (B), (C) and unit to Top (A) with Dowels and Cam Locks.



### STEP 4

Slide Back Panels (G) and (H) into position.

Attach Base (I) to unit with Dowels and Wood Screws into pre-drilled holes.

## Assembly Instructions 4/8

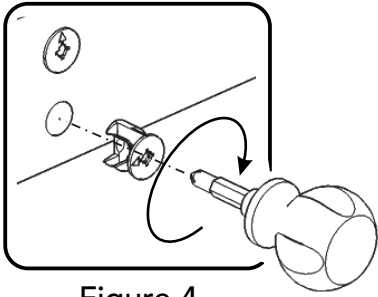
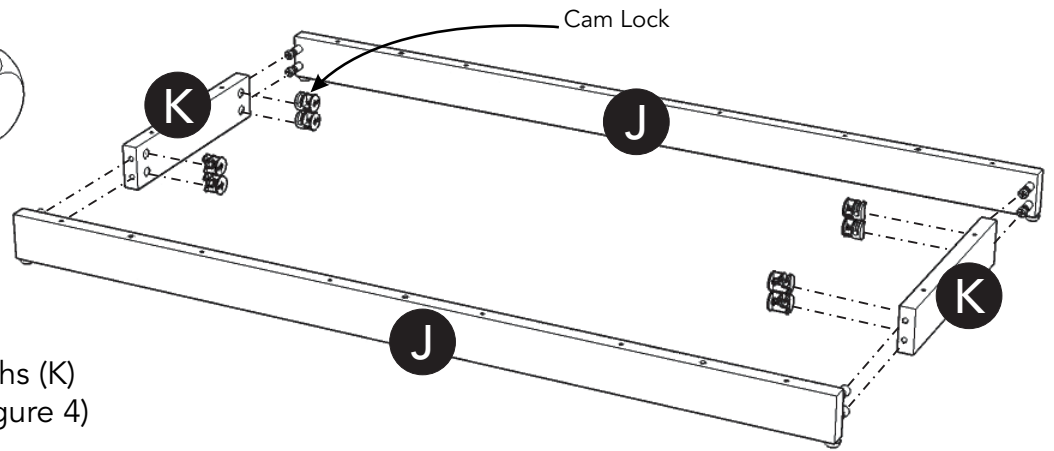
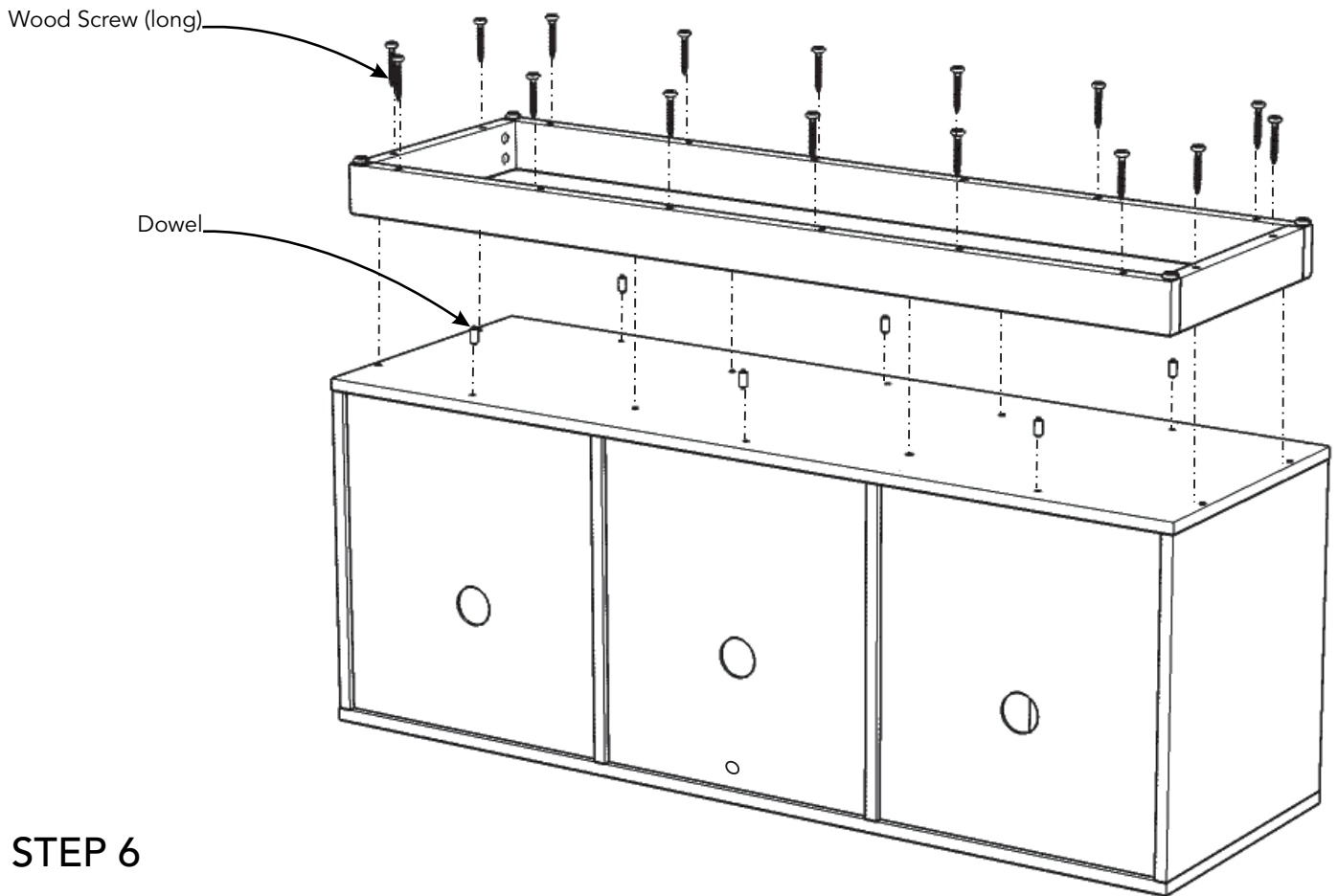


Figure 4



### STEP 5

Attach Plinths (J) to Plinths (K) with Cam Locks. (See Figure 4)

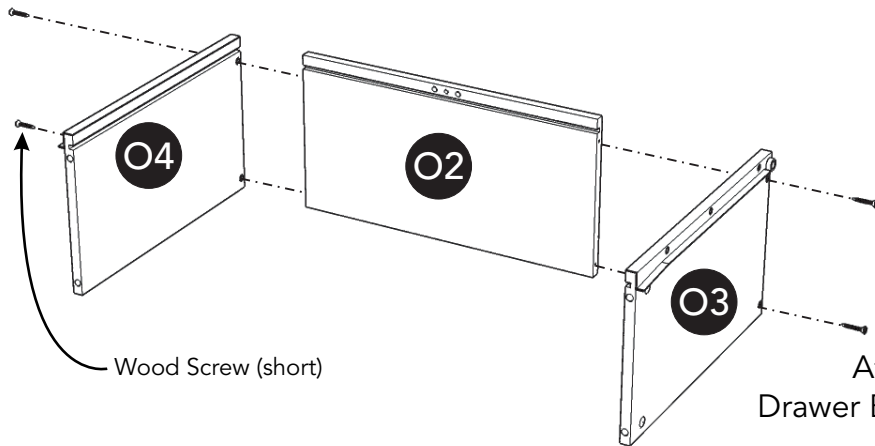


### STEP 6

Attach unit from Step 5 to unit from Step 4 with Dowels and Wood Screws (long) into pre-drilled holes.

# Assembly Instructions 5/8

## Drawer (O)



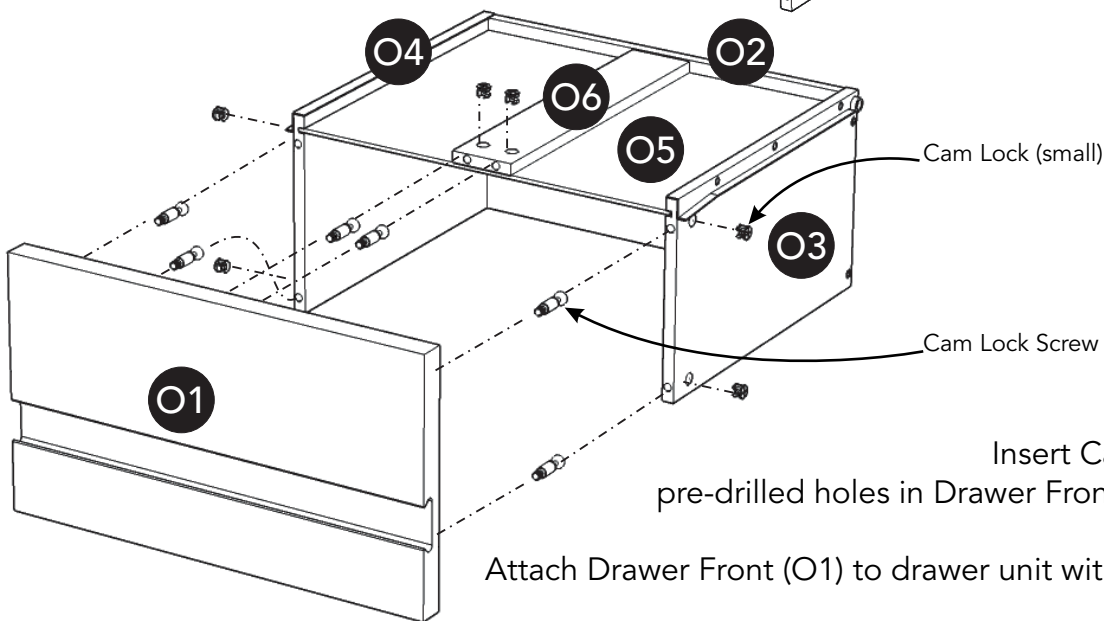
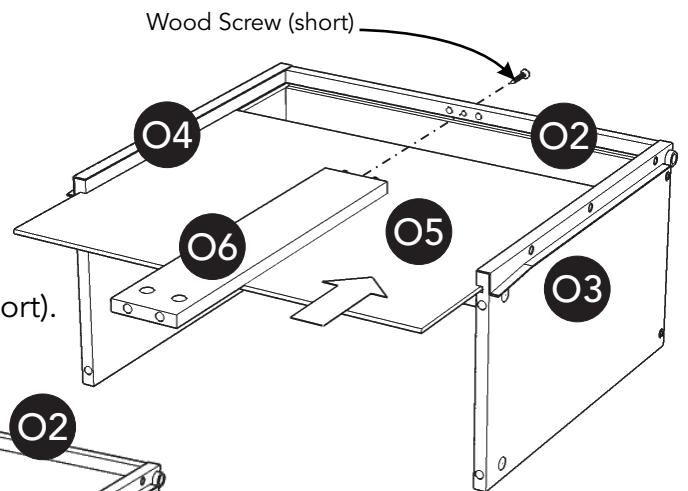
### STEP 7

Attach Drawer Sides (O3) and (O4) to Drawer Back (O2) with Wood Screws (short).

### STEP 8

Slide Drawer Bottom (O5) into grooves in Drawer Sides (O3) and (O4) until it meets Drawer Back (O2).

Attach Support (O6) to unit with Wood Screws (short).



### STEP 9

Insert Cam Lock Screws into pre-drilled holes in Drawer Front (O1), then tighten.

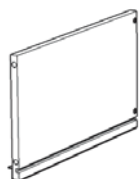
Attach Drawer Front (O1) to drawer unit with Cam Locks (small).



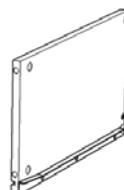
O1.  
Drawer Front  
1 pc.



O2.  
Drawer Back  
1 pc.



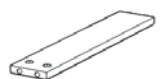
O3.  
Drawer Side  
1 pc.



O4.  
Drawer Side  
1 pc.



O5.  
Drawer Bottom  
1 pc.



O6.  
Support  
1 pc.

## Assembly Instructions 6/8

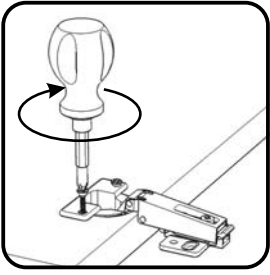
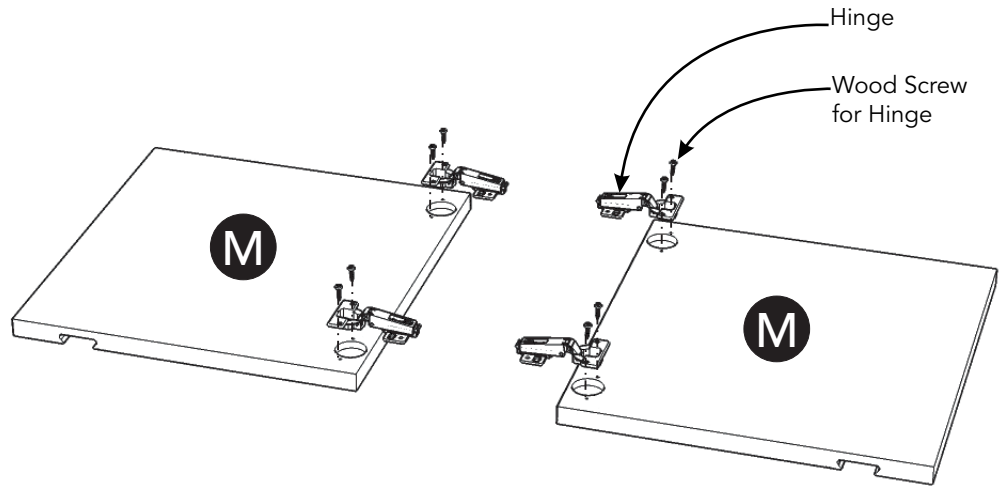


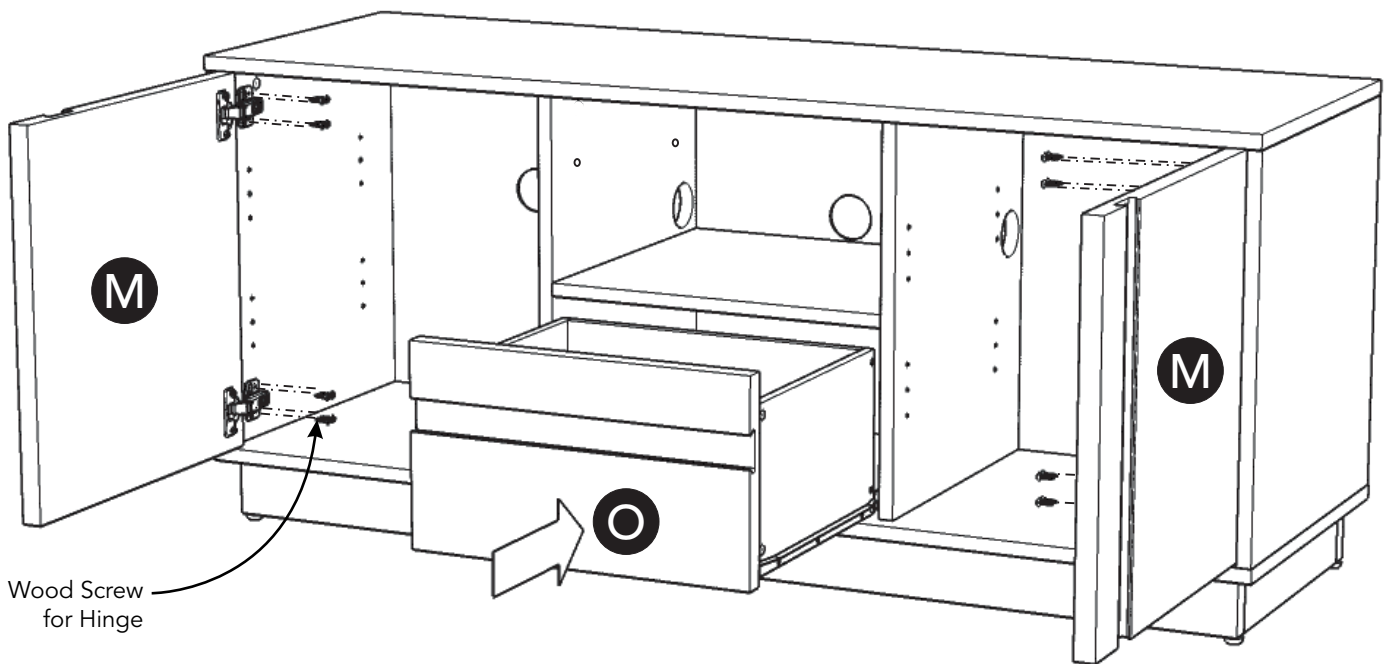
Figure 5



### STEP 10

Place Doors (M) upside down on a soft cloth.

Attach Hinges to Doors (M) with Wood Screws for Hinge into pre-drilled holes, then tighten. (See Figure 5)



### STEP 11

Attach Doors (M) to unit with Wood Screws for Hinge. (See Figure 6)

Slide Drawer (O) into position.

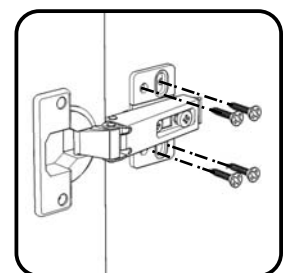


Figure 6

# Assembly Instructions 7/8

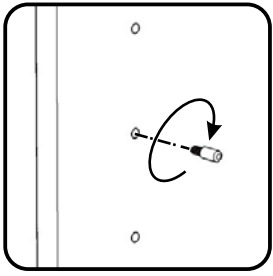
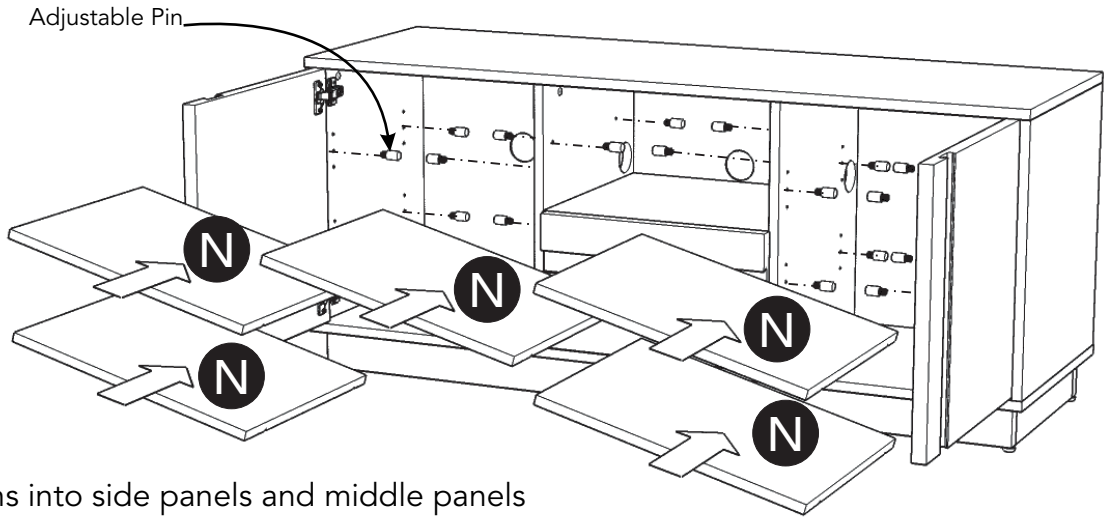


Figure 7



## STEP 12

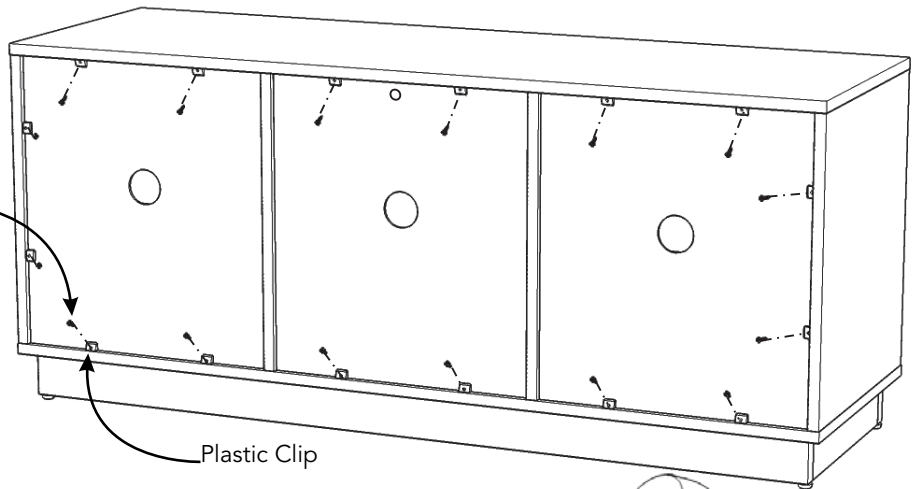
Insert Adjustable Pins into side panels and middle panels at desired level. (See Figure 7)

Place Shelves (N) into position.

## STEP 13

Level unit by adjusting the adjustable levelers on bottom of unit. (See Figure 8)

Wood Screw for Plastic Clip



Plastic Clip

Attach Plastic Clips to unit with Wood Screws for Plastic Clip. (See Figure 9)

Note: Unit must be level before attaching these Plastic Clips.

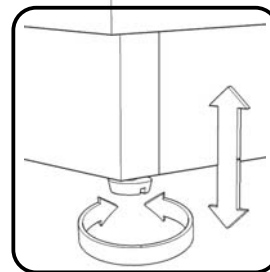


Figure 8

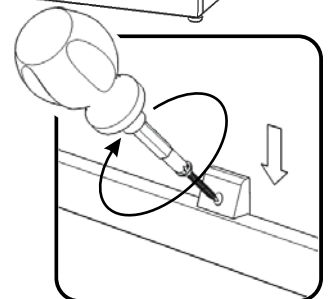


Figure 9

## STEP 14

If needed, adjust doors up or down by removing the front Wood Screws for Hinge and loosening slightly the back Wood Screws for Hinge from side panel, adjusting doors up or down and re-installing screws. (See Figure 10).

If needed, adjust doors left to right. (See Figure 11)

If needed, adjust doors front to back. (See Figure 12)

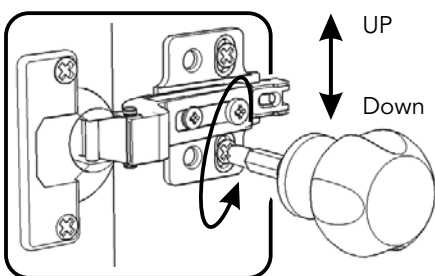


Figure 10

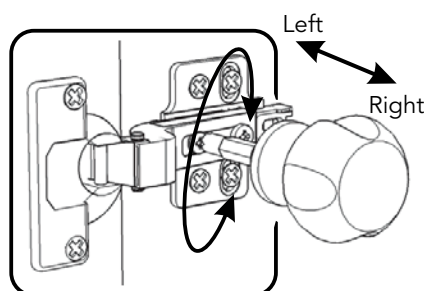


Figure 11

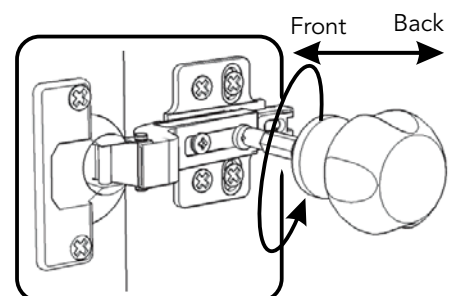


Figure 12



# Assembly Instructions 8/8

## IMPORTANT

- To help reduce the risk of the unit tipping over, the Tip-over Restraint must be installed following these instructions exactly.

## STEP 15

Place unit at desired location.

Drill a 3/8" hole in wall in-line with pre-drilled hole at top of unit.

Move unit.

Insert Anchor into the wall hole and attach Bracket with Wall Screw.

Attach Bracket at pre-drilled hole at top of unit with Wood Screw.

Move unit back into place.

Slide Tip-over Restraint through Bracket on wall and Bracket on unit.  
(See Figure 13)

Put tie end of Tip-over Restraint into lock end of Tip-over Restraint and pull until tight.

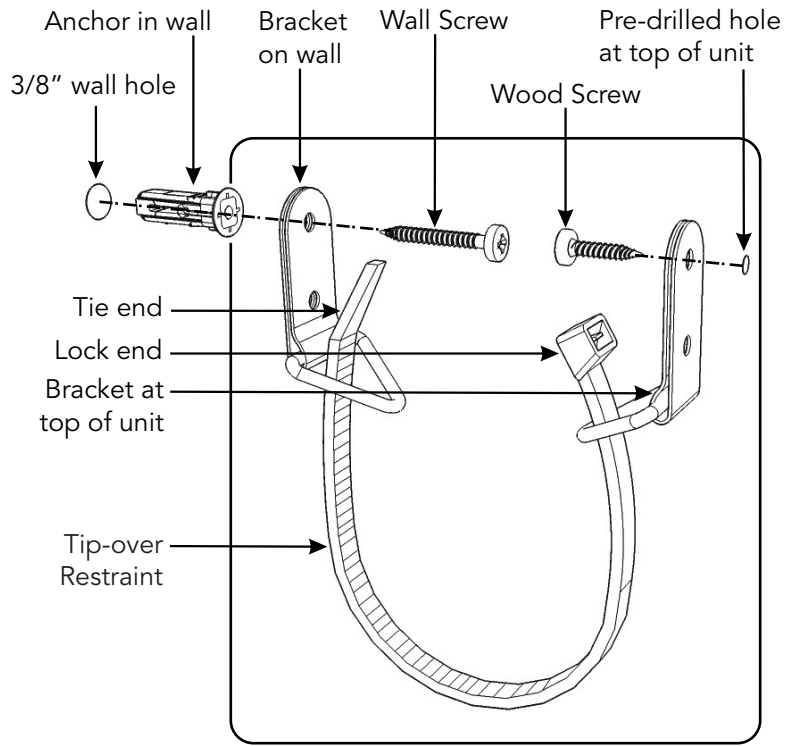
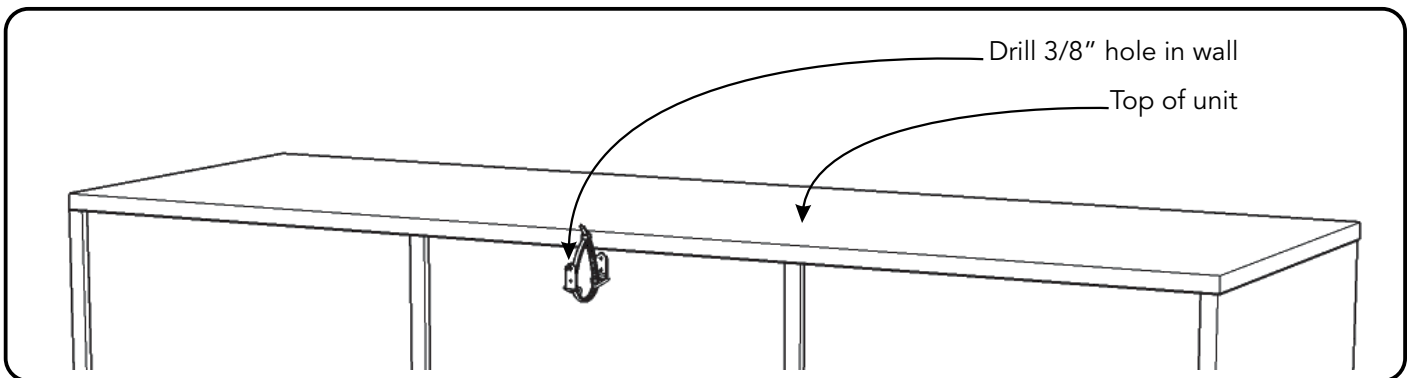
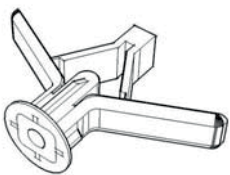


Figure 13



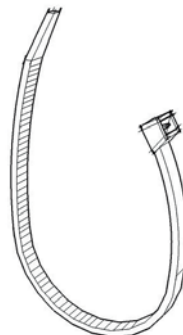
## Hardware List



Anchor  
1 pc. (+1 extra)



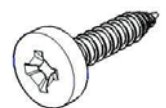
Bracket  
2 pcs. (+1 extra)



Tip-over Restraint  
1 pc. (+1 extra)



M3.5x38  
Wall Screw  
1 pc. (+1 extra)



M3x16  
Wood Screw  
1 pc. (+1 extra)



# CARE INSTRUCTIONS

## NEVER

allow liquids to remain on furniture.  
Absorption causes parts to warp  
and split and finishes to delaminate.

## NEVER

use glass cleaners on  
finished furniture. Ammonia  
chemically attacks the finish.



Do not use power tools  
above 8 volts to assemble.  
**PREVENT  
CRACKING**



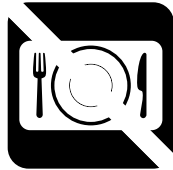
Do not place  
in direct sunlight.  
**PREVENT  
FADING**



Do not write  
directly on surface.  
**PREVENT  
MARKING**



Do not place hot  
objects on surface.  
**PREVENT  
FINISH DAMAGE**



Do not use rubber  
based placemats.  
**PREVENT  
DISCOLORING**



Do not use commercial  
waxes and polishes.  
**PREVENT  
YELLOWING**

## CLEAN

with a soft cloth moistened  
in lukewarm soap and water.  
Buff with a dry clean cloth.



Home Styles will provide replacements free of charge for missing or damaged hardware or parts within 30 days of purchase. Digital images of the defective parts may be required. If the product was not purchased from an authorized retail affiliate, Home Styles is under no obligation to provide replacement parts. Parts are not available for fully assembled items nor are parts available for sale. Replacements for missing or damaged hardware or parts may be requested at:

[www.homestyles-furniture.com/customer-service/replacement-parts](http://www.homestyles-furniture.com/customer-service/replacement-parts)

Home Styles Customer Service: [www.homestyles-furniture.com](http://www.homestyles-furniture.com),  
[servicedesk@homestyles-furniture.com](mailto:servicedesk@homestyles-furniture.com), 888-680-7460, 877-831-0319