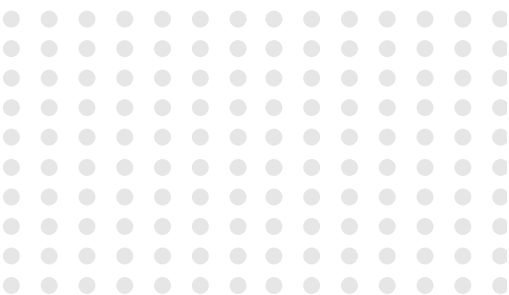


# NICOR® | RSDS-M

Surface Mount Downlight  
with PIR Motion Sensor

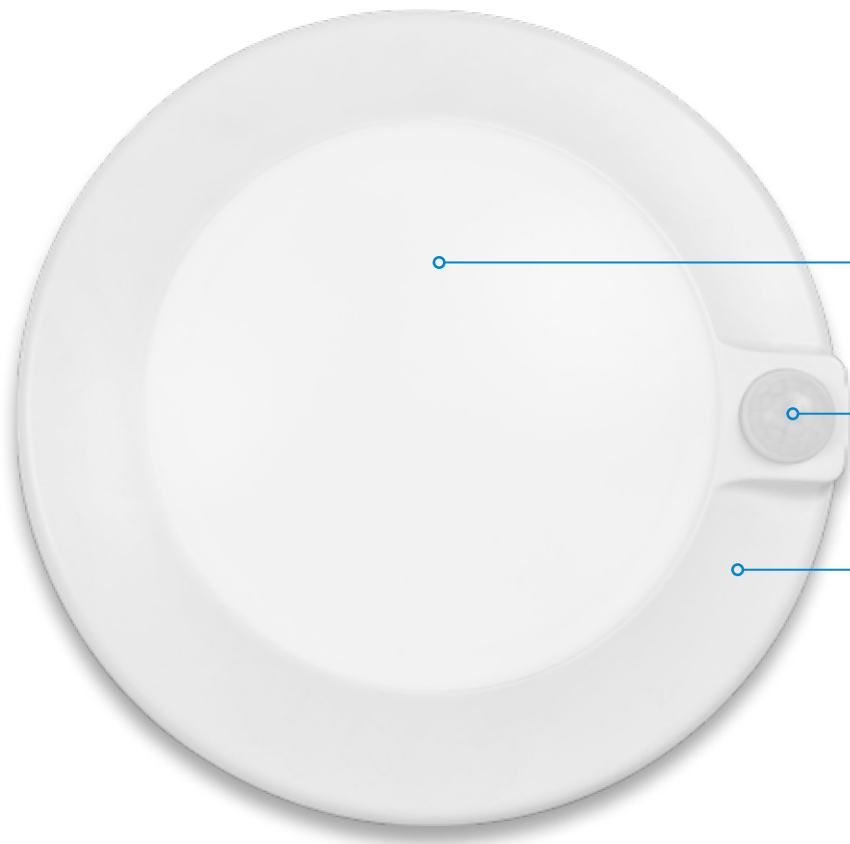


# RSDS-M



The RSDS-M Surface Mount Downlight with PIR Motion Sensor offers a thin installation solution that provides automatic on/off control. Select the CCT (3000/4000/5000K) with the flip of a switch. Installation is easier than ever with the twist lock diffuser that can be removed for installation. The direct box mount ensure it sits flush to the ceiling for a clean and professional look. Perfect for bringing even illumination with automatic controls to closets, pantries, and similar areas.

## FEATURES



### CCT Selectable

Selectable CCT models ranging from 3000K/4000K/5000K

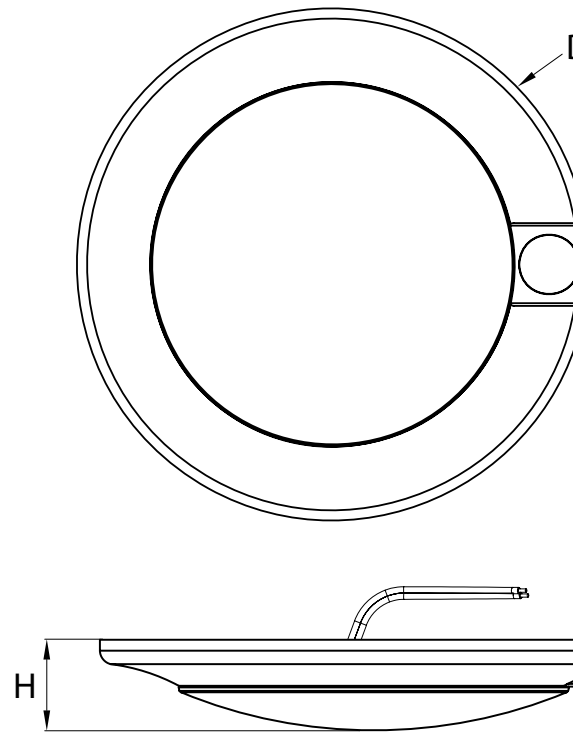
### PIR MOTION SENSOR

Included PIR Motion Sensor offers a thin installation solution that provides automatic on/off control.

### Size Options

Available in 4" and 6" sizes

# Product Information



### Construction

- Stamped steel body
- Twist-lock diffuser allows for easy removal during installation

### Optical System

- Molded polymer, UV stabilized diffuser maximizes light output.
- Convex diffuser creates uniform light distribution while reducing glare
- Offered in 3CCT selection of 3000K, 4000K, and 5000K

### Electrical

- Input voltage of 120VAC, 60Hz
- CCT switch located on back of fixture
- Integrated PIR motion sensor
- Dimmable to 5% with compatible leading edge (TRIAC) and trailing edge (ELV) dimmers
- Operating temperature rating of -4°F to 104°F (-20°C to 40°C)

### Finish

- White powder coat finish standard

### Mounting and installation

- Easy installation in any 4" pancake, 4" non-metallic or 4/O junction box
- Keyhole mounting slots allow for quick installation to junction boxes
- For installations where power surge may be possible, NICOR recommends installing additional surge protection at the electrical distribution panel

### Listings

- cETLus 1598 Listed for wet locations
- ENERGYSTAR Listed
- CA Title 24/JA8 Compliant
- Compliant with NFPA® 70, NEC® Section 410.16 (A)(3) and 410.16 (C)(5) for closet use
- RoHS Compliant
- Meets FCC Part 15, Subpart B, Class B standards for conducted and radiated emissions
- TM-21 Reported L70(9k) life >54,000 hours
- LM-79, LM-80 testing performed in accordance with IESNA standards

### Warranty

- 5-year limited system warranty standard
- Warranty does not cover product failure due to an over-voltage event (power surge)

Dimensions		
Fixture	Diameter (D)	Height (H)
RSD4S	6.2" (157mm)	1.2" (31mm)
RSD4SM	7.4" (188mm)	1.3" (34mm)

Photometric Data (3000K)		
Performance Data	RSD4SM	RSD6SM
Input Voltage (VAC)	120V	120V
System Level Power (W)	9.8	14.5
Delivered Lumens (Lm)	611	832
System Efficacy (Lm/W)	62.3	57.4
Correlated Color Temp (K)	3005	3057
Color Rendering Index (CRI)	91 R9=50	92 R9=54
Beam Angle (θ)	109°	113°
Spacing Criteria (θ)	1.24	1.26

Ordering Information					
Ex. RSD561120SWH					
Series	Version	Voltage	CCT's	Trim Color	Sensor
RSD4SM	1	120	S (Selectable 3000/4000/5000K)	WH (White)	M (PIR sensor)
RSD6SM					

Housing Compatibility*
Most 4" Pancake, 4" Non-Metallic or 4/O junction boxes

Recommended Dimmers*	
Lutron Diva DVCL-153P	Lutron Maestro MACL-153M
Eaton Cooper SLC03P	Leviton IPL06
Lutron DIVA DVELV-300P	

\*Not a complete list. Check compatibility before installation



## Warehouse Locations

Albuquerque, NM  
Atlanta, GA  
Buford, GA  
Detroit, MI  
Folcroft, PA

Houston, TX  
Roseville, CA  
Syracuse, NY  
Van Nuys, CA

T. 800.821.6283

F 800.892.8393

[www.nicorlighting.com](http://www.nicorlighting.com)

2200 Midtown Pl. NE  
Albuquerque, NM 87107 USA



LIT-RSDSM-10PK 20220909

©2022 NICOR® • ALL RIGHTS RESERVED



**NICOR**<sup>®</sup>