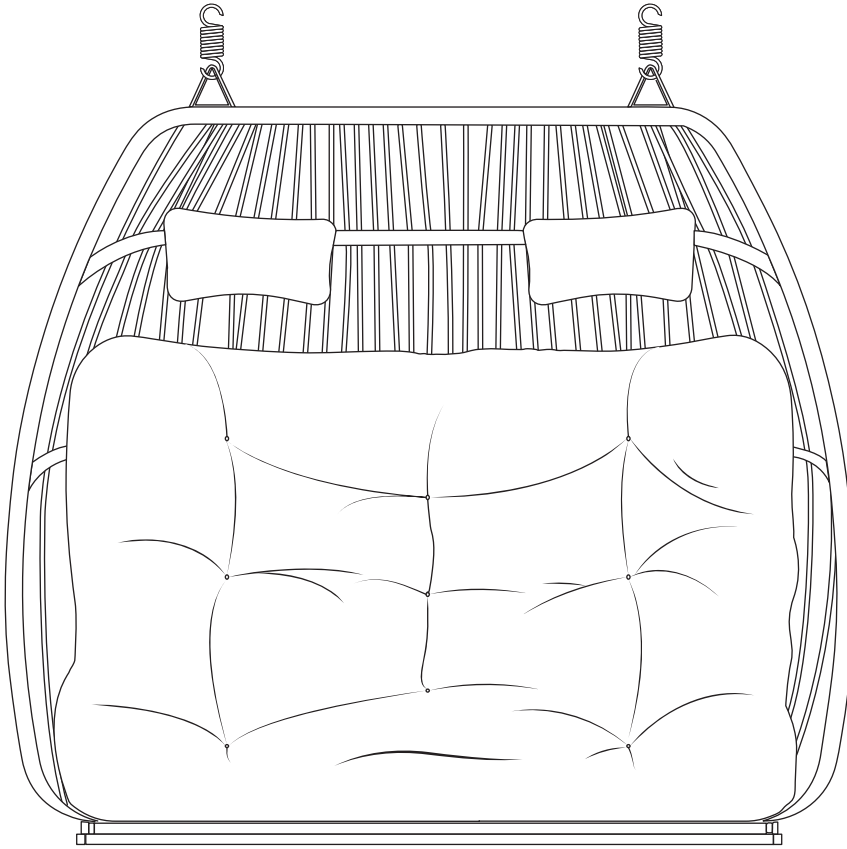





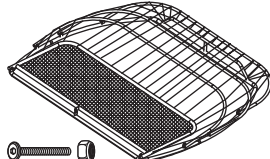
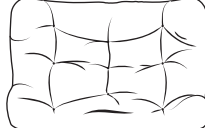





Thank you for choosing Sunnydaze Decor. We stand behind our brand and the quality of the items we sell. Replacement parts or products will be sent at our discretion within the 1-year warranty period. Proof of purchase, with the date of purchase as well as photos of the merchandise defect, must be provided. Photos are used to determine the cause of defects and for future quality control. Register your warranty at <https://tiny.cc/SunnydazeWarranty>. If you have any questions, comments or concerns, feel free to contact us by phone at 833-982-1977, by email: customerservice@sunnydazedecor.com, or via our contact us page at <https://tiny.cc/SunnydazeContact>


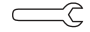

ANDREI HANGING DOUBLE EGG CHAIR DL-851

Review all assembly and care information before using this product. Save this manual for future reference.
Assemble components on a soft, clean surface to avoid damaging the finish.

Inspect packaging to ensure all parts are accounted for before disposing of packing materials.
 Save the packing slip.

No.	PARTS	QTY.
E	 Safety Strap	2
H	 Chair Brace	2
I	 Egg Chair with (2) M6x35mm Bolts	1
J	 Cushion	1
K	 Pillow	2
Q	 Extension Spring	2
U	 M6x15mm Bolt Set	2
V	 M6x22mm Bolt Set	4
W	 M6x28mm Bolt Set	2

INCLUDED TOOLS	
	Hex Key
	Spanner
	Triple Spanner

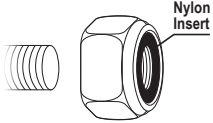
⚠ WARNING ⚠
CHOKING HAZARD — This item contains small parts that can be swallowed. Keep children and pets away during assembly.

⚠ WARNING: Failure to read and follow instructions and safety warnings could result in serious injury or damage to property.

ASSEMBLY



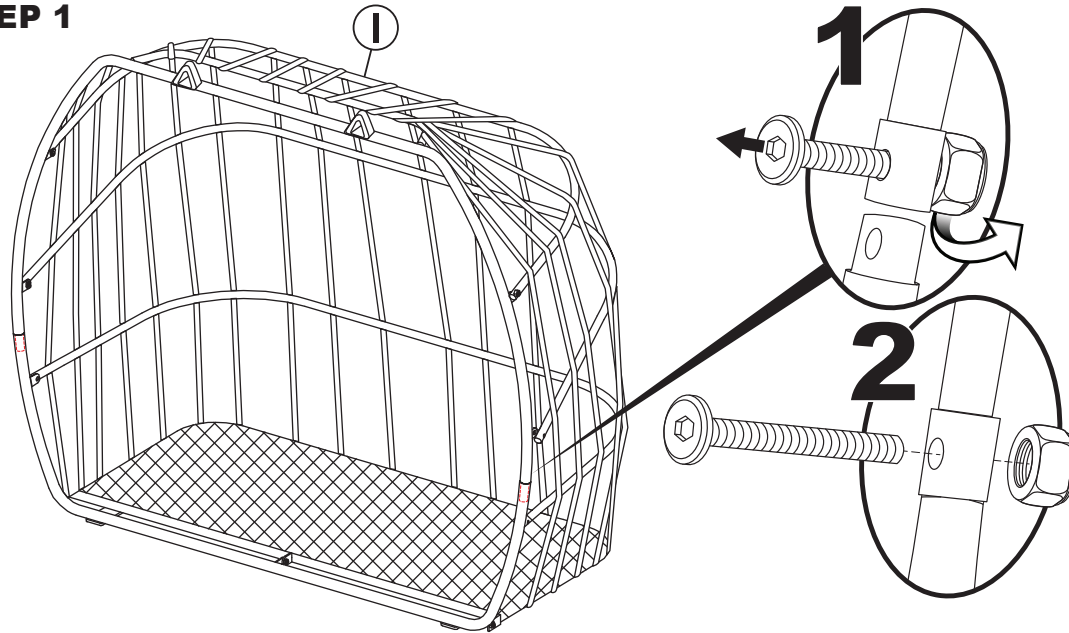
Carefully read all assembly steps, care instructions, and safety information before using this product.



IMPORTANT: Lock nuts must be installed with the nylon insert on the outside. Hand-tighten the nut until you feel resistance, which is caused by the nylon insert. Tools are required to fully tighten lock nuts, failure to properly tighten the lock nuts may result in product malfunction or personal injury.

STEP 1

I: 1



Locate and remove the two M6x35mm bolt sets from the frame of the chair, as shown.

Align the mounting holes on both sides of the front frame and secure using the above bolts.

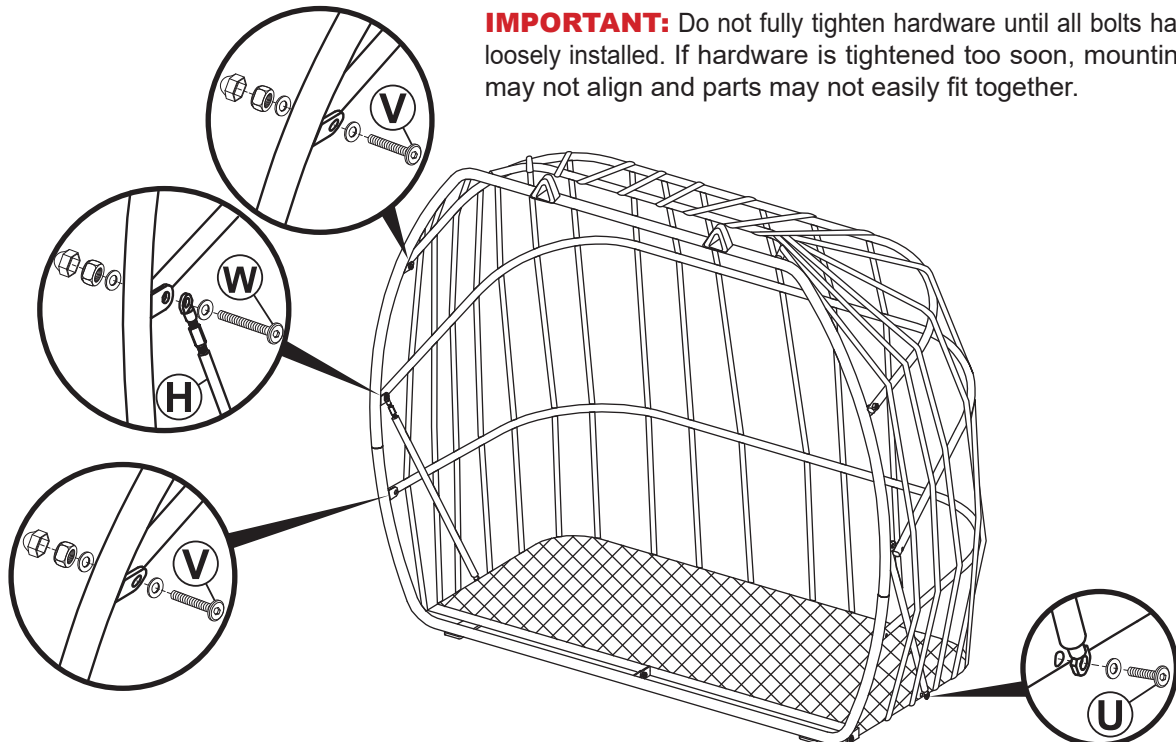
STEP 2

H: 2

U: 2

V: 4

W: 2



IMPORTANT: Do not fully tighten hardware until all bolts have been loosely installed. If hardware is tightened too soon, mounting holes may not align and parts may not easily fit together.

Loosely secure the top and bottom horizontal bars in the back of the chair to the front frame using four M6x22mm Bolt Sets (V).

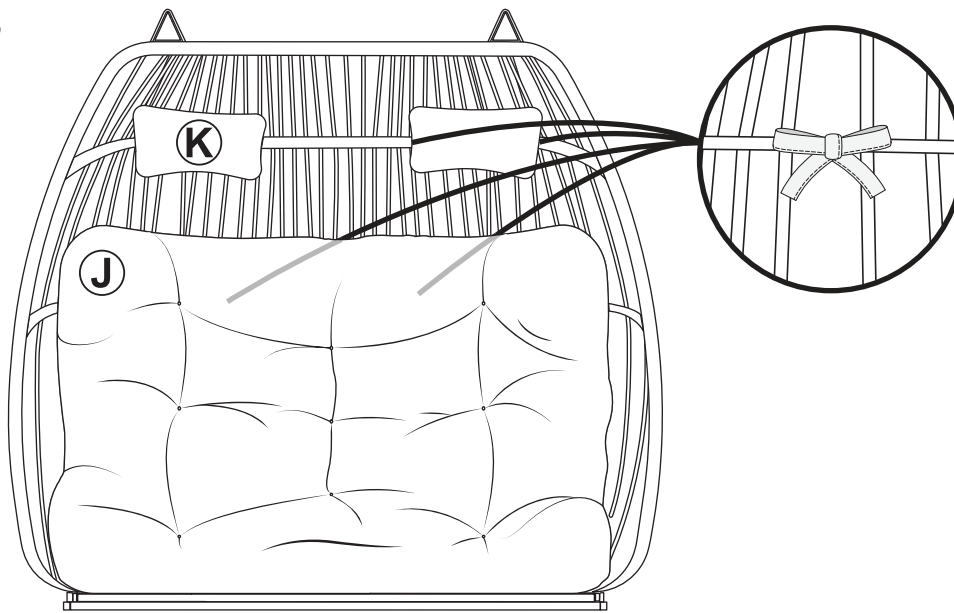
Align one end of Chair Brace (H) with the outside of the inside of the middle horizontal bar and loosely secure using one M6x28mm Bolt Set (W). Then, secure the other end of the chair brace with the outside of seat and loosely secure using one M6x15mm Bolt Set (U). Repeat on the opposite side of the chair.

Finish tightening all hardware and place nut caps as indicated above.

STEP 3

J: 1

K: 2



IMPORTANT:

Do not tie the seat cushion or pillows to the rattan material, as doing so may cause the rattan to break and unravel.

Position Cushion (K) on the seat of the chair. Then, tie the back of the cushion to the frame of the chair.

Tie two Pillows (K) to the top horizontal bar.

Care & Maintenance

HANGING: The included hanging hardware is designed for use with a Sunnydaze Egg Chair Stand (not included). If installing from a ceiling or structure, consult a professional to ensure safety.

Hang the chair at a height where the user can safely enter and exit, and adjust the chain length as necessary.

This egg chair is intended to be used by adults and person(s) with developed motor skills who understand the potential dangers if it is misused. Supervise children at all times. Never allow small or young children to enter or exit the chair without adult assistance. Never allow or encourage children to sleep or play in the chair. Instead, teach and practice safe use.

SAFE USE: Do not swing, bounce, jump, twist, or make other excessive movements while using this chair; doing so may cause serious injury. Do not use this chair without the safety strap; this strap helps keep the chair safely in place while the user enters and exits the chair. Never stand or climb on the chair. Do not exceed the weight capacity.

INSPECT: Check the rattan and frame for damage before each use; do not use the chair if they are broken. Periodically check hardware and tighten as necessary.

SUN EXPOSURE: All fabrics will eventually fade from sun exposure. Maintain fabric color and integrity by storing the cushion and pillows indoors when not in use.

WINTER CARE & STORAGE: Maintain the appearance and prevent damage by storing this item indoors when not in use.

Store indoors during winter and inclement weather. A cool, dry location is recommended to prevent damage. Covering with a breathable cover while in storage helps prevent dust build-up. Ensure cushions are completely dry before storing as moisture promotes mold and mildew growth.

Cleaning



HAND-WASH ONLY



DO NOT USE BLEACH OR FABRIC SOFTENERS



DO NOT TUMBLE DRY



DO NOT DRY CLEAN



DO NOT IRON

Spot clean with a soft, damp cloth.

For stubborn stains on the cushions, hand-wash with mild soap and warm water. Rinse thoroughly, ensuring all soap residue has been removed. To help remove excess water, press cushions between two dry towels. Allow to thoroughly air dry before use or storage.

SAFETY STATEMENTS & WARNINGS

- Do not exceed the weight capacity.
- For residential use only.
- Sunnydaze Egg Chair is not a swing. Therefore, do not swing, bounce, jump, twist, or spin in the chair.
- Never use the chair without the provided safety strap.
- Do not loop the safety strap around the rope material of the chair.
- Inspect the chair for damage and ensure all materials are intact before each use.
- Do not allow children to use this product without adult supervision.

Any modification to the product or failure to follow recommended care will void the product warranty.

If you experience issues with assembly or the product was damaged during shipping, please contact our customer service team through one of the methods mentioned at the top of page 1. Please have the item number and order information ready to expedite response time.

WARNING!

Manufacturer and seller expressly disclaim any and all liability from personal injury, property damage or loss, whether direct or indirect, or incidental, resulting from the incorrect attachment, improper use, inadequate maintenance, or neglect of this product.