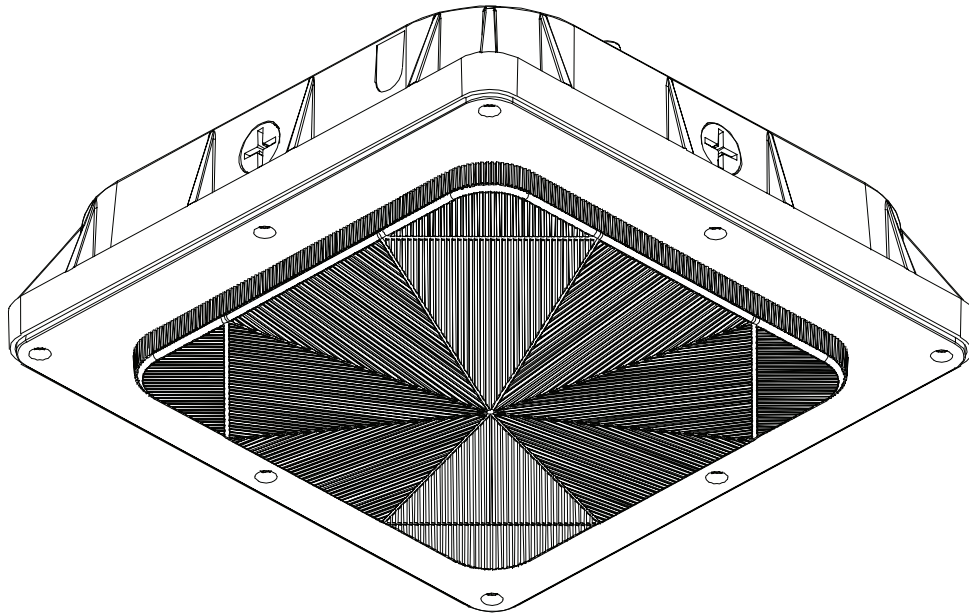


USE AND CARE GUIDE

LED OUTDOOR COMMERCIAL CANOPY



READ BEFORE INSTALLATION
SAVE THESE INSTRUCTIONS



THANK YOU

We appreciate the trust and confidence you have placed in Feit Electric through the purchase of this product. We strive to continually create quality products designed to enhance your home. Visit us online to see our full line of products available for your home improvement needs. Thank you for choosing Feit Electric!

Table of Contents

Table of Contents	2	Hardware Included	3
Safety Information	2	Junction Mount Installation	4
Care and Maintenance	2	Surface Mount Installation	5-6
Warranty	2	Wiring Diagrams	6
Pre-Installation	3	Color Select Switch	7
Tools Required	3	Troubleshooting	7

Safety Information

For your safety, always remember to:

- Turn off the power supply at the fuse or circuit breaker box before you install the fixture.
- Ground the fixture to avoid potential electric shock and to ensure reliable starting.
- Double-check all connections to be sure they are tight and correct.
- Wear rubber soled shoes and work on a sturdy wooden ladder.
- Account for small parts and destroy packing material, as these may be hazardous to children.

This fixture is designed for use in a circuit protected by a fuse or circuit breaker. It is also designed to be installed in accordance with local electrical codes. If you are unsure about your wiring, consult a qualified electrician or local electrical inspector, and check your local electrical code.

Account for small parts and destroy packing material, as these may be hazardous to children.

Supplier's Declaration of Conformity:
47 CFR § 2.1077 Compliance Information

Responsible Party:
Feit Electric Company
4901 Gregg Road,
Pico Rivera, CA 90660, USA
562-463-2852


Unique Identifier:
S10CNPY/5CCT/BZ

FCC STATEMENT: This device complies with part 15 of the FCC Rules. Operation is subject to the following two conditions: (1) This device may not cause harmful interference, and (2) this device must accept any interference received, including interference that may cause undesired operation. Note: This equipment has been tested and found to comply with the limits for a Class B digital device, pursuant to part 15 of the FCC Rules. These limits are designed to provide reasonable protection against harmful interference in a residential installation. This equipment generates, uses and can radiate radio frequency energy and, if not installed and used in accordance with the instructions, may cause harmful interference to radio communications. However, there is no guarantee that interference will not occur in a particular installation. If this equipment does cause harmful interference to radio or television reception, which can be determined by turning the equipment off and on, the user is encouraged to try to correct the interference by one or more of the following measures: Reorient or relocate the receiving antenna. Increase the separation between the equipment and receiver. Connect the equipment into an outlet on a circuit different from that to which the receiver is connected. Consult the dealer or an experienced radio/TV technician for help. Any changes or modifications not expressly approved by the manufacturer could void the user's authority to operate the equipment.

Product Specifications:

- 120/277 VAC, 50/60Hz, 44 Watts
- Dimmable with 0-10V dimmer only
- Suitable for wet locations

 **WARNING: RISK OF SHOCK.** House electric current can cause painful shock or serious injury unless handled properly.

 **CAUTION:** Turn off the main power at the circuit breaker before installing the fixture, in order to prevent possible shock.

 **WARNING:** Changes or modifications to this unit not expressly approved by the party responsible for compliance could void the user's authority to operate the equipment.

 **WARNING: RISK OF CUTS.** Some metal parts in the fixture may have sharp edges. To prevent cuts and scrapes, wear gloves when handling the parts.

NOTICE: All electrical connections must be in accordance with local and National Electrical Code (N.E.C.) standards. If you are unfamiliar with proper electrical wiring connections obtain the services of a qualified electrician.

Remove the fixture and the mounting package from the box and make sure that no parts are missing by referencing the illustrations on the installation instructions.

Care and Maintenance

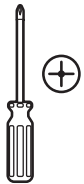
Periodically clean the fixture and diffuser using a mild, non-abrasive cleaner and soft cloth. When cleaning the fixture, make sure the power is turned off. Do not spray cleaner directly onto any part of the fixture or LEDs.

Limited Warranty

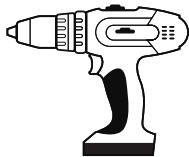
This product is warrantied to be free from defects in workmanship and materials for up to 5 years from date of purchase. If the product fails within the warranty period, please contact Feit Electric at info@feit.com, visit feit.com/contact-us or call 1-866-326-BULB (2852) for instructions on replacement or refund. REPLACEMENT OR REFUND IS YOUR SOLE REMEDY. EXCEPT TO THE EXTENT PROHIBITED BY APPLICABLE LAW, ANY IMPLIED WARRANTIES ARE LIMITED IN DURATION TO THE DURATION OF THIS WARRANTY. LIABILITY FOR INCIDENTAL OR CONSEQUENTIAL DAMAGES IS HEREBY EXPRESSLY EXCLUDED. Some states and provinces do not allow the exclusion of incidental or consequential damages, so the above limitation or exclusion may not apply to you. This warranty gives you specific legal rights, and you may also have other rights which vary from state to state or province to province.

Pre-Installation

TOOLS REQUIRED (NOT INCLUDED)




Phillips screwdriver



Drill



15/64 in. Drill bit

 **NOTE:** Hardware not shown to actual size.

HARDWARE INCLUDED



AA



BB



CC



DD



EE



FF

Part	Description	Quantity
AA	Canopy Fixture	1
BB	Mounting Bracket	1
CC	Wire Nuts	5
DD	Plastic Anchors	4
EE	#10 2 in. Wood Screws	4
FF	J-Box Mounting Screws	2

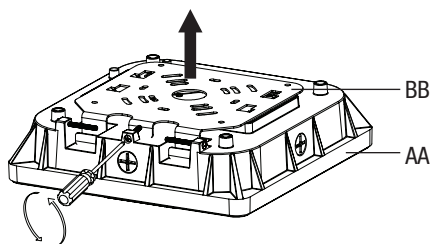
Junction Mount Installation

1 Turning Off the Power

- Turn the power OFF at the wall switch and fusebox or the circuit breaker.

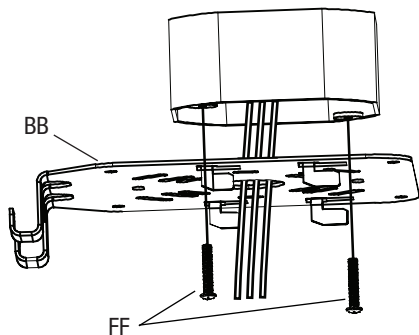
2 Removing the Mounting Plate

- Loosen the screw on the side of the Canopy Fixture (AA) and remove the Mounting Plate (BB).



3 Installing the Mounting Plate

- Make sure the power is off. Feed the power supply wires through the center of the Mounting Plate (BB).
- Attach the Mounting Plate (BB) onto the Junction Box with the J-box Mounting Screws (FF).

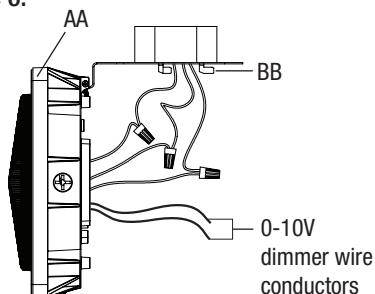


4 Hanging the Canopy

- Hang the Canopy Fixture (AA) on the Mounting Plate (BB).
- Connect the Canopy Fixture (AA) wires to the power supply wires. See wiring diagram A or diagram B on page 6.

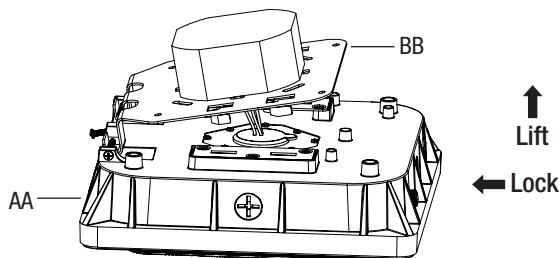


NOTE:
Purple and Pink wires to be used with 0-10V dimmers only (purple +10V, pink -10V).



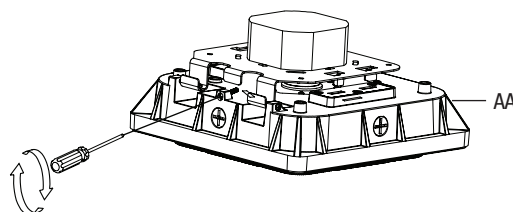
5 Locking the Canopy

- Feed the wires into the J-Box. Lock the Canopy Fixture (AA) on to the Mounting Plate (BB) hooks.



6 Securing the Canopy

- Tighten the screw on the side of the Canopy Fixture (AA) to lock the Canopy Fixture (AA) in place.



7 Waterproof Seal

- To prevent water or moisture from entering the fixture between the fixture and mounting surface, waterproof silicon, caulk or gel should be applied to seal any gaps around the junction point.

8 Turning On the Power

- Turn power back on at the wall switch, circuit breaker or fusebox.

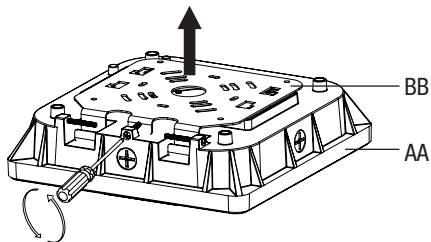
Surface Mount Installation

1 Turning Off the Power

- Turn the power OFF at the wall switch and fusebox or the circuit breaker.

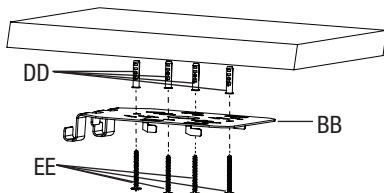
2 Removing the Mounting Plate

- Loosen the screw on the side of the Canopy Fixture (AA) and remove the Mounting Plate (BB).



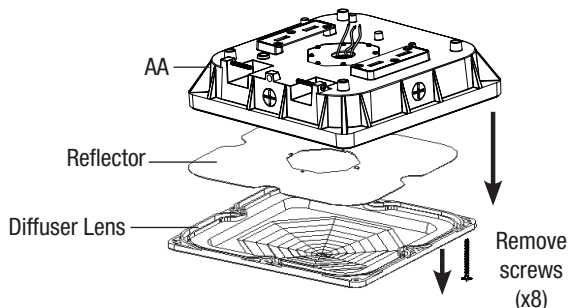
3 Installing the Mounting Plate

- Position the Mounting Plate (BB) and mark the locations for 4 Wood Screws. Drill holes with a 15/64 in. drill bit and insert the Plastic Anchors (DD).
- Attach the Mounting Plate (BB) by securing 4 Wood Screws (EE) to the Plastic Anchors (DD).



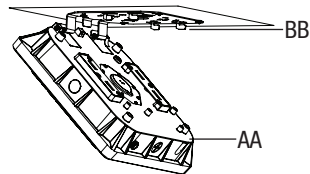
4 Disassembling the Canopy

- Disassemble the canopy (AA) fixture by using a phillips screwdriver to loosen the eight screws holding the diffuser lens. Remove the diffuser lens and the reflector from the fixture, then pull the wires (black, white, purple, pink, and green-yellow or green) into the fixture's cavity.



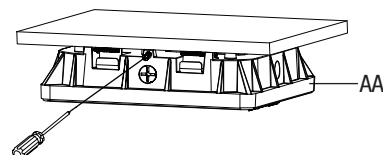
5 Locking the Canopy

- Add caulking on the opened holes of the gasket where the wires were passing through. Lock the Canopy Fixture (AA) on to the Mounting Plate (BB) hooks.



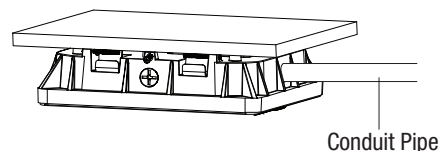
6 Securing the Canopy

- Tighten the screw on the side of the Canopy Fixture (AA) to lock the Canopy Fixture (AA) in place.



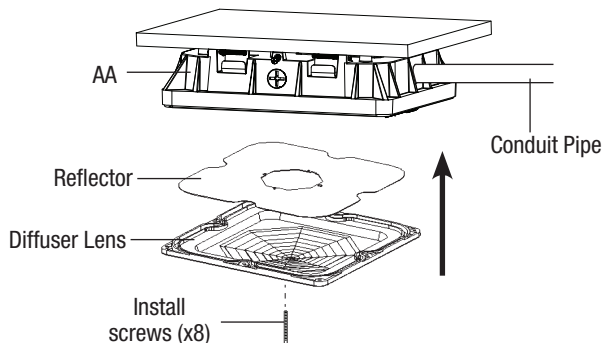
7 Connecting to a Power Source

- Make sure power is off. Remove the 1/2 inch plug from the direction you intend to feed the conduit. Connect the power supply wires to the fixture.
- See wiring diagram A or diagram B on page 6.



8 Re-assembling the Canopy

- Assemble the reflector and diffuser lens back on the canopy (AA) fixture.



Surface Mount Installation (continued)

9 Waterproof Seal

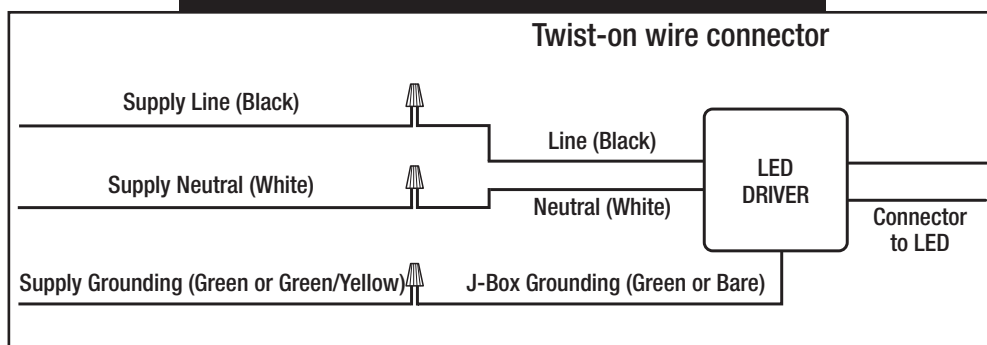
- To prevent water or moisture from entering the fixture between the fixture and mounting surface, waterproof silicon, caulk or gel should be applied to seal any gaps around the junction point.

10 Turning On the Power

- Turn power back on at the wall switch, circuit breaker or fusebox.

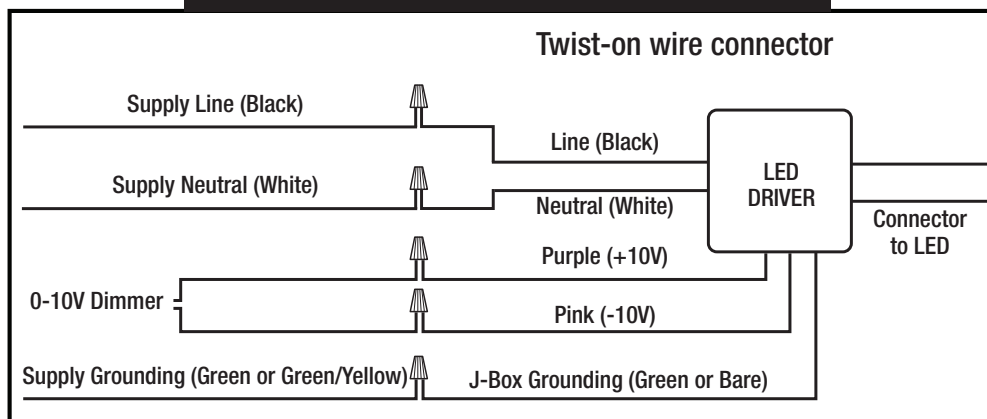
Wiring for a Standard Wall Switch

WIRING DIAGRAM A



Wiring for 0-10V Dimmer

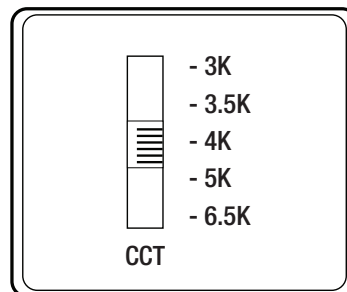
WIRING DIAGRAM B



Color Select Switch

Slide the Color Temperature switch to point to either 3K, 3.5K, 4K, 5K, 6.5K.

- 3K (3000K) – Soft White
- 3.5K (3500K) – Neutral White
- 4K (4000K) – Bright White
- 5K (5000K) – Daylight
- 6.5K (6500K) – Daylight Deluxe



Troubleshooting

Problem	Possible Cause	Corrective Action
The light will not illuminate.	The power is off.	Make sure the power supply is on.
	There is a faulty wire connection.	Check the wiring. Contact a qualified and licensed electrician if you are not comfortable troubleshooting wiring problems.
	There is a faulty wire switch.	Test or replace the switch.