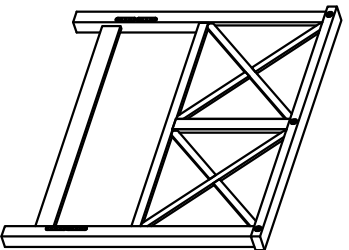
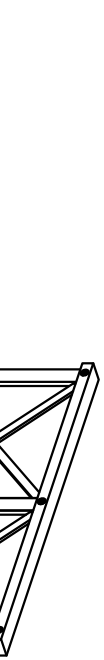


YOSEMITE STORAGE QUEEN BED HBW ASSEMBLY INSTRUCTIONS

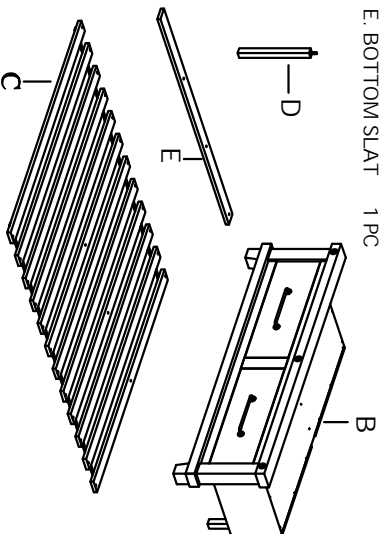


BOX#1
A. HEADBOARD 1PC

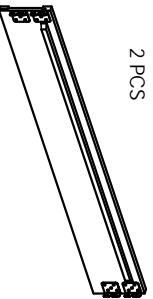
STORAGE QUEEN BED ASSEMBLED



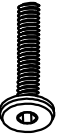


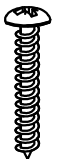
BOX#2
B. FOOTBOARD 1PC
C. SLAT ROLL 1PC
D. SLATS SUPPORT 3 PCS
E. BOTTOM SLAT 1PC



BOX#3
F. SIDERAILS 2 PCS

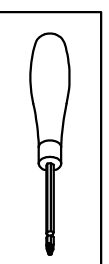


HARDWARE ARE PACKED IN BOX

1	ALLEN BOLT M8 x 30MM	16 PCS	2	WASHER M8/19	16 PCS	3	ALLEN KEY (4MM)	02 PCS	4	SCREW M4 x 30MM	24 PCS
											

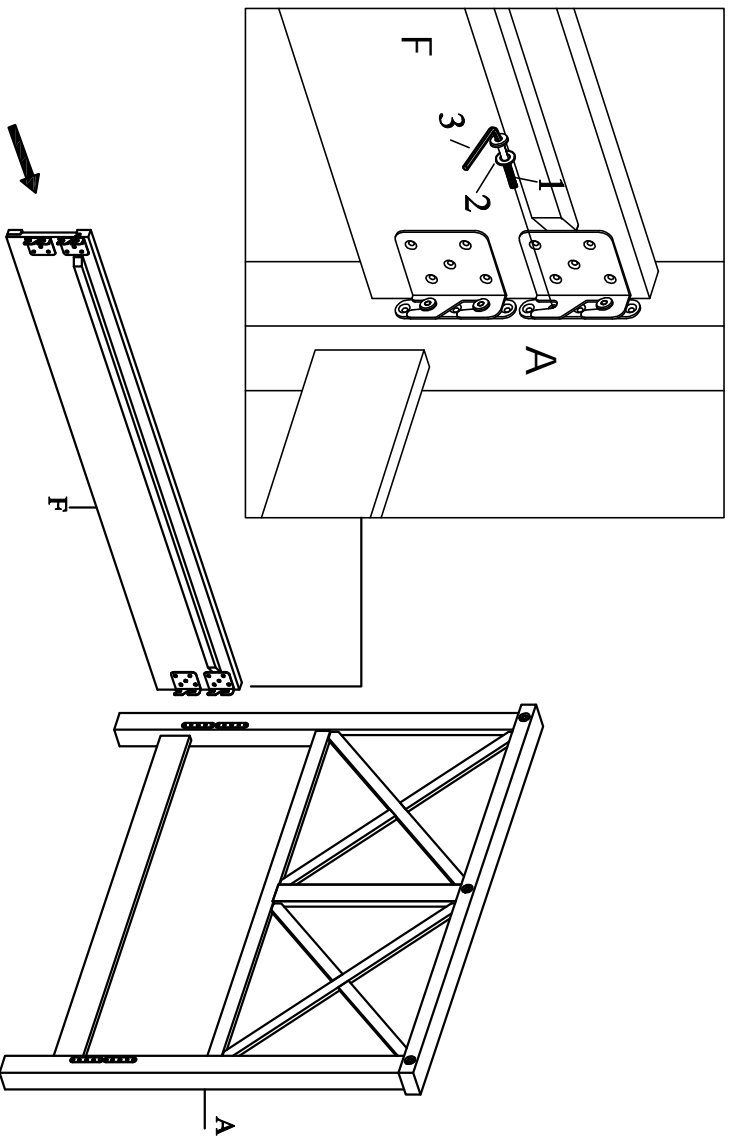
TOOL REQUIRED

PHILLS HEAD SCREW
DRIVER NOT PROVIDED



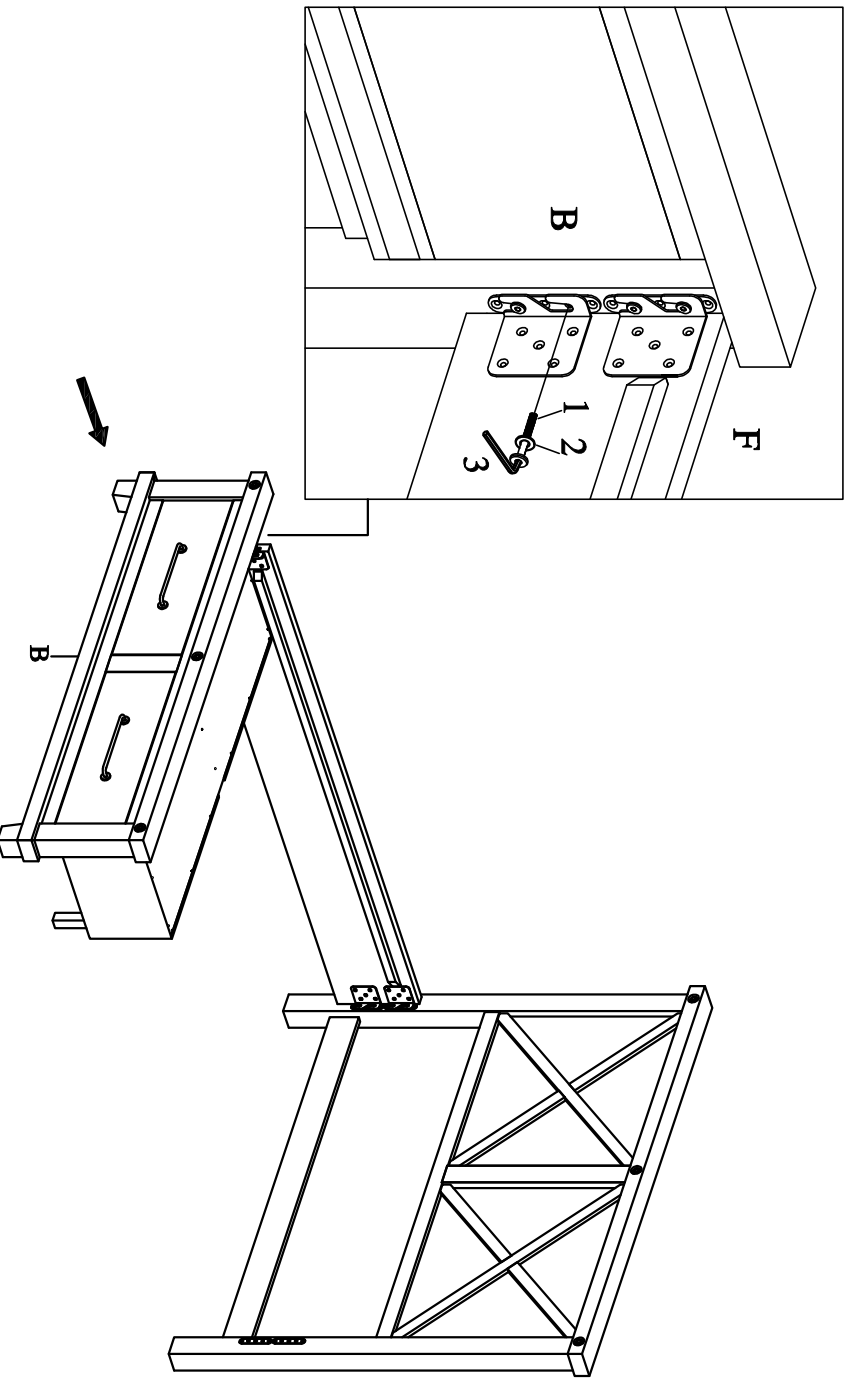
STEP 1:

FIX ONE OF THE SIDERAILS (F) TO THE HEADBOARD (A) USING ALLEN KEY (3) AND ALLEN BOLT (1) AND WASHERS (2). DO NOT TIGHTEN BOLTS COMPLETELY UNTIL ASSEMBLY IS COMPLETED.



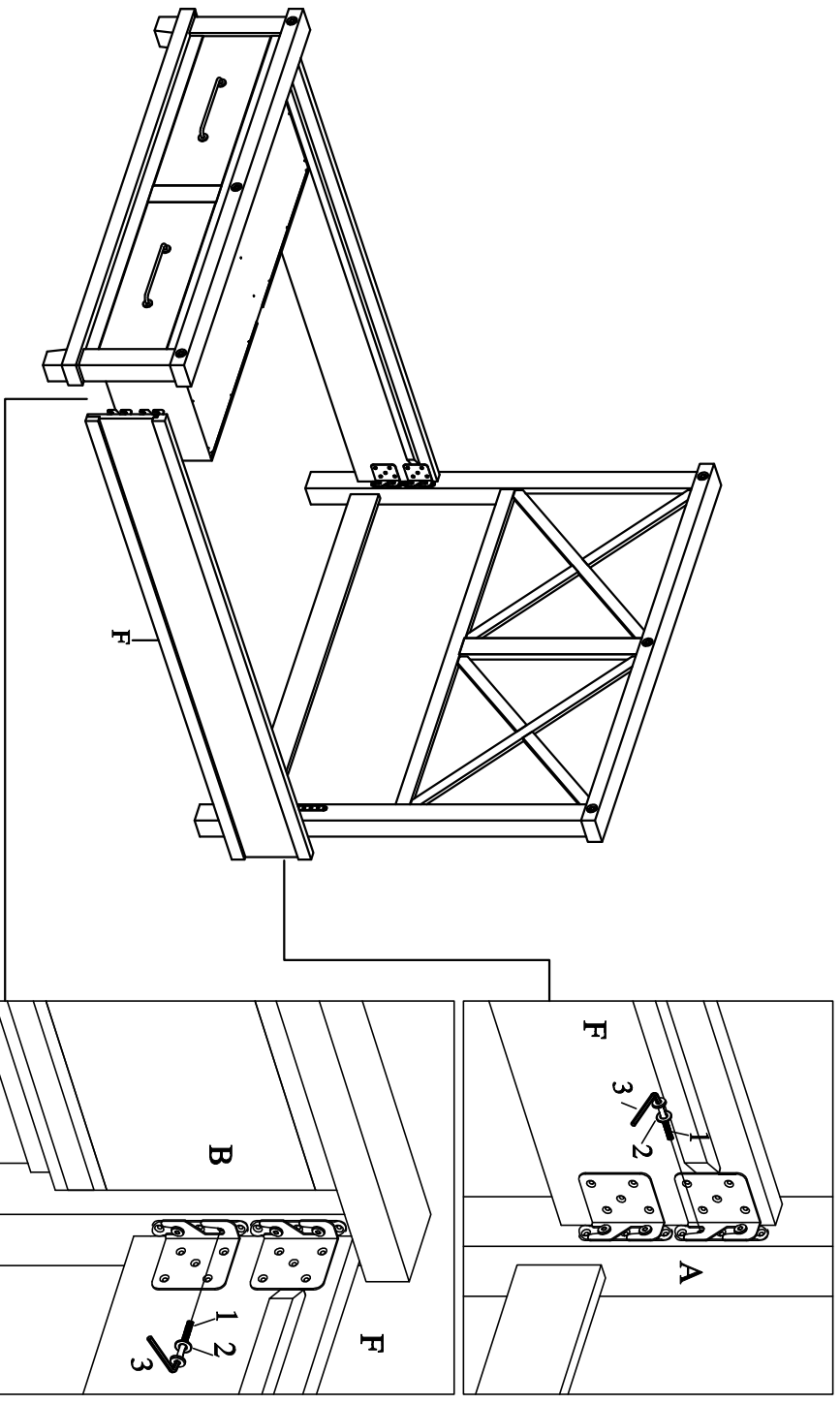
STEP 2:

FIX THE OTHER END OF THE SIDERAILS (F) TO THE FOOTBOARD (B) USING ALLEN KEY (3) AND ALLEN BOLT (1) AND WASHERS (2). DO NOT TIGHTEN BOLTS COMPLETELY UNTIL ASSEMBLY IS COMPLETED



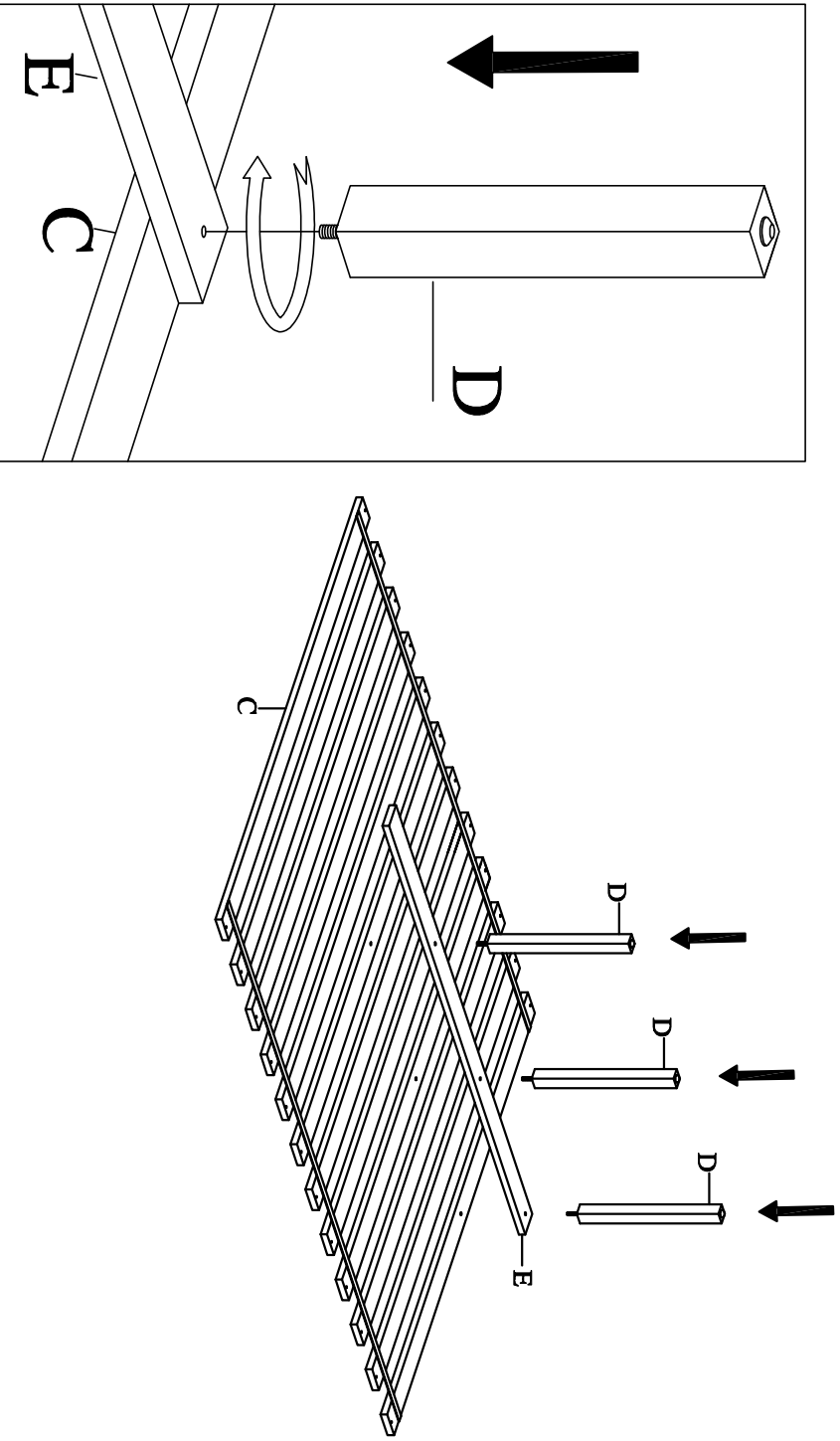
STEP 3:

FIX ONE OF THE SIDERAILS (F) TO THE HEADBOARD (A) AND FOOTBOARD (B) USING ALLEN KEY (3) AND ALLEN BOLT (1) AND WASHERS (2). DO NOT TIGHTEN BOLTS COMPLETELY UNTIL ASSEMBLY IS COMPLETED



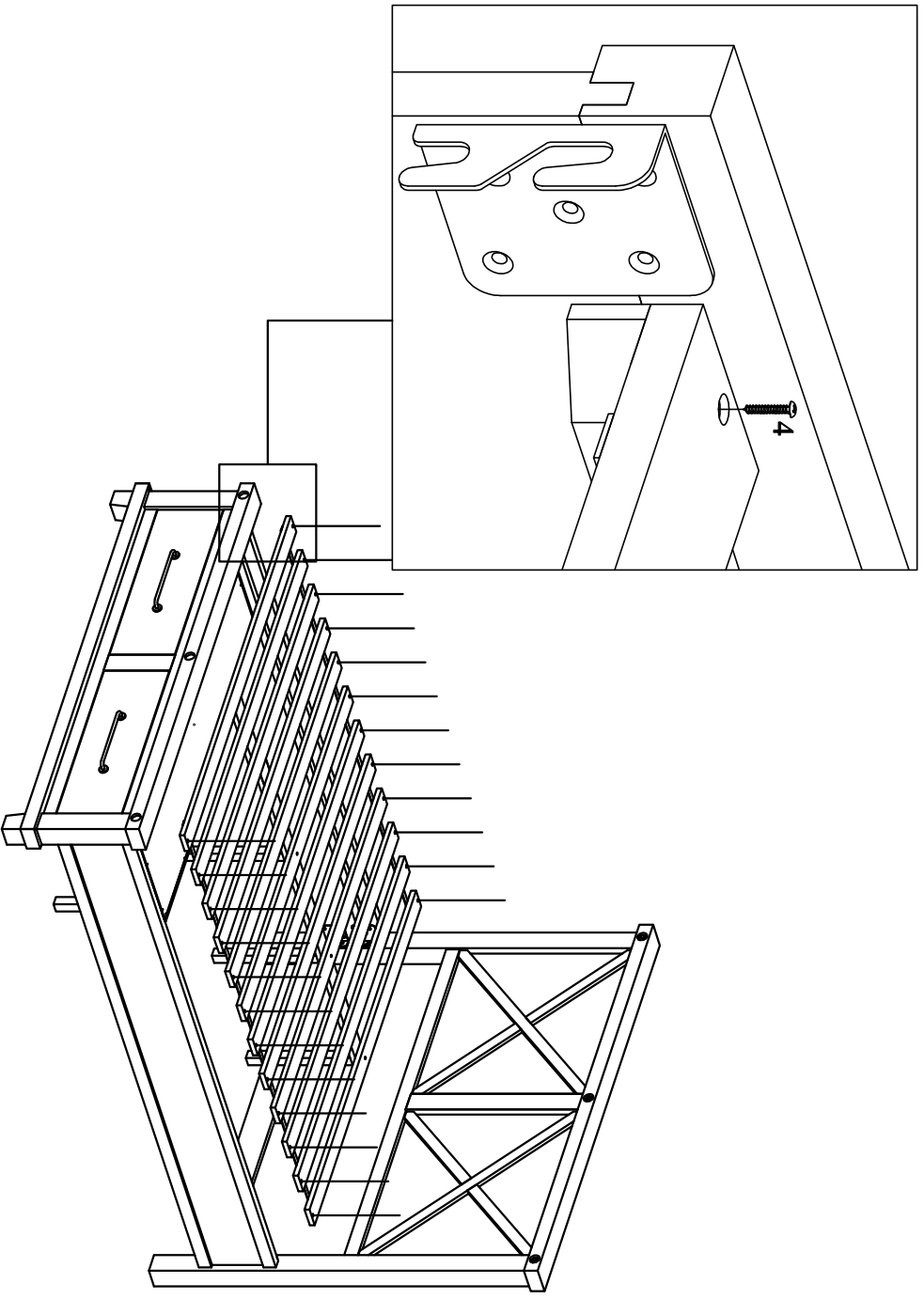
STEP 4:

ATTACH THE SLATS SUPPORT (D) TO THE BOTTOM SLAT (E) AND SLAT ROLL (C).



STEP 5:

FOLLOW THE ILLUSTRATION TO PLACE FIVE SLAT ROLL (C) ON THE BED FRAME, AND SECURE THE SLAT ROLL (C) USING WOOD SCREWS (4). USE THE PILOT HOLES ON THE SIDERAILS (F) AS YOUR REFERENCE FOR EASY ASSEMBLY.



**STEP 6:
ASSEMBLY COMPLETE**

