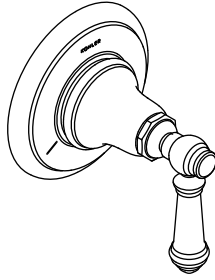


# Installation and Care Guide

## Transfer Valve Trim

K-T72770

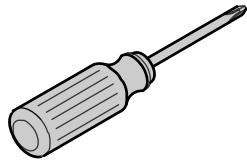


**M** product numbers are for Mexico (i.e. K-12345**M**)  
Los números de productos seguidos de  
**M** corresponden a México (Ej.  
K-12345**M**)  
Français, page "Français-1"  
Español, página "Español-1"

THE BOLD LOOK  
OF **KOHLER**®

1204800-2-A

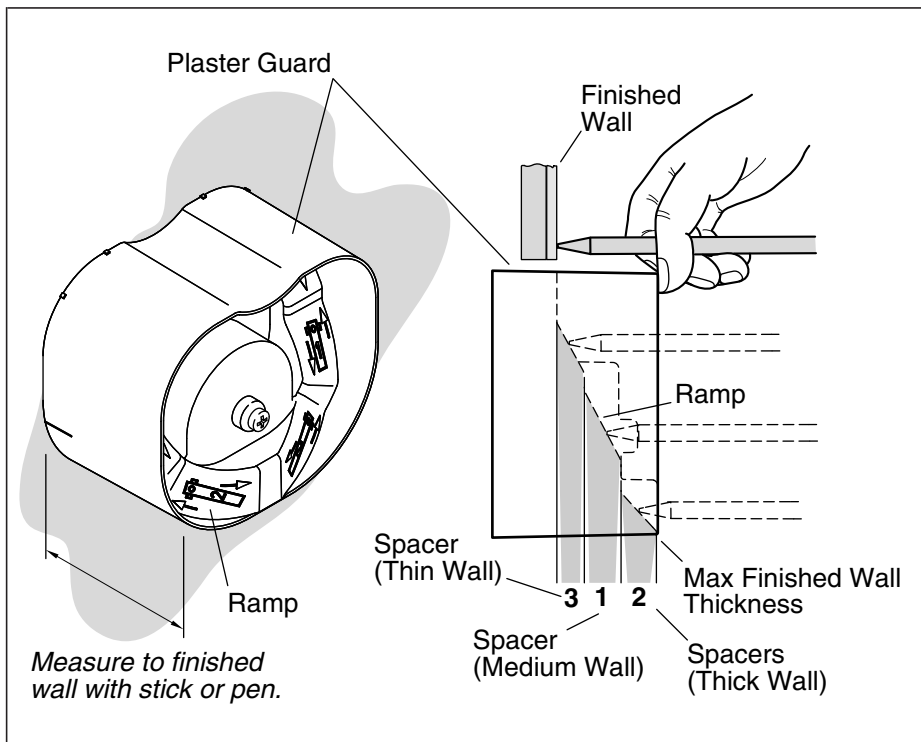
## Tools and Materials



## Before You Begin

- Observe all local plumbing and building codes.

**NOTE:** For service parts information, visit [www.kohler.com/serviceparts](http://www.kohler.com/serviceparts).



## 1. Install the Valve Stem Adapter

**NOTE:** The plaster guard must be in place for these steps.

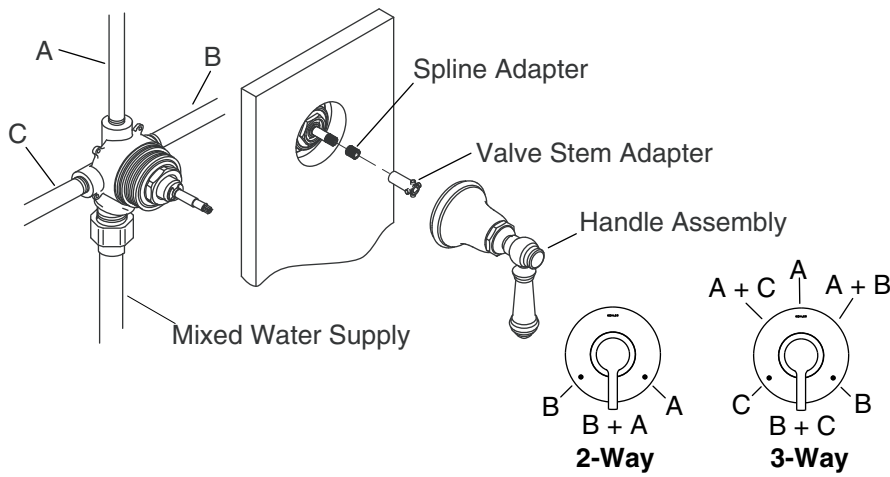
**NOTE:** The finished wall must be installed before you perform these steps.

**NOTE:** If the plaster guard is inside the finished wall, the wall is too thick for the installation and the valve needs to be moved forward.

- Take a straight object such as a pencil and hold it along the outside edge of the plaster guard with the tip touching the finished wall.
- Either mark the spot where the top edge of the plaster guard and the pencil meet or hold the pencil with your fingers at that spot.
- Move the pencil to the inside of the plaster guard. Touch the tip of the pencil to the bottom of the plaster guard at the deepest point next to the area labeled "1."
- **If the mark or your finger is below the edge of the plaster guard, perform the remaining steps:**

### Install the Valve Stem Adapter (cont.)

- Slide the pencil along the steps until the mark or your fingers are even with the top edge of the plaster guard.
- Note which area of the plaster guard the pencil is touching.
- **If the pencil is touching the step labeled "1,"** use the 7/8" (22 mm) (medium wall) valve stem adapter *and* the 13/16" (21 mm) screw.
- **If the pencil is touching the step labeled "2,"** use the 1-3/8" (35 mm) (thick wall) valve stem adapter *and* the 1-3/8" (35 mm) screw.
- **If the pencil is touching the step labeled "3,"** use the 1/2" (13 mm) (thin wall) valve stem adapter *and* the 13/16" (21 mm) screw.
  
- Remove and discard the plaster guard from the valve.
- Place the spline adapter over the valve stem.
- Set the correct valve stem adapter over the valve stem. **Do not completely press or thread the valve stem adapter into place until instructed to do so.**



## 2. Adjust the Handle Assembly

**NOTE: Valve Operation.** Water will flow from a single shower accessory when the control knob detent lines up with any of the markings on the escutcheon. Water will flow from two accessories at the same time when the control knob detent is midway between the markings.

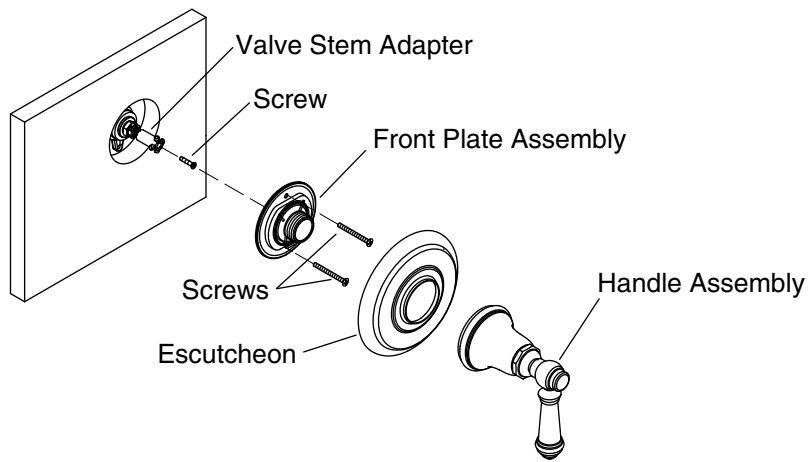
- Ensure the valve stem adapter is lightly placed over the spline adapter.
- Place the handle assembly over the valve stem adapter.
- Turn on the water supply to the transfer valve.
- Rotate the handle assembly until water begins to flow through the shower accessory.
- Determine the shower accessory that will correspond to the Accessory "A" setting at the 12 o'clock position on the escutcheon for the 3-way installation or 4 o'clock for the 2-way installation.
- Turn the handle to the detent setting that corresponds with Accessory "A." The handle should be in the 12 o'clock position for the 3-way installation or 4 o'clock for the 2-way installation.
- Repeat for each detent; verify flow to each accessory.
- Turn off the water supply to the transfer valve.
- Remove the handle assembly and set aside.

**To adjust for handle alignment:**

### **Adjust the Handle Assembly (cont.)**

**NOTE:** The spline adapter allows fine adjustment of the handle alignment.

- Remove the valve stem adapter.
- Reposition the spline adapter.
- Reinstall the valve stem adapter and the handle assembly.
- Check the alignment. Repeat this procedure until the handle alignment is satisfactory.



### 3. Install the Trim

- Firmly press the valve stem adapter onto the valve stem.
- Secure the valve stem adapter to the valve with the correct length screw, as selected in the "Install the Valve Stem Adapter" section of this guide.
- Align the holes on the front plate assembly and the valve.

**NOTE:** Be sure to select the correct length screw for your application.

- Secure the front plate assembly to the valve with two screws. Do not overtighten.
- Visually inspect the front plate assembly to ensure that the foam seal is completely covering the wall opening. If not, stop the installation and repair the wall opening.
- Place the escutcheon against the wall. The drain holes in the escutcheon should be positioned downward.

**NOTE:** If the handle does not engage the valve or the escutcheon does not tighten to the wall, replace the valve stem adapter with an adapter of appropriate length.

### Care and Cleaning

For best results, keep the following in mind when caring for your KOHLER product: