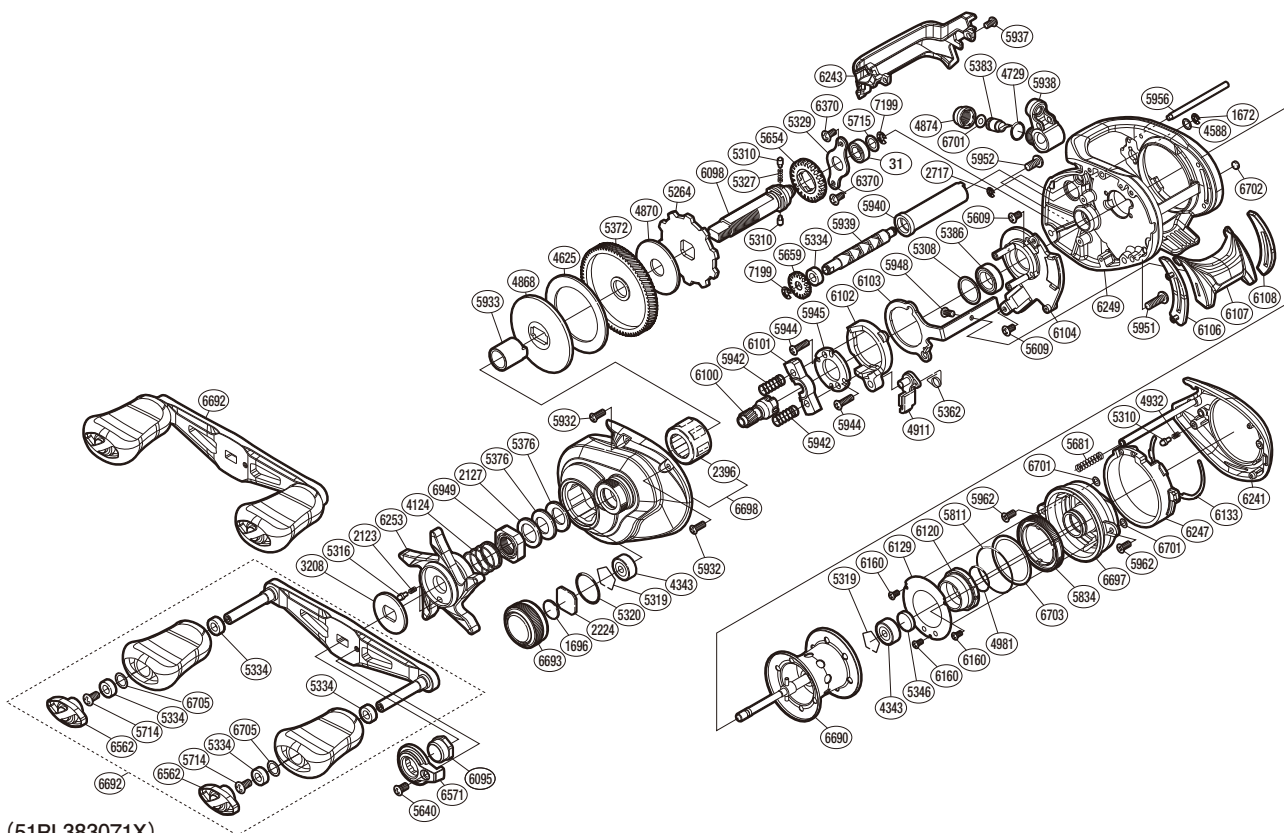


SHIMANO

SLX

SLXMGL71XG



(51RL383071X)

| # | Part No. | Description | # | Part No. | Description | # | Part No. | Description |
|------|----------|------------------------|------|----------|--------------------------|------|----------|---------------------------|
| 0031 | 105BL | Ball Bearing | 5372 | 10TMZ | Drive Gear | 6102 | 100W0 | Clutch Cam |
| 1672 | 105NC | E Lock | 5376 | 109F5 | Drag Spring Washer | 6103 | 100W5 | Clutch Plate |
| 1696 | 10896 | Cast Control Spacer B | 5383 | 10BHQ | Line Guide Pawl | 6104 | 10DJ8 | Clutch Guard Assembly |
| 2123 | 10BT2 | Click Spring | 5386 | 10EX6 | Ball Bearing | 6106 | 10TFB | Clutch Bar Guide B |
| 2127 | 10J1N | Star Drag Spacer | 5609 | 10LCT | Screw | 6107 | 10TF9 | Clutch Button |
| 2224 | 1085F | Spool Tension Spacer A | 5640 | 101VV | Screw | 6108 | 100W3 | Clutch Bar Guide A |
| 2396 | 10F5C | Roller Clutch Bearing | 5654 | 101K8 | Idle Gear | 6120 | 10E6U | Brake Pipe Gear Assembly |
| 2717 | 105NB | E Lock | 5659 | 10SRL | Idle Gear | 6129 | 100HC | Br Dial Retainer Plate |
| 3208 | 10J22 | Star Drag Click Plate | 5681 | 10KNH | Spring | 6133 | 100ND | Washer |
| 4124 | 10A70 | Star Drag Spring | 5714 | 10LFA | Screw | 6160 | 10E7R | Screw |
| 4343 | 105C3 | Ball Bearing | 5715 | 10G6D | Washer | 6241 | 10RMY | Right Side Plate Assembly |
| 4588 | 10FJZ | Washer | 5811 | 10CG1 | O Ring | 6243 | 10RMX | Level Wind Protector |
| 4625 | 106XT | Drag Washer | 5834 | 10055 | Brake Dial | 6247 | 10T4Q | B Side Plate Cam Lever |
| 4729 | 108WQ | O Ring | 5932 | 10LCY | Screw | 6249 | 100DH | Frame |
| 4868 | 10D3H | Key Washer | 5933 | 100UC | Roller Clutch Inner Tube | 6253 | 100DS | Star Drag |
| 4870 | 10CHF | Drag Washer | 5937 | 100U4 | Screw | 6370 | 10E23 | Screw |
| 4874 | 10FJB | Pawl Cap | 5939 | 100U6 | Worm Shaft | 6562 | 1027R | Handle Knob Seal |
| 4911 | 10MQM | Clutch Pawl | 5940 | 100UF | Level Wind Guard | 6571 | 1017T | Handle Nut Plate |
| 4932 | 10GQZ | Spring | 5942 | 100U9 | Yoke Spring | 6690 | 10SY0 | Spool Assembly |
| 4981 | 10LA8 | O Ring | 5944 | 10LV0 | Screw | 6692 | 10SY1 | Handle Assembly |
| 5264 | 10D73 | Anti-Reverse Ratchet | 5945 | 100U5 | Clutch Cam Retainer | 6693 | 10050 | Cast Control Cap |
| 5308 | 10190 | Washer | 5948 | 10LF4 | Screw | 6697 | 10RWY | Dial Case |
| 5310 | 10HJG | Idle Gear Pin | 5951 | 100UU | Screw | 6698 | 10RWU | Left Side Plate Assembly |
| 5316 | 10MFC | Click Pin | 5952 | 100UV | Screw | 6701 | 10CFU | Washer |
| 5319 | 1054D | Bearing Retainer | 5956 | 100UT | Stabilizer Bar | 6702 | 108SL | Washer |
| 5320 | 10R22 | O Ring | 5962 | 100U7 | Screw | 6703 | 10RHW | Washer |
| 5327 | 10JDY | Idle Gear Spring | 5962 | B100UL | Screw | 6705 | 1020Z | Washer |
| 5329 | 109T1 | Drive Shaft Retainer | 6095 | 10049 | Handle Nut | 6949 | 10A3U | Star Drag Nut |
| 5334 | 10PXZ | Bushing | 6098 | 100VZ | Drive Shaft | 7199 | 105NK | E Lock |
| 5346 | 10EX5 | Spacer B | 6100 | 100W4 | Pinion Gear | | | |
| 5362 | 10TMC | Clutch Pawl Spring | 6101 | 10TFA | Yoke | | | |

Please note that the number of adjusting washers may not be the same as shown in the exploded views.
(Adjustment will vary with each individual product.)

(230330)_005