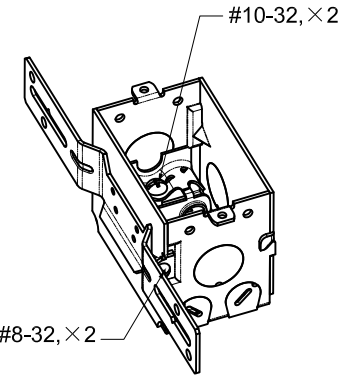
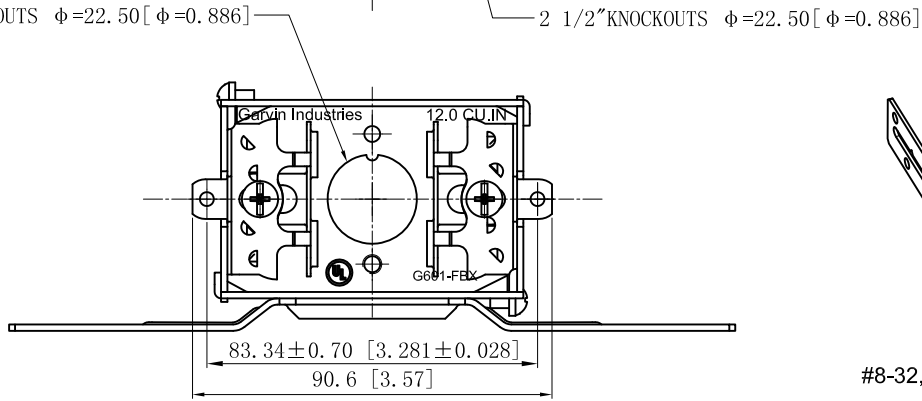
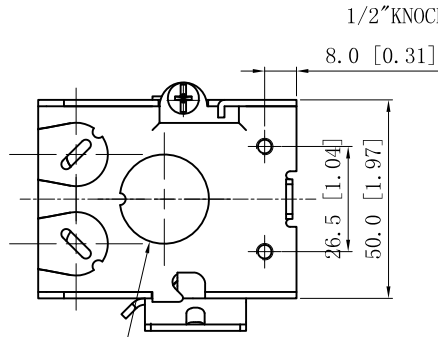
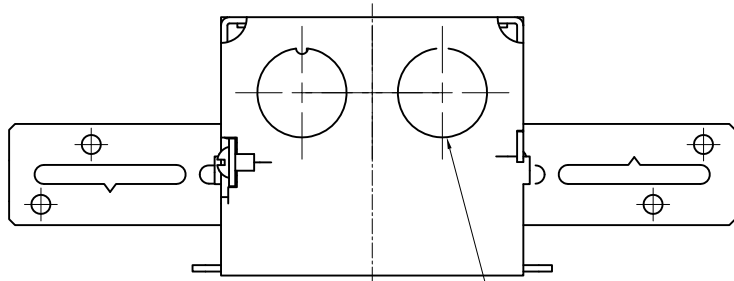
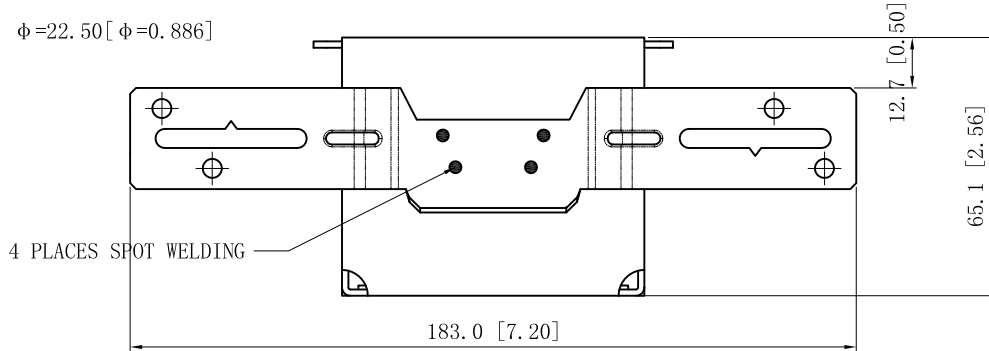


SIDES	BOTTOM
6 1/2" KNOCKOUTS	1/2" KNOCKOUTS
4 KNOCKOUTS	
2pcs #8-32×1/4 zinc plated	
2pcs #10-32×1 zinc plated	
Material: Steel-0.0625"-G60 Galvanized	



2 1/2" KNOCKOUTS $\phi = 22.50 [\phi = 0.886]$
MIRROR



This data sheet is for reference only .GARVIN INDUSTRIES reserves the right to make changes to the design without prior notice.

DESCRIPTION
TRADE REFERENCE TERMS

STANDARD PACKING	GARVIN INDUSTRIES		
	TITLE GANGABLE SWITCH BOXES WITH CONOUIT KNOCKOUTS		
25 PCS	SIZE	DWG NO.	REV
	A4	G601-FBX	A
DATA SHEET			