

Adventure Starts Here.

ADIRONDACK DINING CHAIR

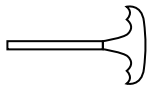
**SEAHAWK
DESIGNS**

EST. 2005

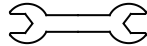
! NOTICE

- Do not overtighten hardware.
- Do not exceed the weight capacity of this item.
- Only use this item for what it is intended for, improper use will void any warranty.
- Firmly secure all bolts, screws and nuts before use.
- Reconfirm that all bolts, screws, and nuts are firmly secured every 90 days.
- Keep this furniture clear of all uncontrolled open flames or flammable/combustible materials. Exposure to fire, high heat, or embers will permanently damage the material.
- To avoid stripping and cracking of the material, DO NOT use power tools for assembly.
- Always prioritize caution and safety throughout the assembly process.

TOOLS REQUIRED



ALLEN WRENCH
(PROVIDED)



WRENCH
(PROVIDED)



330 LBS
WEIGHT
CAPACITY



SUGGESTED
2 PERSON
ASSEMBLY



ESTIMATED
ASSEMBLY
TIME: 20 MIN

1

SCREW
M6 x 40mm



1 PC

2

SCREW
M6 x 50mm



4 PCS

3

SCREW
M6 x 70mm



2 PCS

4

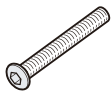
SCREW
M6 x 80mm



2 PCS

5

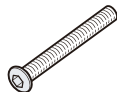
BOLT
M6 x 45mm



6 PCS

6

BOLT
M6 x 50mm



4 PCS

7

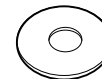
M6-NUT



10 PCS

8

M6-WASHER



10 PCS

9

SCREW HOLE PLUG



18 PCS

A

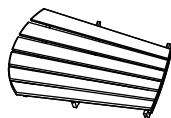
CHAIR SEAT



1 PC

B

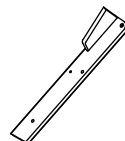
CHAIR BACKREST



1 PC

C

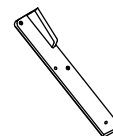
LEFT FRONT LEG



1 PC

D

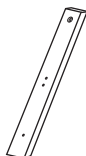
RIGHT FRONT LEG



1 PC

E

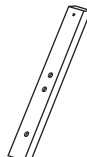
LEFT REAR LEG



1 PC

F

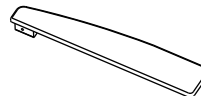
RIGHT REAR LEG



1 PC

G

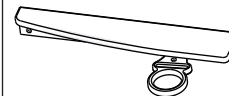
LEFT ARM



1 PC

H

RIGHT ARM



1 PC

I

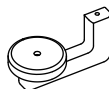
RAIL



2 PCS

J

CUP HOLDER

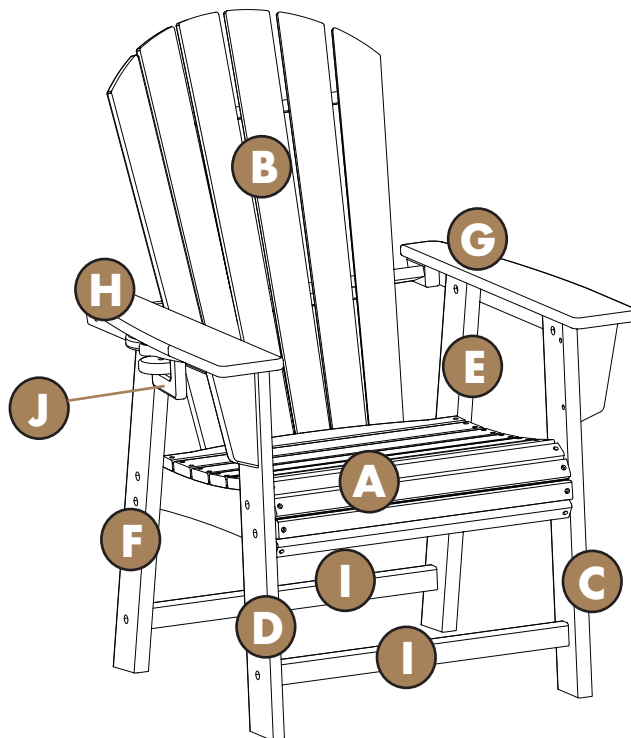


1 PC

PRODUCT ASSEMBLY - OVERALL VIEW

REF#: OP2140

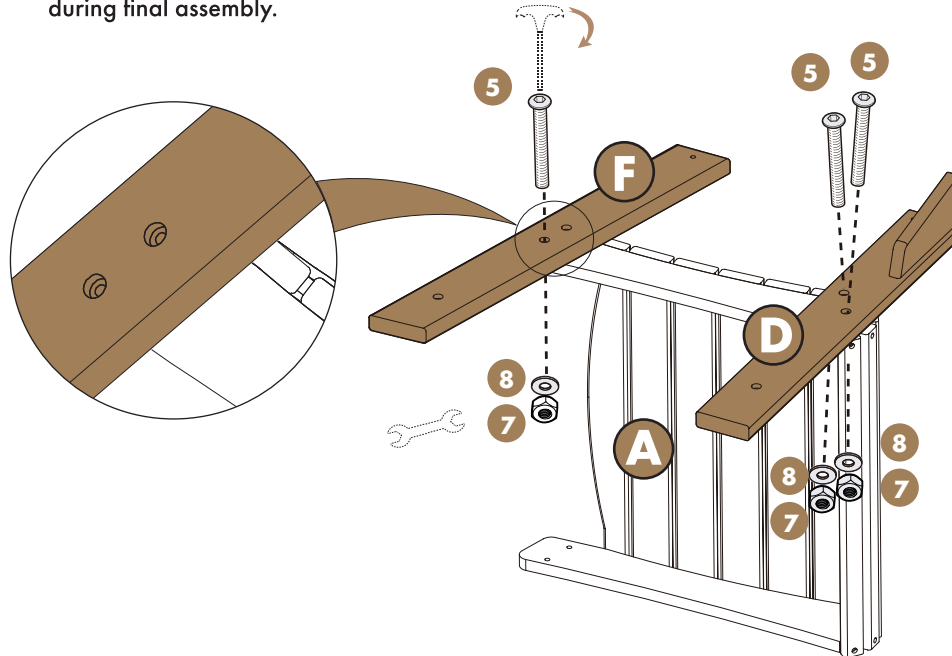
Please refer back to this image during the assembly process for part placement.



1

Step 1: Assemble the Chair Seat and Right Legs

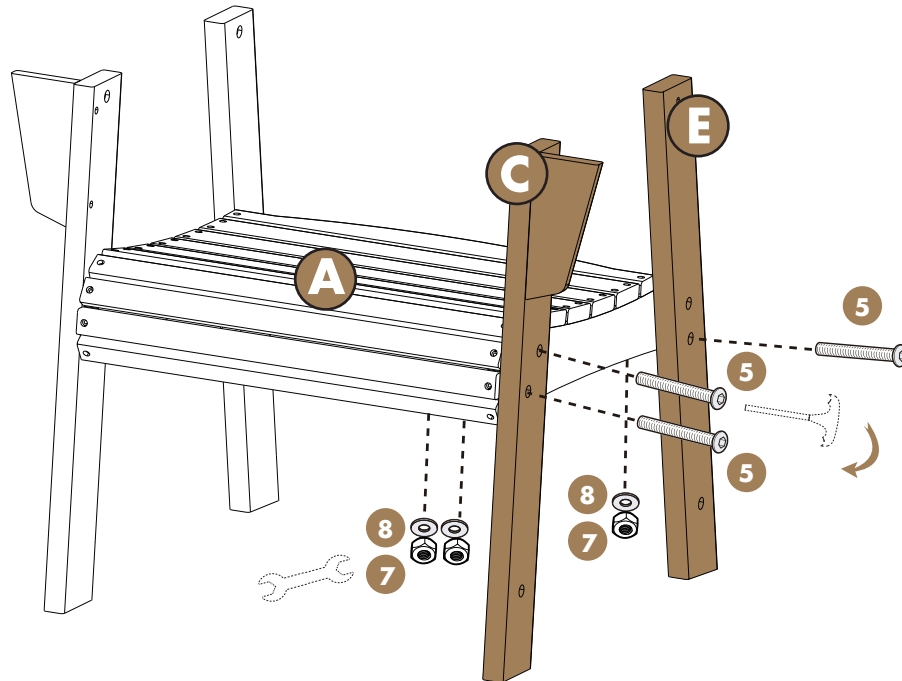
- Place **Part A (Chair Seat)** on a flat, stable surface.
- Attach **Part F (Right Rear Leg)** to **Part A (Chair Seat)** using **1 - M6 Bolt (#5)**, **1 - M6 Washer (#8)**, and **1 - M6 Nut (#7)** (see image below).
- Attach **Part D (Right Front Leg)** to **Part A (Chair Seat)** using **2 - M6 Bolt (#5)**, **2 - M6 Washer (#8)**, and **2 - M6 Nut (#7)** (see image below).
- Do not fully tighten the bolts yet. Tighten them to approximately 70% to allow for adjustments during final assembly.



2

Step 2: Attach the Left Legs

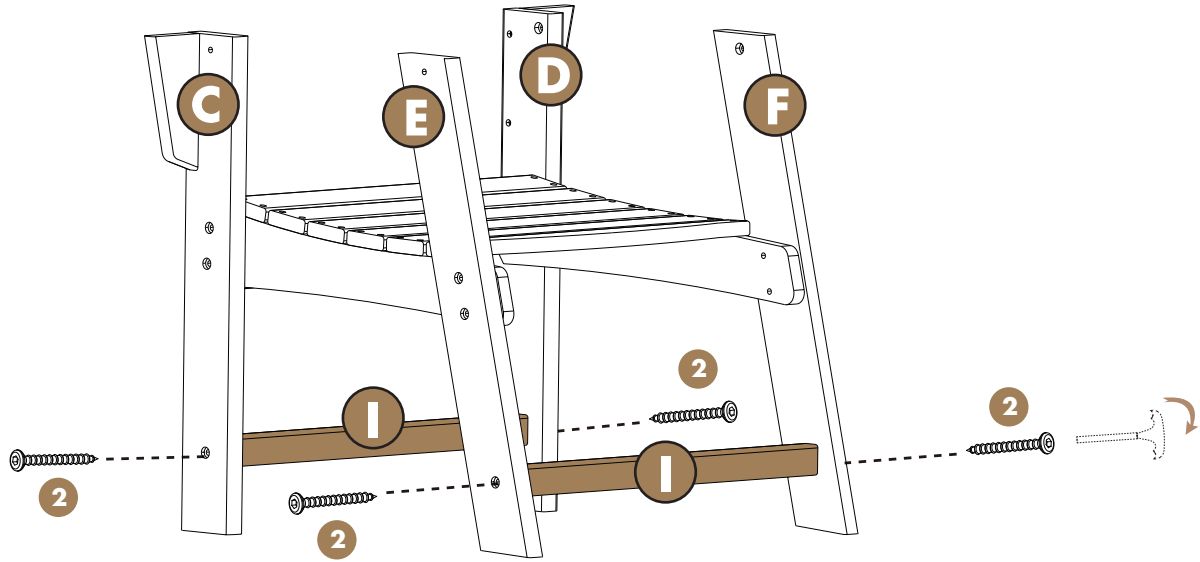
- Repeat Step 1 to attach the set of left legs (**Part C and Part E**) to the assembled chair frame (see image below).



3

Step 3: Attach the Chair Rails to the Assembled Frame

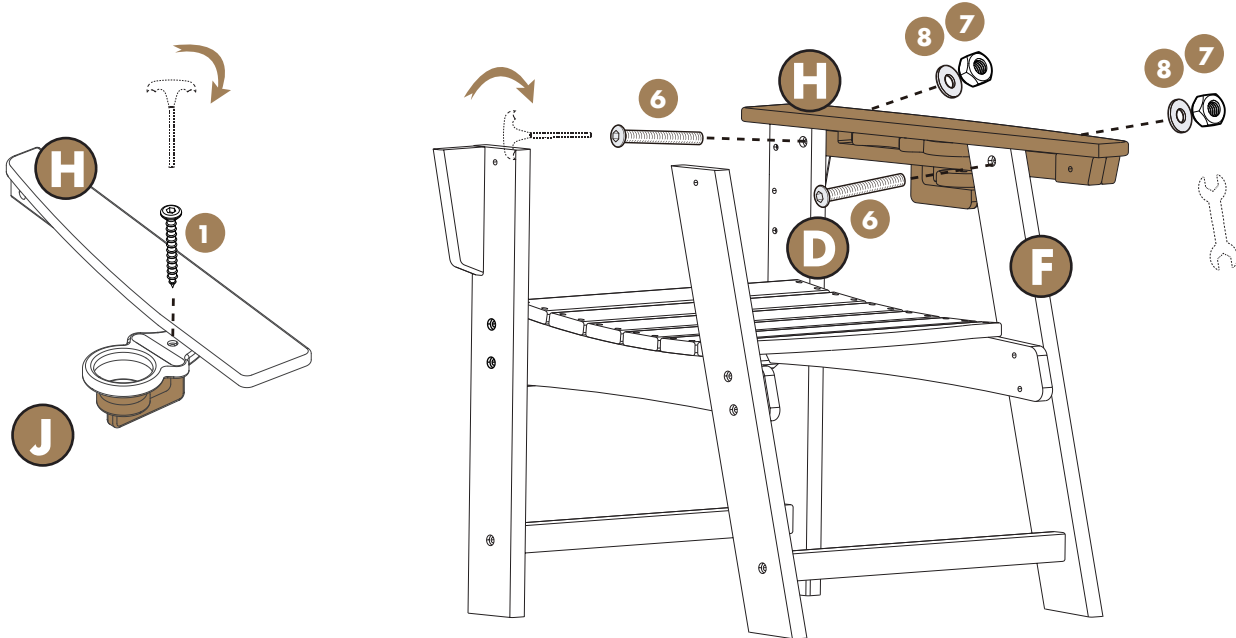
- Take **2 - Part I (Chair Rail)** and use **4 - M6 Screw (#2)** to secure them to the chair legs (**Part C, Part D, Part E and Part F**) (see image below).



4

Step 4: Attach the Cup Holder to Arm, and Arm to Chair

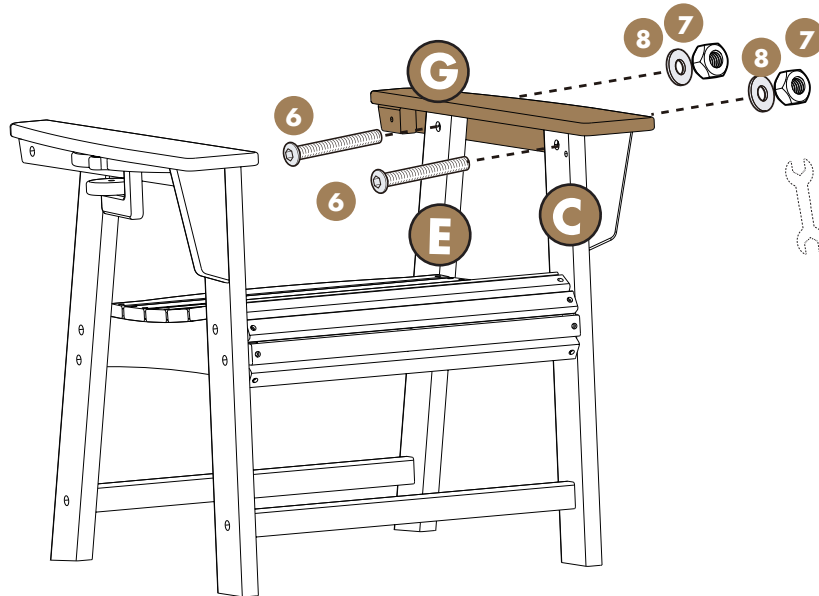
- Attach **Part J (Cup Holder)** to the bracket on **Part H (Right Arm)** using **1 - M6 Screw (#1)** (see image below).
- Next, secure the combined **Part H and Part J (Right Arm with Cup Holder)** unit to the right chair legs (**Part F and Part D**). This requires **2 - sets** of the **M6 Bolt (#6)**, **M6 Washer (#8)**, and **M6 Nut (#7)** (see image below).



5

Step 5: Attach the Second Arm to Chair

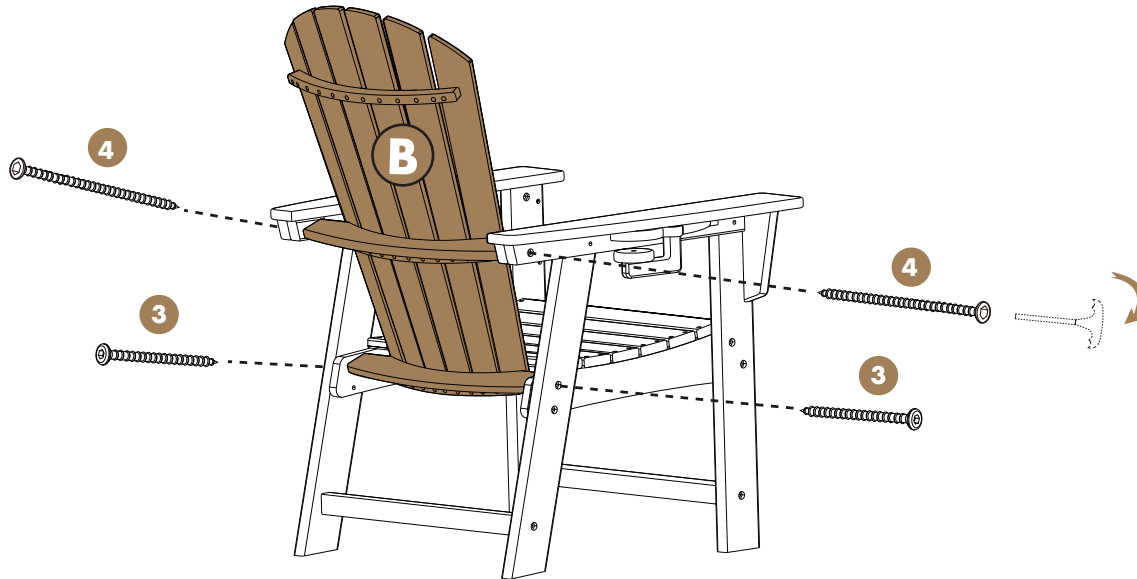
- Mirror the previous step (Step 4) on the opposite side. Secure **Part G (Left Arm)** to **Part E** and **Part C (Left Chair Legs)**. This requires **2 - sets** of the **M6 Bolt (#6)**, **M6 Washer (#8)**, and **M6 Nut (#7)** (see image below).



6

Step 6: Attach the Backrest to the Assembled Frame

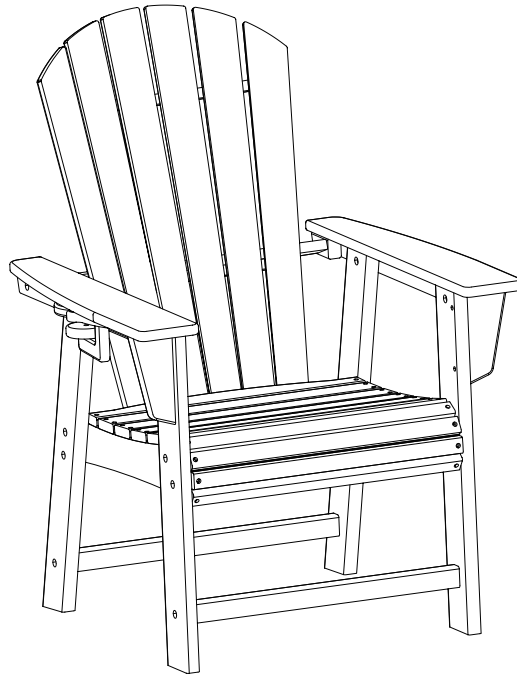
- Attach **Part B (Chair Backrest)** to the assembled frame. Use **2 - M6 Screw (#4)** and **2 - M6 Screw (#3)** to secure it (see image below).



7

Step 7: Final Tightening and Stability Check

- Tighten all previously installed screws, bolts, and nuts. Check every connection to ensure the chair is steady and stable.

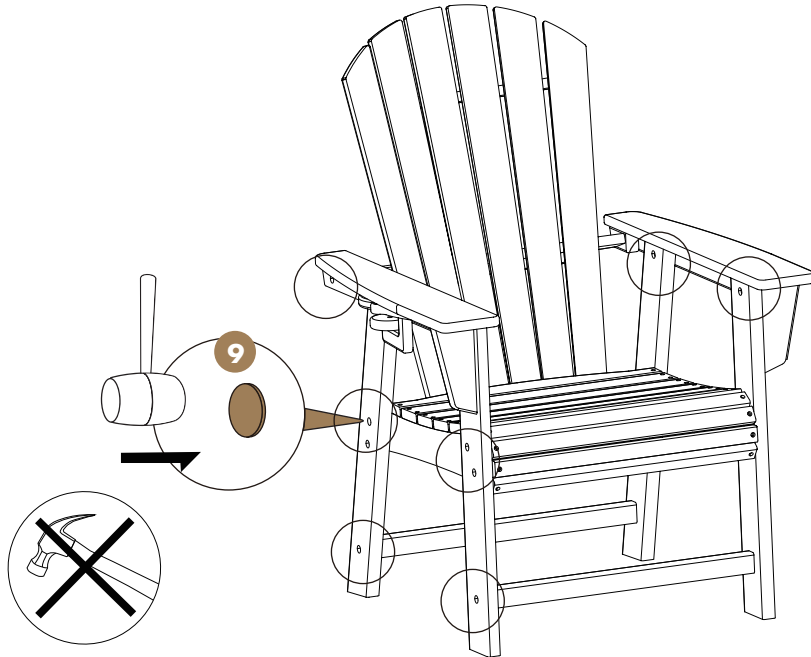


8

Step 8: Apply the Screw Hole Plugs

- Cover all exposed screw holes using **18 - Screw Hole Plug (#9)**. Insert all plugs into the exposed screw holes. Gently tap each plug into place using a rubber mallet to prevent damage. Ensure each plug is fully seated and flush with the chair surface (see image below.)

ATTENTION: Do not use a metal hammer as it will damage the poly lumber.



- **REGULAR CLEAN:** Mix **warm water** and **mild soap**. Use **a soft bristle brush** to gently scrub the surface and remove any dirt or stains.
- **QUICK CLEAN:** Simply wipe the furniture down using a damp cloth.

Tip: Cleaning your furniture regularly helps maintain its aesthetic appeal and extends its lifespan.

Enjoy!

Join our community and be the first to see what's new!

Follow us on socials:



Quickly register your outdoor furniture purchase to activate your warranty and enjoy peace of mind with guaranteed product protection:



Have questions or need assistance? Reach out to our dedicated team at **(909) 284-1052** or email us at **cs@seahawkdesigns.com**.