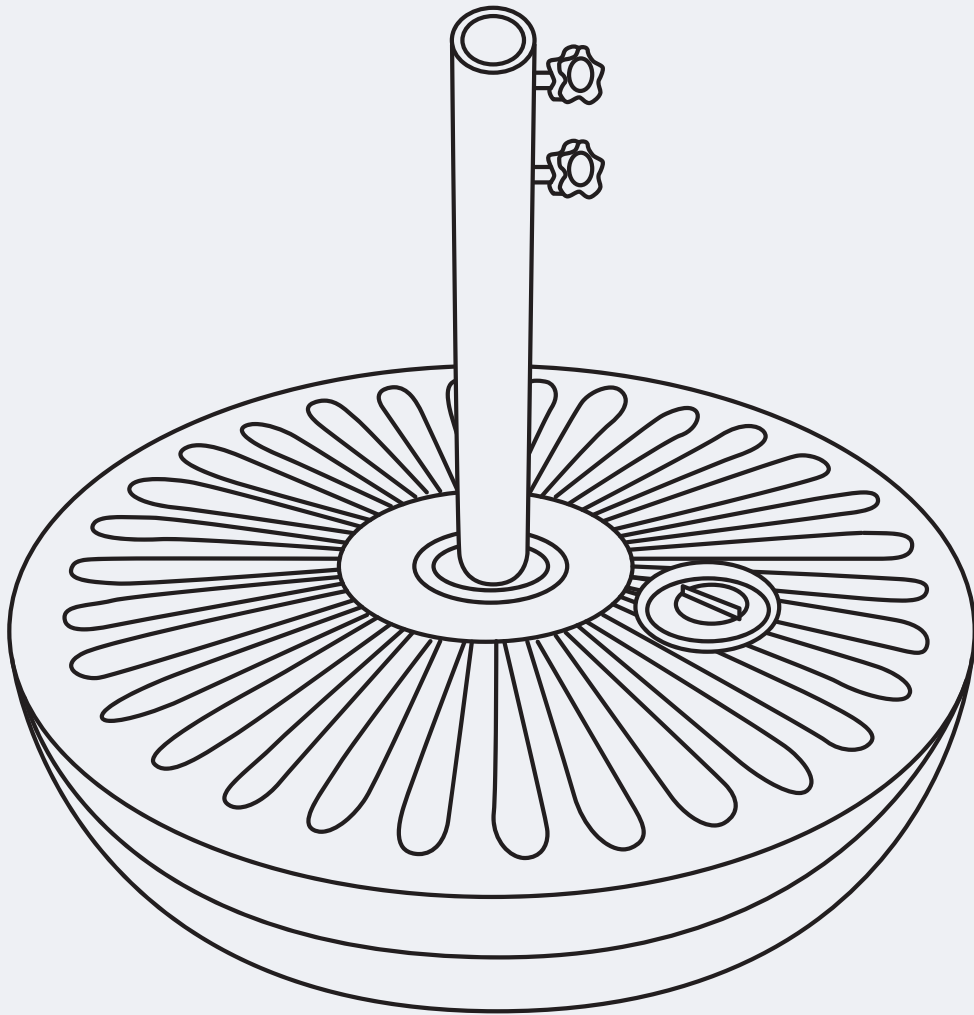


INSTRUCTION MANUAL



20" Round Hard Plastic Free
Standing Umbrella Base

V1.0

! CARE & MAINTENANCE

- Only fill with water when used in warm climates.
- Do not fill with water if exposed to freezing temperatures.
- Formation and expansion of ice may crack the base.

TOOLS REQUIRED



1 PERSON
ASSEMBLY



UP TO 20 MIN.
ASSEMBLY

HARDWARE

1

PLASTIC HEAD
BOLT



2 PCS

2

LOCKING
BOLT



1 PC

3

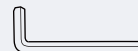
WASHER



1 PC

4

ALLEN
WRENCH

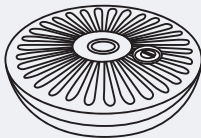


1 PC

PARTS

A

PLASTIC BASE



1 PC

B

EXTEND POLE



1 PC

C

CONNECT POLE



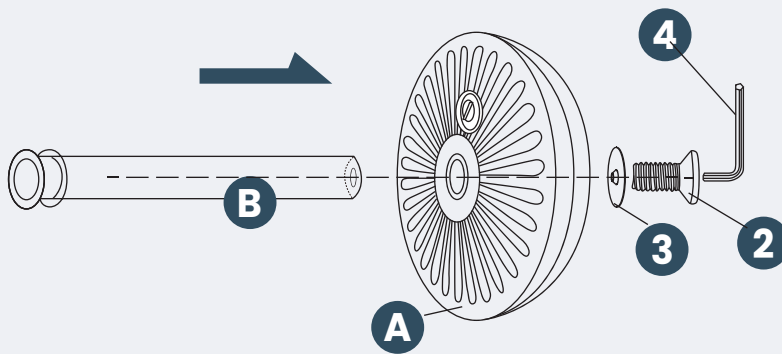
1 PC

PRODUCT ASSEMBLY

1

Put **Part B Extend Pole** into **Part A Plastic Base**, attach **Hardware #2 Locking Bolt** and **Hardware #3 Washer** to **Part B Extend Pole**.

Pay attention that **Part C Connect Pole** is already assembled on head of **Part B Extend Pole**.



PRODUCT ASSEMBLY

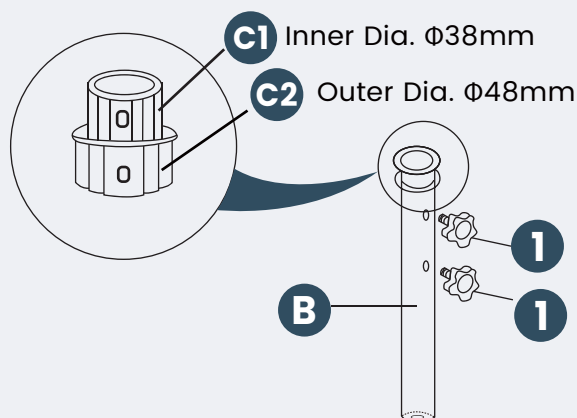
2

Check the diameter of your umbrella pole and choose part C1 / C2 in suitable size.

- Take out part C1 and leave part C2 when the diameter is 48mm;
- Keep both C1 and C2 when the diameter is 38mm.

Insert your umbrella pole into **Part B Extend Pole**.

Attach 2 pcs of **Hardware #1 Plastic Head Bolt** onto **Part B Extend Pole**, then tighten them to keep your umbrella stable.

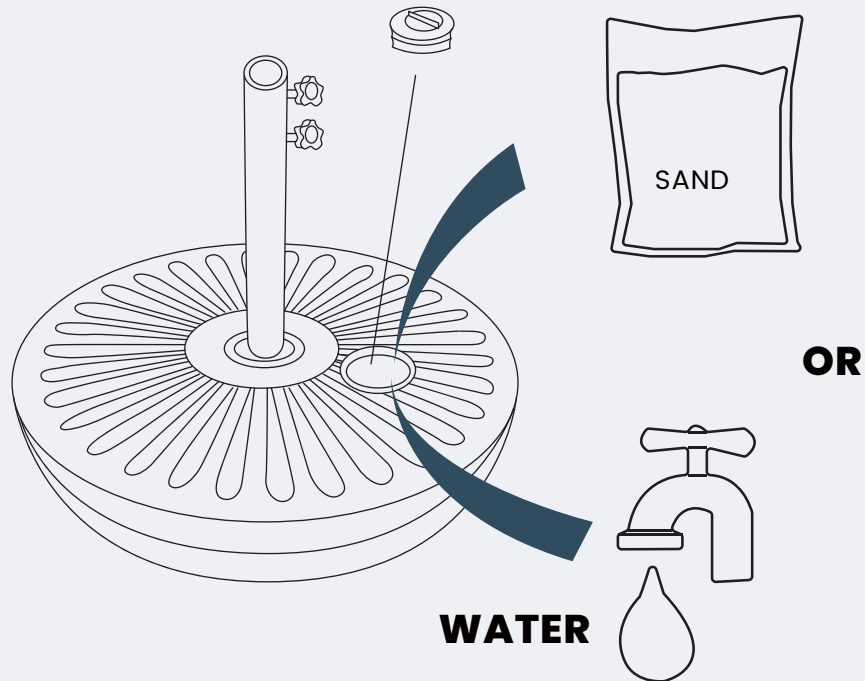


PRODUCT ASSEMBLY

3

Take off the cap and fill in with sand or water.

Seal the cap back and finish the assembly of base.



CAUTION:

The plastic base will be very heavy after filling with sand or water. Be very careful when moving these plastic bases in case of hurting your feet or destroy the plastic base.

Thank you for purchasing this quality product.

CLEANING TIPS

REGULAR CLEAN: Use a mixture of warm water and mild soap. Gently scrub the surface with a soft bristle brush to remove any dirt or stains.

QUICK CLEAN: You can simply wipe down the furniture with a damp cloth.

Regular cleaning not only preserves the aesthetic appeal of your furniture, but also helps extend its lifespan.