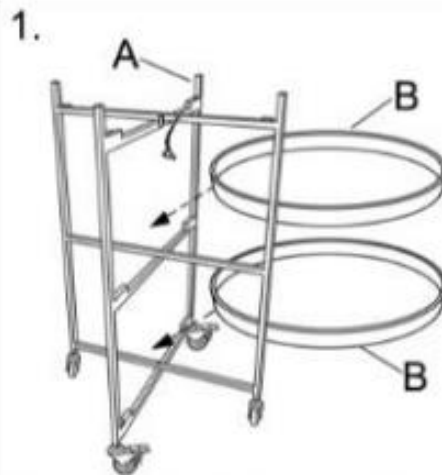
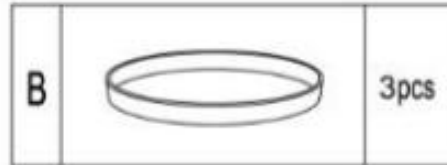
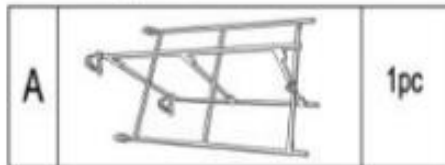


ASSEMBLY INSTRUCTIONS

Parts required



Expand the base slightly then place the middle and bottom trays.



Expand the base into position after the middle and bottom trays are placed.

