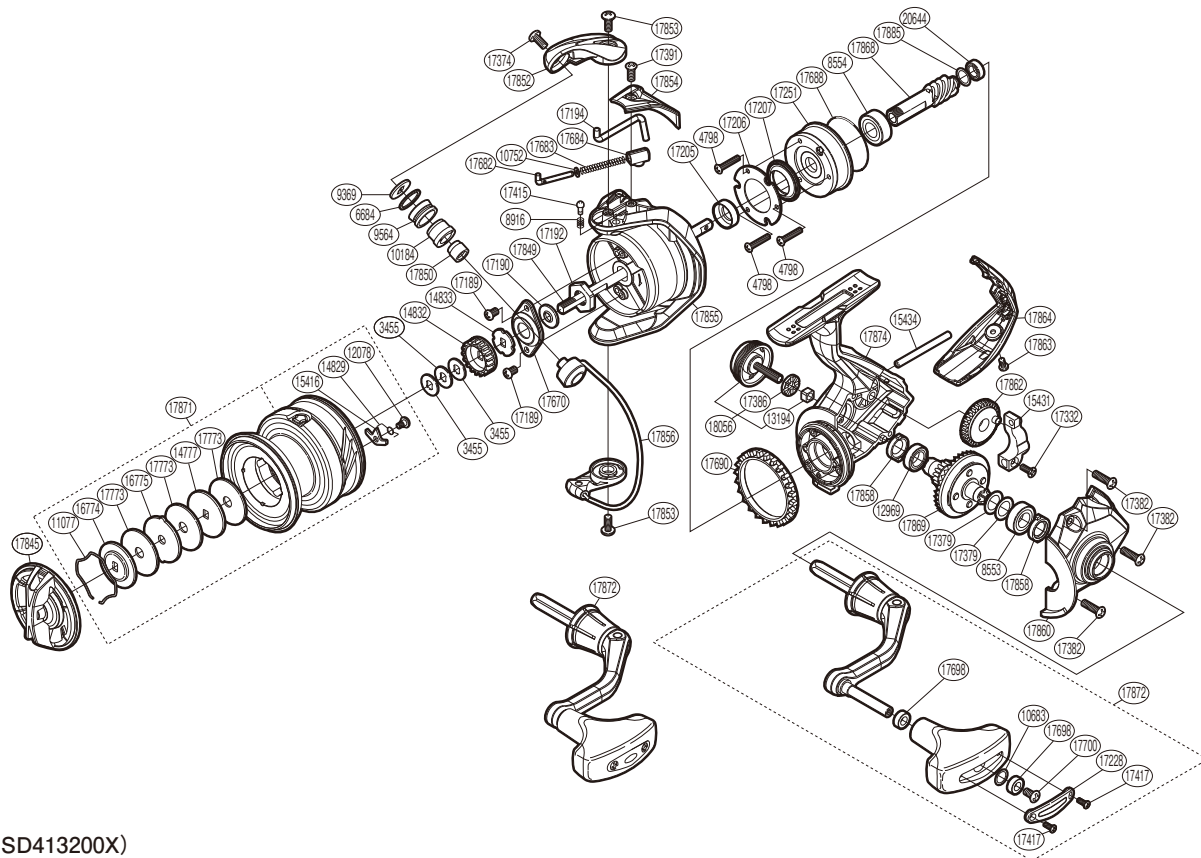


SHIMANO

NASCI

NAS-C3000HGFB



(51SD413200X)

#	Part No.	Description	#	Part No.	Description	#	Part No.	Description
3455	10BXN	Spool Washer	17189	10PMC	Screw	17700	10LFA	Screw
4798	103C6	Roller Clutch Screw	17190	107L4	Bearing Water Proof	17773	102ZG	Drag Washer
6684	10KFD	Line Roller Spacer	17192	1067Y	Rotor Nut	17845	10DLX	Drag Knob
8553	107AT	Ball Bearing	17194	106P2	Bail Trip Lever	17849	10DMK	Main Shaft
8554	107FE	Ball Bearing	17205	10JHG	Rotor Ring	17850	1020X	Line Roller Collar
8916	10CH0	Click Spring	17206	10L62	Roller Clutch Reinforce	17852	10DNW	Bail Arm
9369	10PFP	Line Roller Washer	17207	10MH6	Roller Clutch Water Proof	17853	10LFH	Screw
9564	10JLE	Line Roller	17228	108X5	Handle Knob I.d. Plate	17854	10DNX	Bail Spring Cover
10184	10PFH	Line Roller Bushing	17251	10QPN	Roller Clutch Assembly	17855	101ZW	Rotor
10683	10HTT	Washer	17332	10R1P	Screw	17856	1020H	Bail Assembly
10752	10TYE	Bail Spring Guide A Support	17374	10K90	Screw	17858	10DMT	Bearing Water Proof
11077	10MZX	Drag Washers Retainer	17379	10GR3	Washer	17860	10DMS	Side Cover
12078	10PH4	Screw	17382	10L6J	Screw	17862	10DMJ	Oscillating Gear
12969	107FA	Ball Bearing	17386	10J6B	Handle Screw Cap Spacer	17863	10LCS	Screw
13194	104NX	Handle Screw Lock	17391	10LFK	Screw	17864	10DM5	Rear Protector
14777	10QBT	Key Washer	17415	106ZC	Click Pin	17868	10DMH	Pinion Gear
14829	10PH3	Drag Click Spring	17417	10L1T	Screw	17869	10DQ9	Drive Gear
14832	103MU	Spool Support A	17670	10TRH	Rotor Nut Lock Plate	17871	10DPL	Spool Assembly
14833	10J04	Spool Support B	17682	1061L	Bail Spring Guide A	17872	10DLL	Handle Assembly
15416	1038H	Drag Click	17683	105R6	Bail Spring	17874	101YF	Body
15431	10G7D	Oscillating Slider	17684	107AB	Bail Spring Seat	17885	10HEP	Washer
15434	1035A	Oscillating Guide	17688	10MLU	O Ring	18056	10283	Handle Screw Cap
16774	10BCE	Key Washer	17690	104FV	Friction Ring	20644	10RKR	Ball Bearing
16775	102ZD	Eared Washer	17698	10PXZ	Handle Knob Bushing			

Please note that the number of adjusting washers may not be the same as shown in the exploded views.
(Adjustment will vary with each individual product.)