



XOOTR30LPS

SPACE SAVING LOW PROFILE OVER-THE-RANGE
MICROWAVE OVEN + VENTILATION

HOW BEAUTIFUL KITCHENS BREATHE



XOOTR30LPS

- 1000W | 1.2 cu ft Microwave
- Touch Controls w 10 Power Levels
- Sensor Cooking and Auto-Defrost
- 2 Speed Blower 400CFM MAX

LOW PROFILE OVER-THE-RANGE MICROWAVE OVEN + VENTILATION

This elegant low profile appliance is both an efficient, fully featured microwave oven and kitchen ventilation system capable of either recirculation for installations where venting outside is not possible, or ducted operating from either the top or rear of the unit.

Small in size - big on functionality. Just what you would expect from XO.

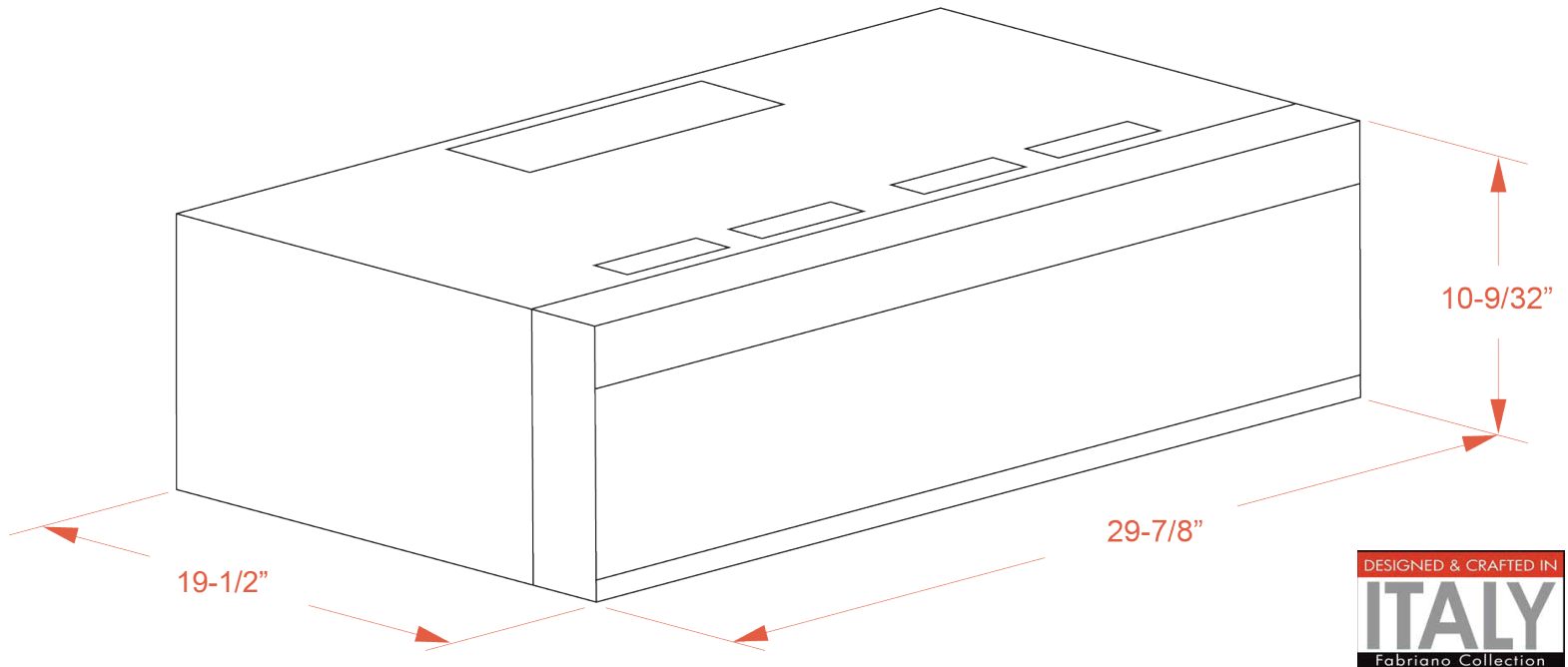
WORLD CLASS SERVICE | COMPREHENSIVE WARRANTIES
OUR LASTING COMMITMENT TO YOU



For 90 days, all our products are backed by our unique Love It or Leave It Guarantee*

XOOTR30LPS

LOW PROFILE OVER-THE-RANGE MICROWAVE OVEN + VENTILATION



FEATURES

FINISH

Black Glass Door w Stainless Steel Trim

MICROWAVE

- 1000W | 1.2 cu ft Microwave
- Touch Controls w 10 Power Levels
- Integrated Handle
- LED Clock
- 2 Level LED Lighting Illuminates Cooking Area
- Pre-Programmed Control Options
- Sensor Cooking and Auto-Defrost
- 11-11/16" Diameter Turntable w On/Off Feature

VENTILATION

- 2 Speed Blower 400CFM MAX
- Recirculation Standard
- Top/Rear Venting Option, Included (3-1/4" x 10")
- Dishwasher Safe Grease Filters
- Carbon Filter for Recirculation, Included

SPECIFICATIONS

ELECTRICAL 120VAC 60HZ 1550W 13AMPS*

PWR CONNECTIONS RIGHT TOP REAR

OVEN INTERIOR WHITE

DIMENSIONS

29-7/8W X 19-1/2"D X 10-9/32"H

MOUNTING SPACE

30" W x 13.8" D x 24" Above Cook-top

INTERIOR DIMENSIONS

22-7/8"W x 13"D x 6-15/16H

SHIPPING WEIGHT 85 LBS

CAPACITY (CU.FT.) 1.2

*Dedicated 15 amp service required
Unit must be properly grounded
See installation instructions