

# HERRINGBONE MIRROR ASSEMBLY INSTRUCTIONS



## PARTS PACKING CONFIGURATIONS

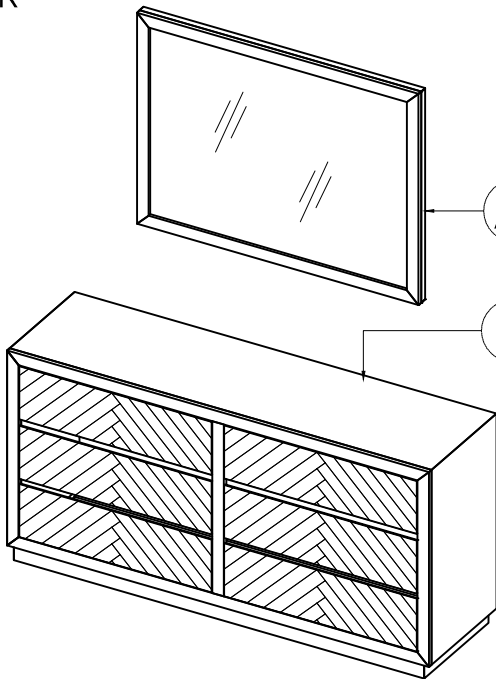
BOX #1

A. MIRROR - 1 PC

C. MIRROR SUPPORTS - 2 PCS

BOX #2

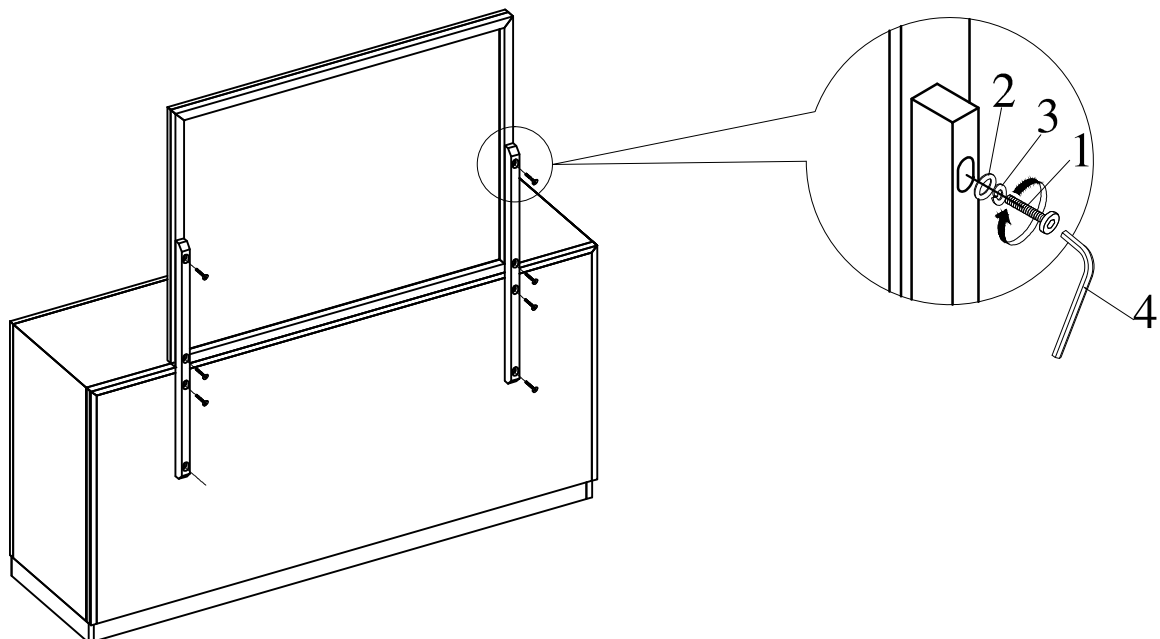
B. DRESSER



### HARDWARE PACKED IN BOX #1

No.	Description	Photo	Quantity
1	ALLEN BOLT (M6x45)		08 PCS
2	FLAT WASHER (M6)		08 PCS
3	SPRING WASHER (M6)		08 PCS
4	ALLEN KEY		1 PC

### OPTION 1: ATTACHING MIRROR TO DESSER



# HERRINGBONE MIRROR ASSEMBLY INSTRUCTIONS



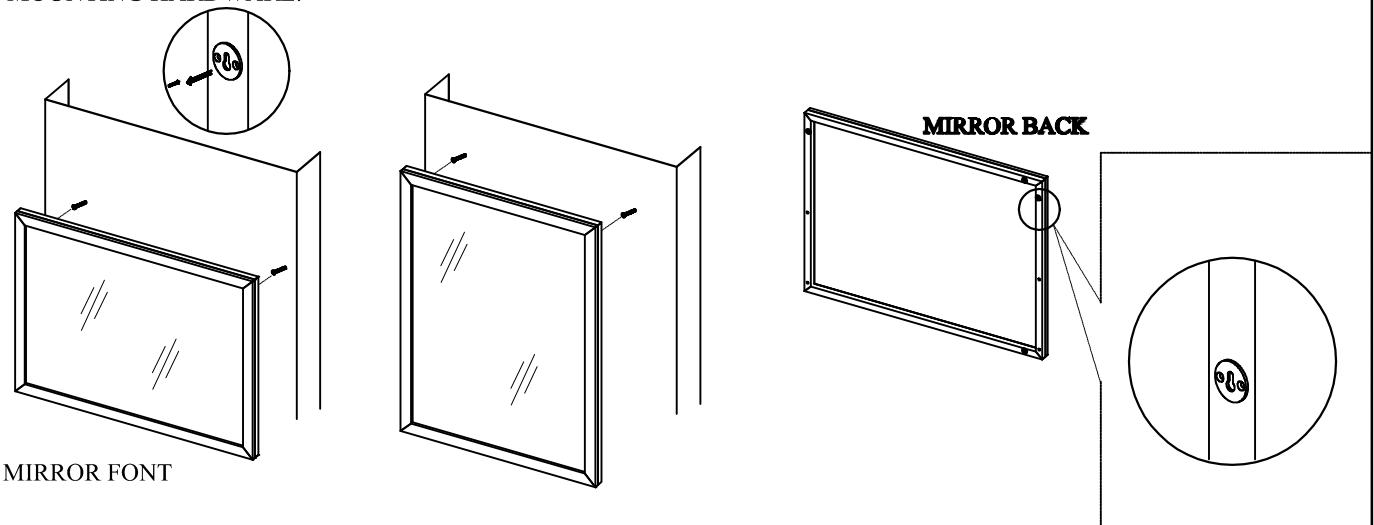
## OPTION 2: ATTACHING MIRROR TO WALL' BOLD

PRE-INSTALLED MIRROR BASKETS ARE TEARDROP SHAPED. TEST CONNECTION BETWEEN MIRROR BRACKET AND MOUNTING HARDWARE BEFORE INSTALLATION FOR SECURE FIT.

INSTALL MOUNTING HARDWARE ON THE WALL. MAKE SURE THE DISTANCE BETWEEN MOUNTING HARDWARE CENTERS ON THE WALL MATCHES THE DISTANCE BETWEEN BRACKET CENTER ON THE MIRROR.

**CAUTION: WE RECOMMEND INSTALLING MOUNTING HARDWARE IN WALL STUDS OR A BOARD THAT IS SECURED TO STUDS. CONSULT A PROFESSIONAL INSTALLER BEFORE INSTALLING IN DRYWALL.**

HANG THE MIRROR FROM THE MOUNTING HARDWARE ENSURE TEADROP BRACKETS HAVE CAUGHT THE MOUNTING HARDWARE.



## HERRINGBONE MIRROR FULLY ASSEMBLED ( TO DRESSER)

