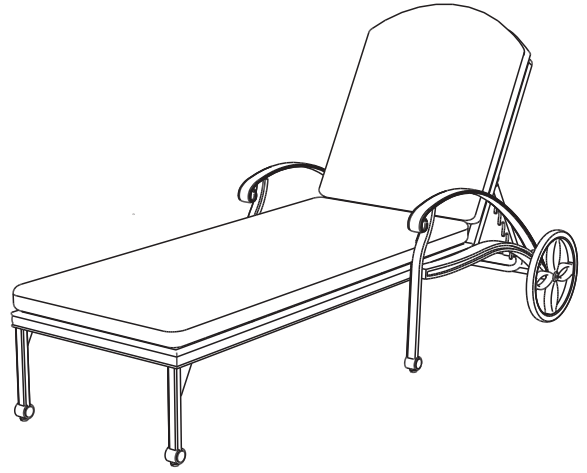


IMPORTANT

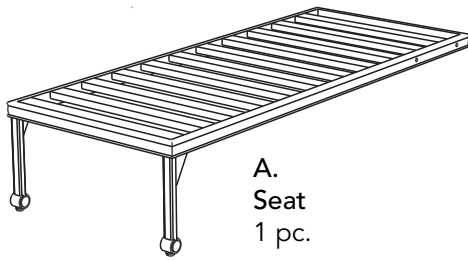
Carefully remove all the parts from the carton and place them individually on a soft cloth to prevent scratches or other damage.

Carefully and strictly follow these assembly instructions to ensure a completed product as designed.

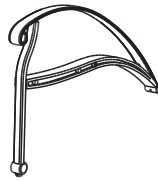
This product is made of aluminum. Do not use power tools above 8 volts to assemble and only tighten bolts until snug. Over tightening can damage the aluminum.



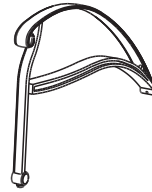
Part List



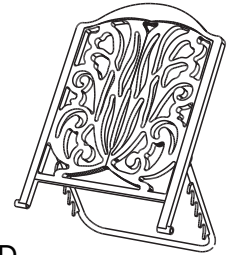
A.
Seat
1 pc.



B.
Arm
1 pc.



C.
Arm
1 pc.



D.
Back Frame
1 pc.



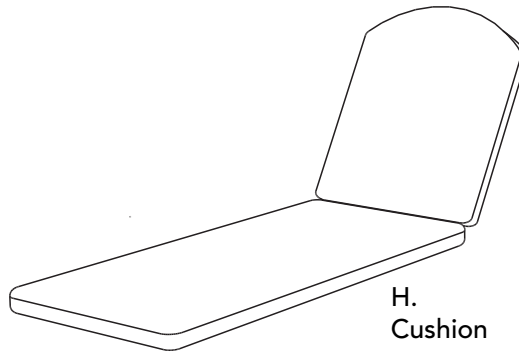
E.
Support
1 pc.



F.
Axle
1 pc.

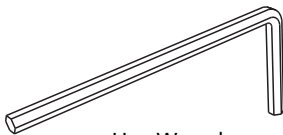


G.
Wheel
2 pcs.

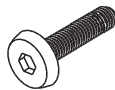


H.
Cushion
1 pc.

Hardware List



Hex Wrench
1 pc.



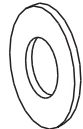
M8x30
Head Cap Bolt
4 pcs. (+1 extra)



Spring Washer
10 pcs. (+1 extra)



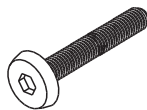
Flat Washer
10 pcs. (+1 extra)



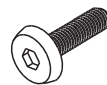
Plastic Washer
2 pcs. (+1 extra)



Hex Wrench (short)
1 pc.



M8x60
Head Cap Bolt (long)
2 pcs. (+1 extra)



M8x25
Head Cap Bolt (short)
4 pcs. (+1 extra)



M6x15
Short Bolt
2 pcs. (+1 extra)

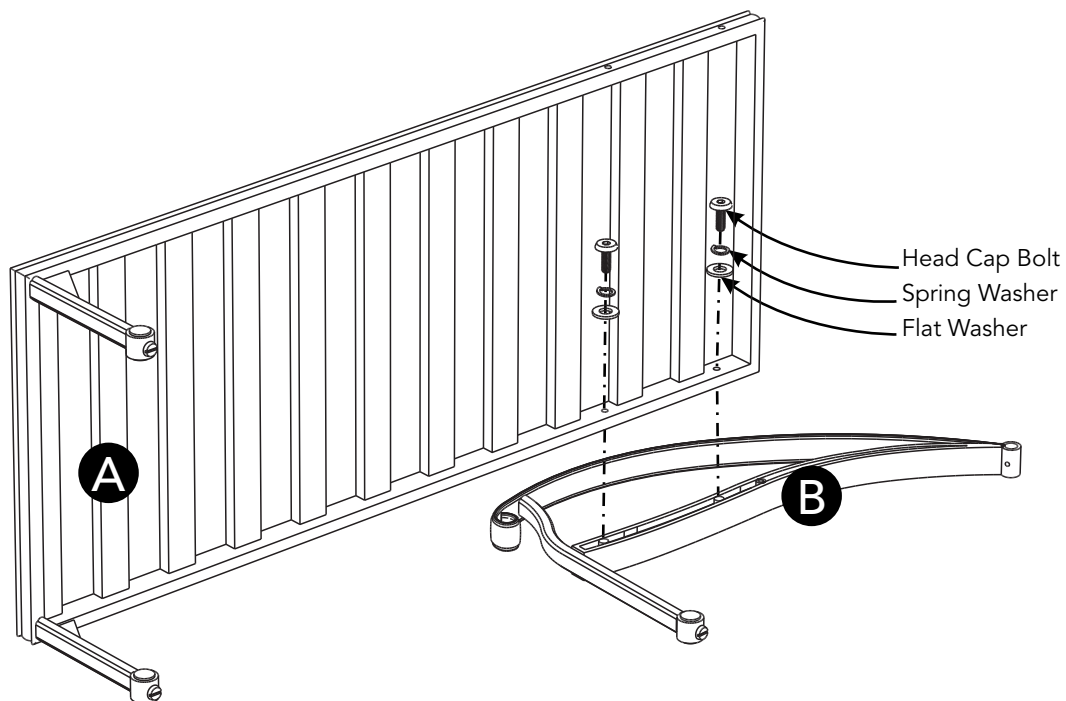


Cap
2 pcs. (+1 extra)

Assembly Instructions 2/5

IMPORTANT

- Use a soft cloth between these parts and the floor.
- Do not use power tools above 8 volts to assemble.
- Do not tighten all the bolts until each part is properly assembled.
- The unit must be level to work properly. Use the included adjustable levelers to level.
- Keep Hex Wrench as the bolts may need to be tightened in the future.



STEP 1

Attach Arm (B) to Seat (A) with Flat Washers, Spring Washers and Head Cap Bolts, tightening bolts only halfway.
(See Figure 1)

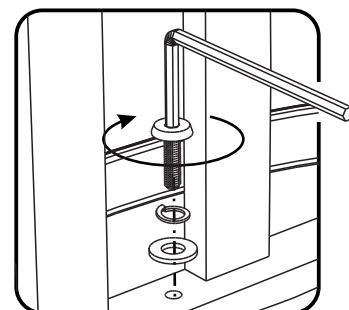
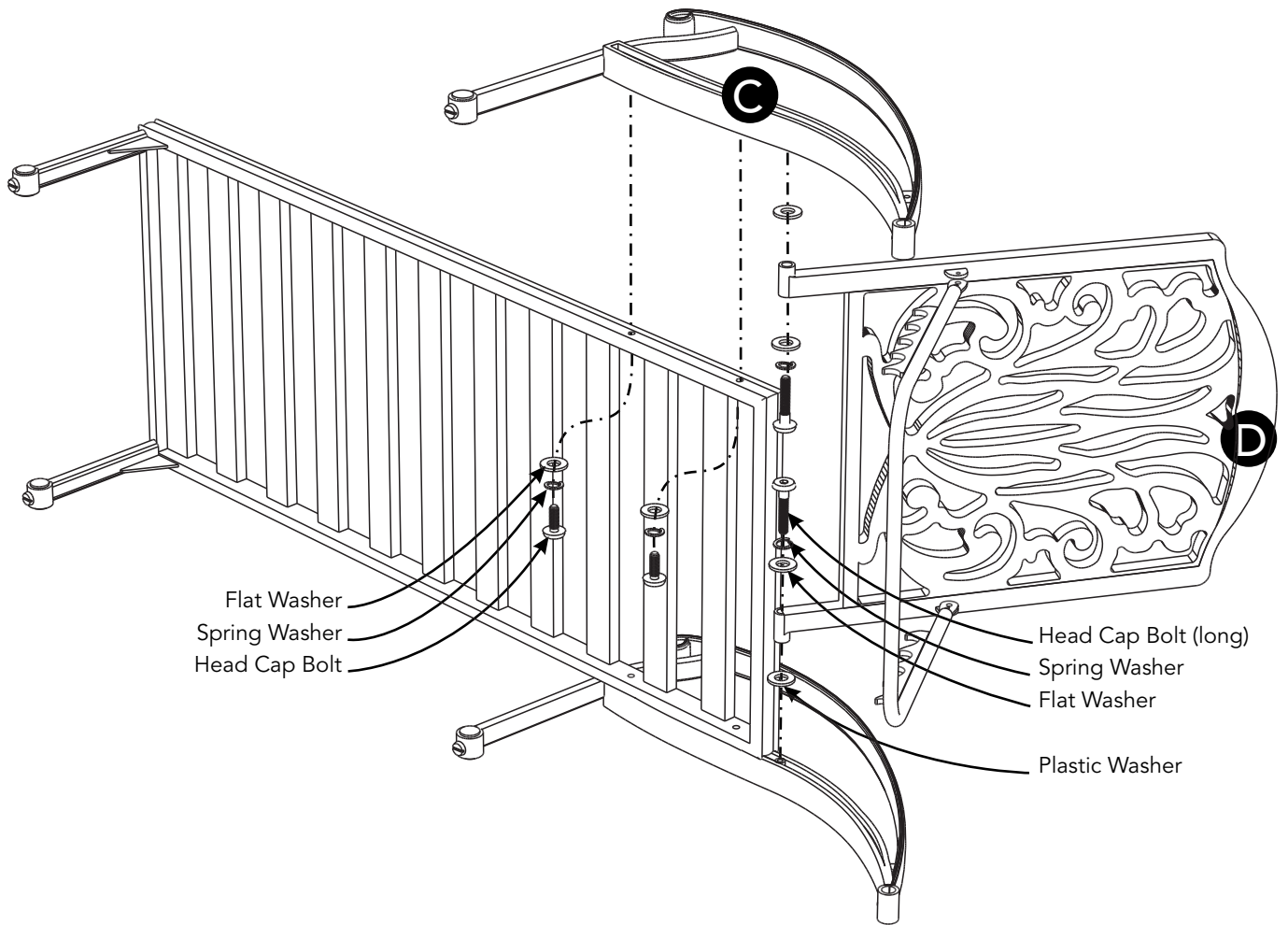


Figure 1



STEP 2

Attach Back Frame (D) to unit with Plastic Washer, Flat Washer, Spring Washer and Head Cap Bolt (long), tightening bolt only halfway.
(See Figure 2)

Attach Arm (C) to unit with Plastic Washer, Flat Washers, Spring Washers, Head Cap Bolts and Head Cap Bolt (long), tightening bolts only halfway.

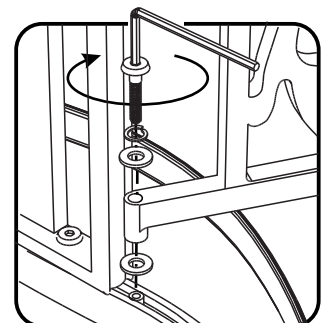
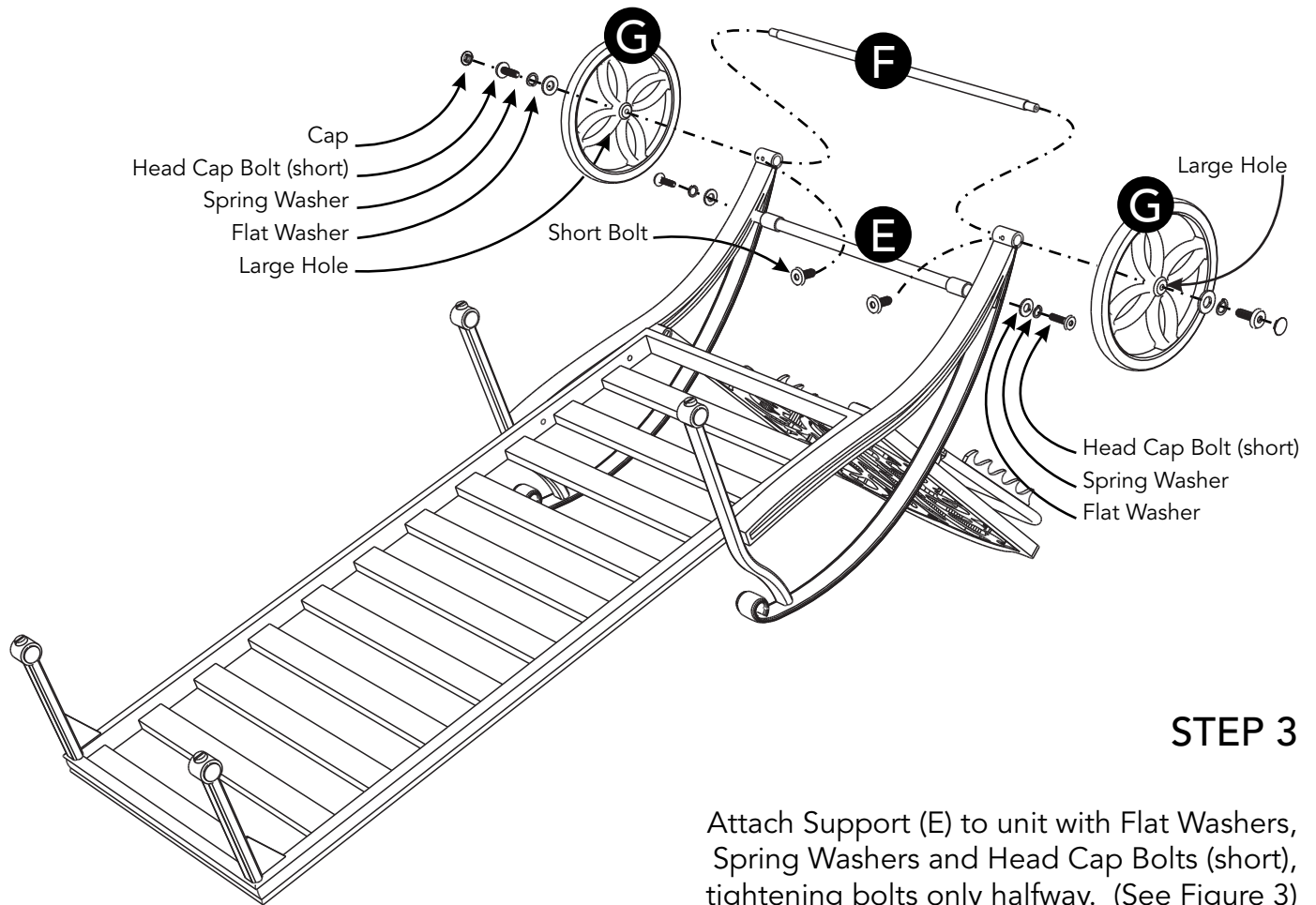


Figure 2

Assembly Instructions 4/5



STEP 3

Attach Support (E) to unit with Flat Washers, Spring Washers and Head Cap Bolts (short), tightening bolts only halfway. (See Figure 3)

Insert Axle (F) into unit.

Orientate Wheels (G) so large hole in center of Wheels (G) is to outside of unit, then attach Wheels (G) to unit with Head Cap Bolts (short), Spring Washers and Flat Washers, tightening Head Cap Bolts only halfway. (See Figure 4)

Tighten all bolts used in Steps 1, 2 and 3.

Lock Axle (F) in place by inserting Short Bolts into per-drilled holes in unit, then tighten bolts. (See Figure 5)

Cover center wheel holes with Caps.

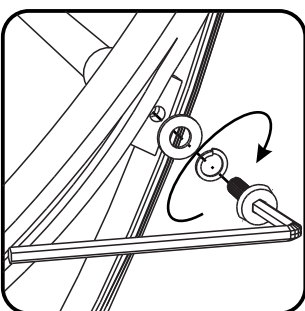


Figure 3

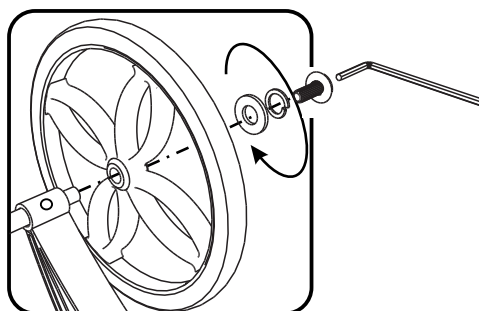


Figure 4

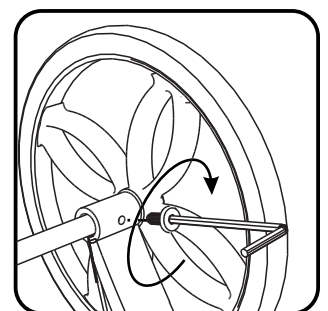


Figure 5

Assembly Instructions 5/5

STEP 4

Turn unit over to its upright position.

Level unit by adjusting the adjustable levelers on bottom of unit. (See Figure 6)

Place Cushion (H) onto unit.

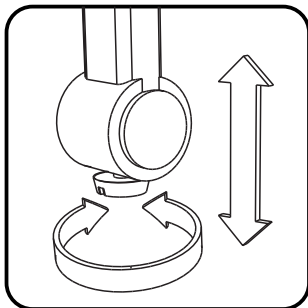
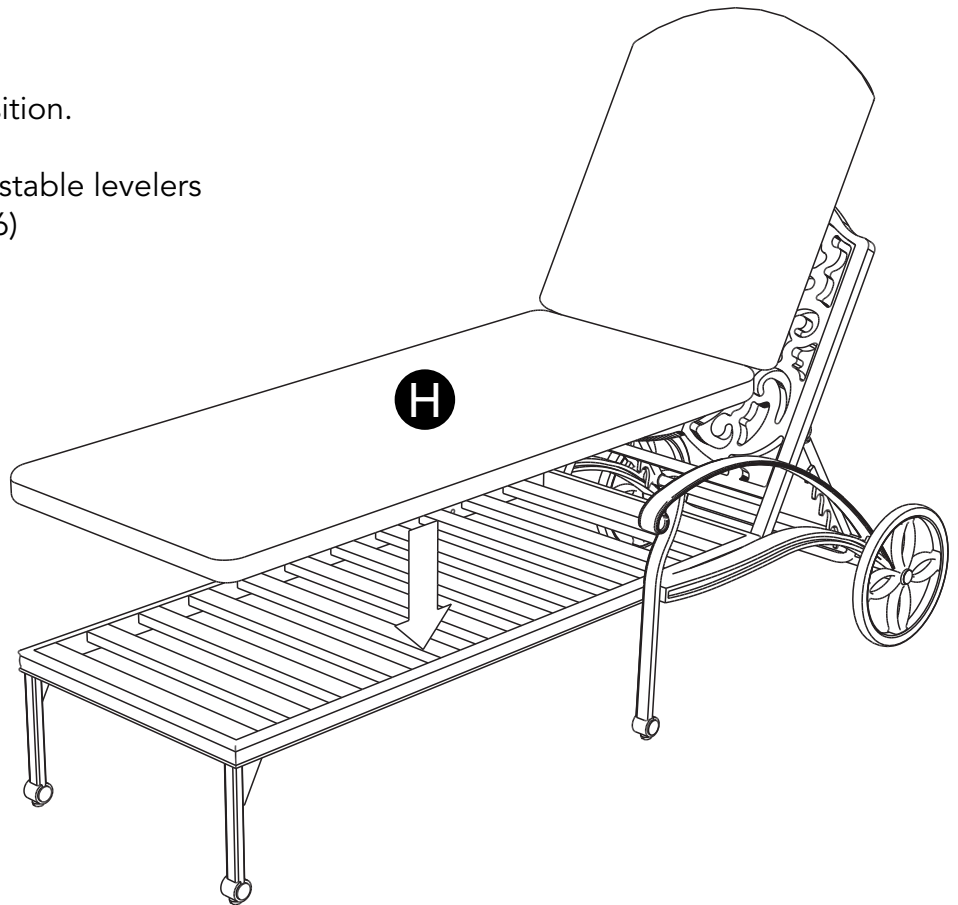


Figure 6



STEP 5

Attach Cushion (H) to unit with velcro. (See Figure 7)

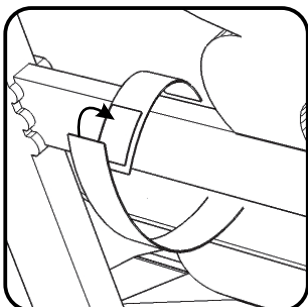
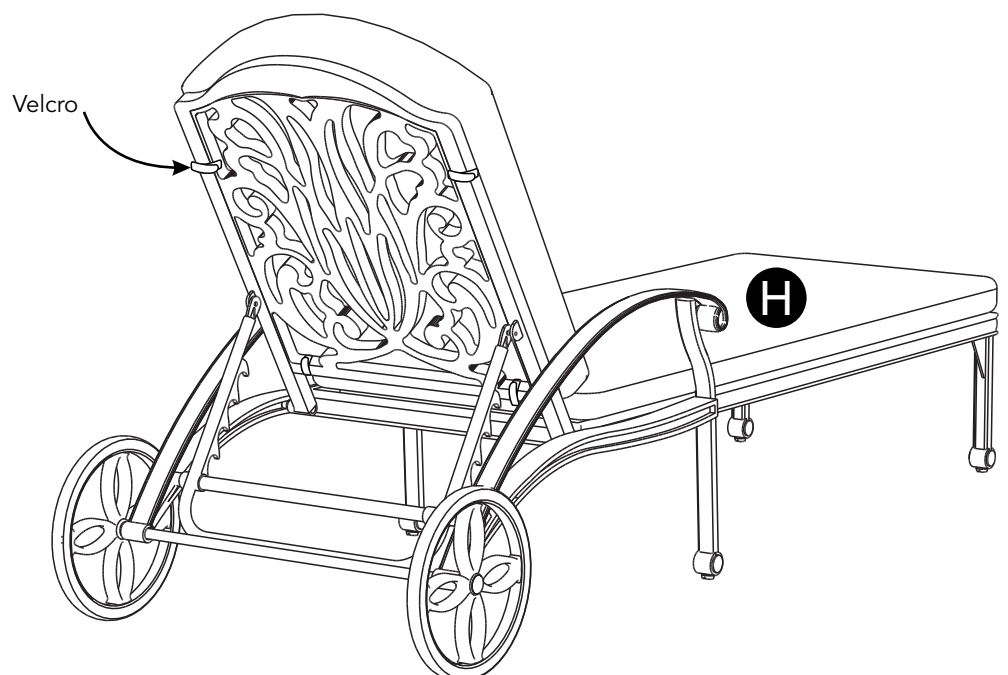


Figure 7



CARE INSTRUCTIONS

NEVER

allow liquids to remain on furniture.
Absorption causes parts to warp
and split and finishes to delaminate.

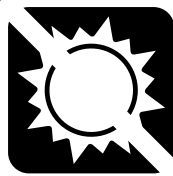
NEVER

use glass cleaners on
finished furniture. Ammonia
chemically attacks the finish.



Do not use power tools
above 8 volts to assemble.

**PREVENT
CRACKING**



Do not place
in direct sunlight.

**PREVENT
FADING**



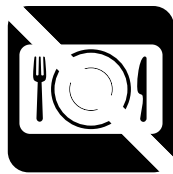
Do not write
directly on surface.

**PREVENT
MARKING**



Do not place hot
objects on surface.

**PREVENT
FINISH DAMAGE**



Do not use rubber
based placemats.

**PREVENT
DISCOLORING**

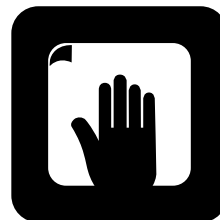


Do not use commercial
waxes and polishes.

**PREVENT
YELLOWING**

CLEAN

with a soft cloth moistened
in lukewarm soap and water.
Buff with a dry clean cloth.



homestyles will provide replacements free of charge for missing or damaged parts within 2 years of purchase. Digital images of the defective parts may be required. If the product was not purchased from an authorized retailer, **homestyles** is under no obligation to provide replacement parts. Parts are not available for fully assembled items nor are parts available for sale. Replacements for missing or damaged parts may be requested via contact info below.

homestyles Customer Service: www.homestylesfurniture.com,
servicedesk@homestylesfurniture.com, 888-680-7460