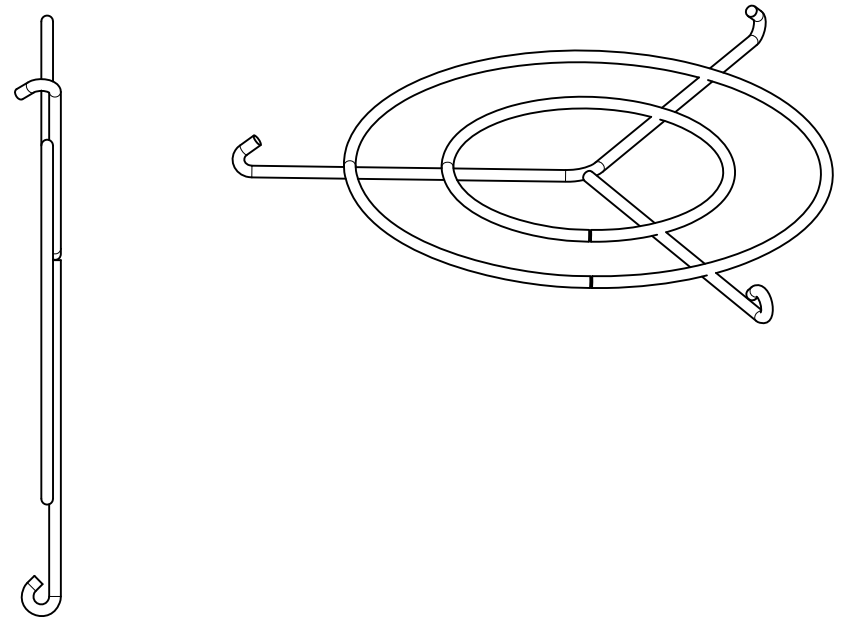
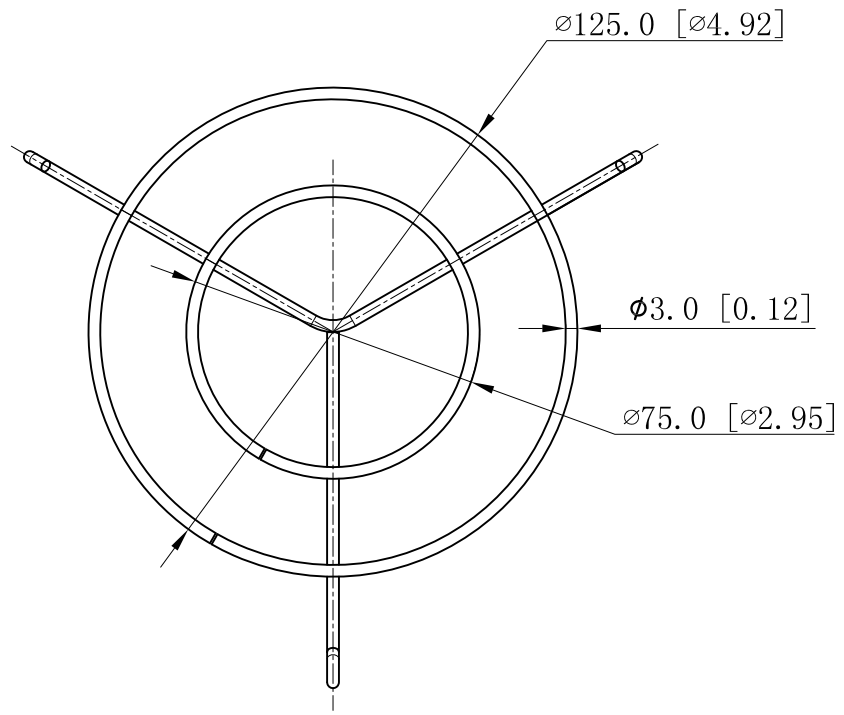


| | |
|---|--------|
| SIDES | BOTTOM |
| | |
| | |
| | |
| Material:C1008-C1018, Finish: Powder coating green; | |



| |
|-----------------------|
| DESCRIPTION |
| |
| TRADE REFERENCE TERMS |
| |

| | | | |
|--------------------------|---|------------------|-----|
| STANDARD PACKING | GARVIN INDUSTRIES | | |
| | TITLE Templight fixture bottom guard | | |
| | SIZE A4 | DWG NO. TLSGW | REV |
| | DATA SHEET | | |
| www.garvinindustries.com | | | |