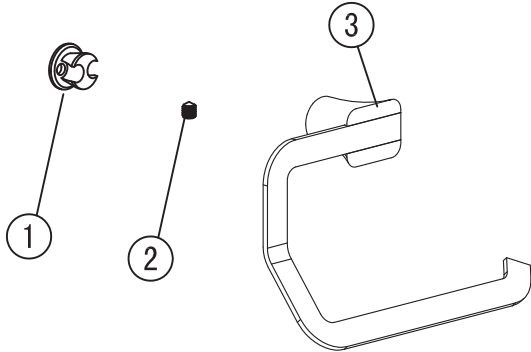




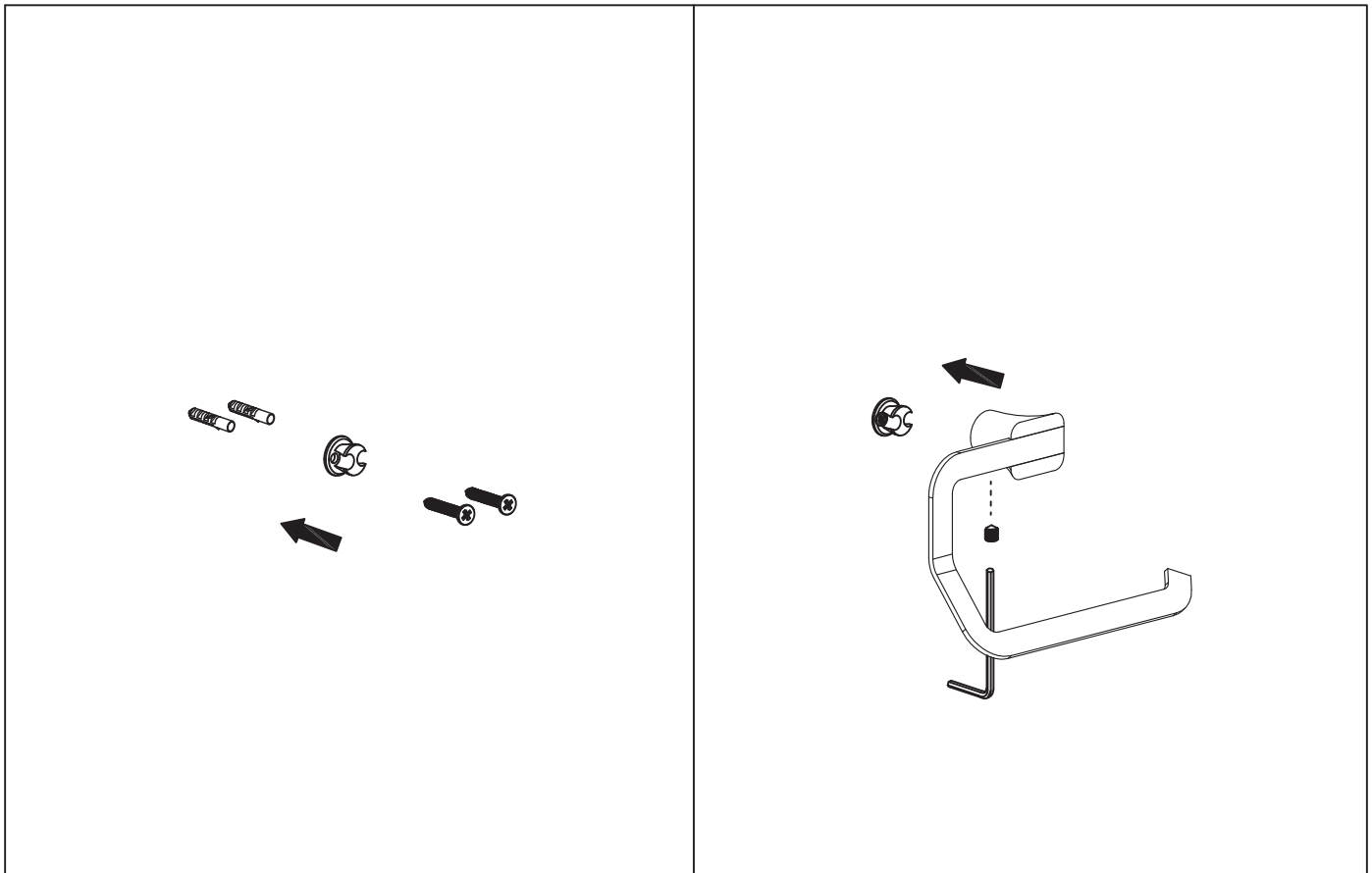
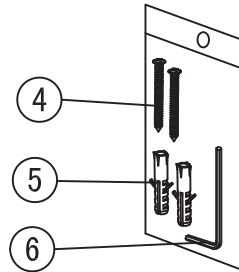
ANZZI™

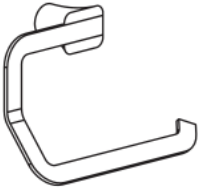
AC-AZ054

Have questions? Call us at 1-844-44-ANZZI or visit us at [www.ANZZI.com](http://www.ANZZI.com).



| Code | The Accessory List | Quantity |
|------|--------------------|----------|
| 1    | Fixing base        | 1        |
| 2    | Screw              | 1        |
| 3    | Tissue holder      | 1        |
| 4    | Screw              | 2        |
| 5    | Plastic insert     | 2        |
| 6    | Allen key          | 1        |





ANZZI™

AC-AZ054

Have questions? Call us at 1-844-44-ANZZI or visit us at [www.ANZZI.com](http://www.ANZZI.com).

