

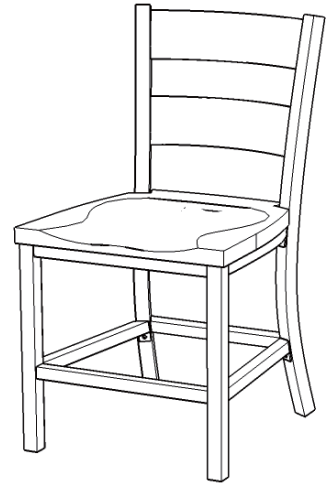
# 88 5411 80 Dining Chair

## IMPORTANT NOTE

Carefully remove all the parts from the carton and put them individually on a soft cloth to prevent scratches or other damage occurring to the parts.

We have taken great care in the design of this product and request that you carefully and strictly follow our assembly instructions to ensure a completed product as it was designed.

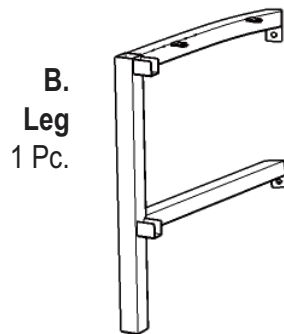
Home  
Styles



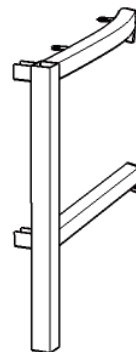
## Part List



**A.**  
**Seat**  
1 Pc.



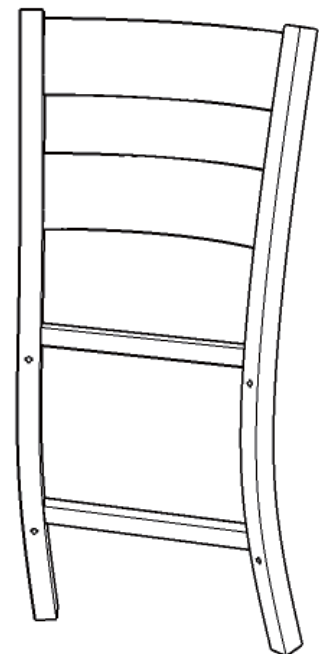
**B.**  
**Leg**  
1 Pc.



**C.**  
**Leg**  
1 Pc.



**D.**  
**Stretcher**  
2 Pcs.



**E.**  
**Back Frame**  
1 Pc.

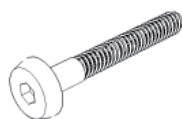
## Hardware List



**Small Hex Wrench**  
1 Pc.



**Hex Wrench**  
1 Pc.



**Head Cap Bolt**  
8 Pcs. (+1 extra)



**Spring Washer**  
8 Pcs. (+1 extra)



**Flat Washer**  
8 Pcs. (+1 extra)



**Wood Screw**  
4 Pcs. (+1 extra)

**Tools required for assembly :** Phillips screwdriver

**Home Styles Consumer Assistance :** [www.homestyles-furniture.com](http://www.homestyles-furniture.com),  
[servicedesk@homestyles-furniture.com](mailto:servicedesk@homestyles-furniture.com), 888-680-7460, 877-831-0319

## IMPORTANT

- \* Please keep Hex Wrench in a safe place as you may need to tighten up the Head Cap Bolts in the future.
- \* Do not tighten all the Head Cap Bolts until each part is properly assembled.
- \* Use a soft cloth between these parts and the floor.

## STEP 1

Attach Stretchers (D) to Leg (B) with Head Cap Bolts, Spring Washers and Flat Washers, tightening the bolts only half way. (See Figure 1)

Attach Leg (C) to unit with Head Cap Bolts, Spring Washers and Flat Washers, tightening the bolts only half way.

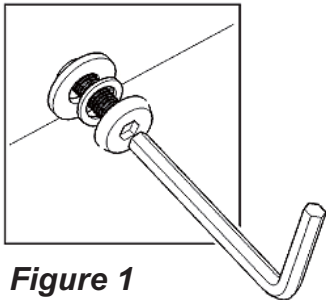
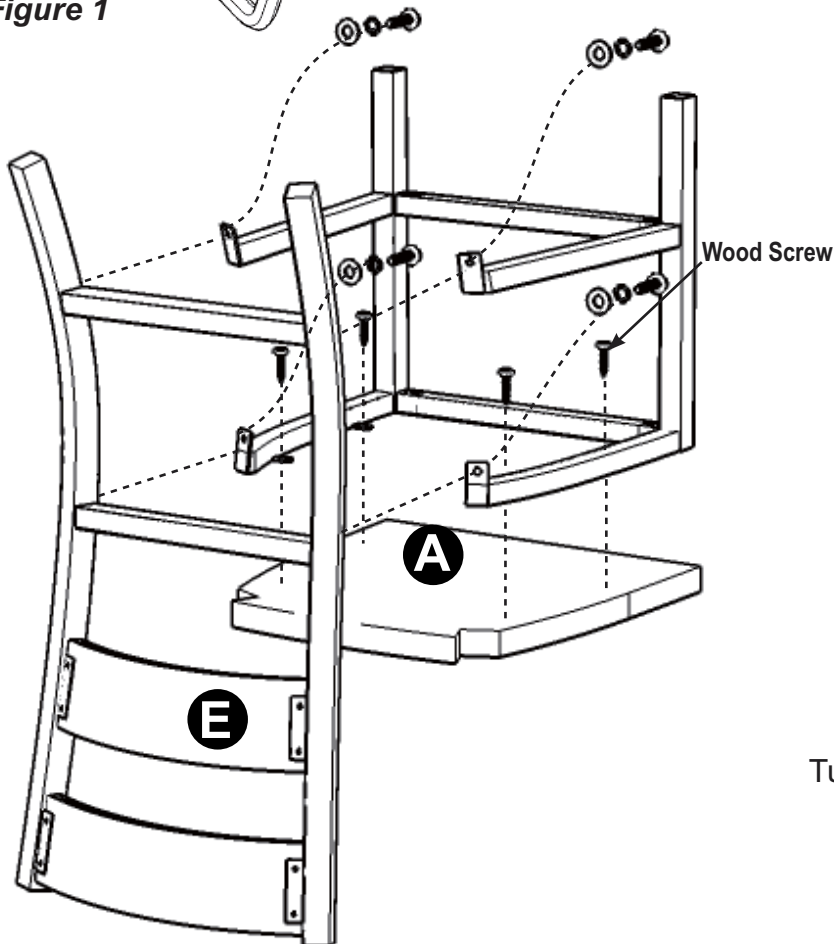
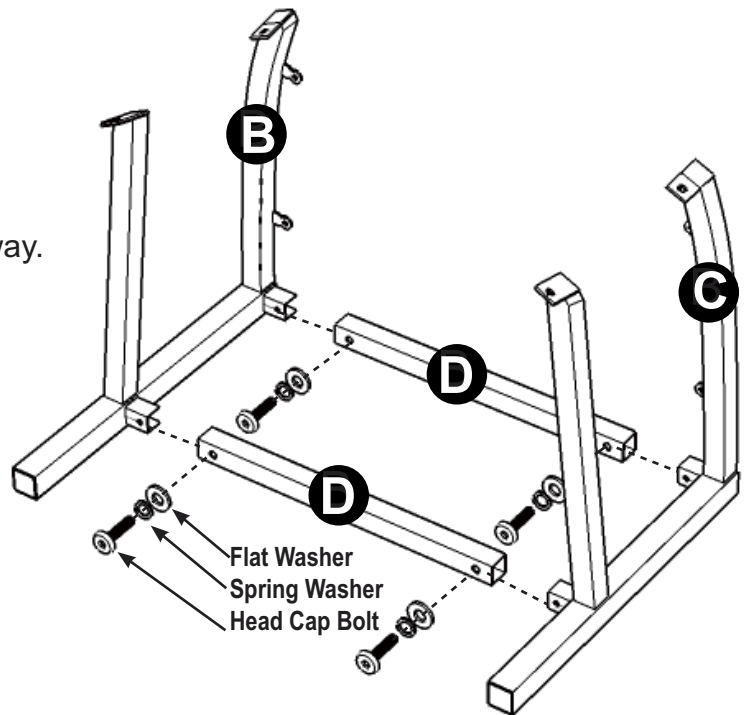


Figure 1



## STEP 2

Attach Back Frame (E) to unit with Head Cap Bolts, Spring Washers and Flat Washers, tightening the bolts only half way.

Tighten all Head Cap Bolts.

Attach Seat (A) to unit with Wood Screws.

Turn the unit over to its' upright position.