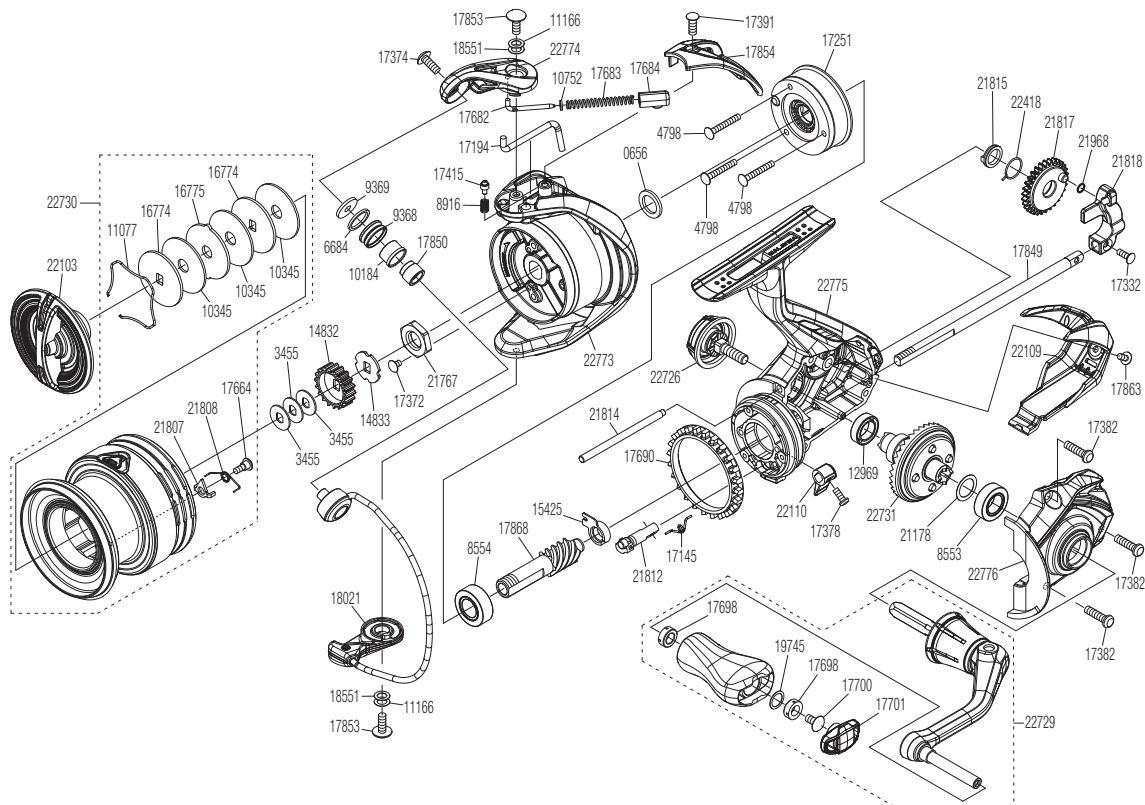


SHIMANO

SEDONA

SE-2500HG



(51SB506E28X)

Please note that the number of adjusting washers may not be the same as shown in the exploded views.
(Adjustment will vary with each individual product.)

#	Part No.	Description	#	Part No.	Description	#	Part No.	Description
0656	1074R	Washer	17378	10L1R	Screw	21814	10TBF	Oscillating Guide
3455	10BXN	Spool Washer	17382	10L6J	Screw	21815	10TBH	Bushing
4798	103C6	Screw	17391	10LFK	Screw	21817	100QJ	Oscillating Gear
6684	10KFD	Spacer	17415	106ZC	Click Pin	21818	100KG	Oscillating Slider
8553	107AT	Ball Bearing	17664	10TRB	Screw	21968	101BW	O Ring
8554	107FE	Ball Bearing	17682	1061L	Bail Spring Guide A	22103	10T6H	Drag Knob Assembly
8916	10CH0	Click Spring	17683	105R6	Bail Spring	22109	100PN	Rear Protector
9368	10JLF	Line Roller	17684	107AB	Bail Spring Guide B	22110	100HA	Anti Reverse Lever
9369	10PPF	Washer	17690	104FV	Friction Ring	22418	10RPB	Bushing Spring
10184	10PFH	Bushing	17698	10PXZ	Bushing	22726	13YP8	Handle Screw Cap Assembly
10345	10N5A	Drag Washer	17700	10LFA	Screw	22729	13YPB	Handle Assembly
10752	10TYE	Bail Spring Guide A Collar	17701	10TNJ	Handle Knob Seal	22730	13YPC	Spool Assembly
11077	10MZX	Retainer	17849	10DMK	Main Shaft	22731	13YPD	Drive Gear Assembly
11166	10KFA	Washer	17850	1020X	Collar	22773	13Z9G	Rotor
12969	107FA	Ball Bearing	17853	10LFH	Screw	22774	13Z9H	Bail Arm
14832	103MU	Spool Support A	17854	10DNX	Bail Spring Cover	22775	13Z9J	Body
14833	10J04	Spool Support B	17863	10LCS	Screw	22776	13Z9K	Side Cover
15425	1074K	Bushing	17868	10DMH	Pinion Gear			
16774	10BCE	Key Washer	18021	10RUM	Bail Assembly			
16775	102ZD	Eared Washer	18551	10K96	Washer			
17145	105B4	Anti Reverse Cam Spring	19745	104FH	Washer			
17194	106P2	Bail Trip Lever	21178	10EEZ	Washer			
17251	10QPN	Roller Clutch Assembly	21767	10RXE	Rotor Nut			
17332	10R1P	Screw	21807	10DS4	Drag Click			
17372	10LCE	Screw	21808	10DS6	Drag Click Spring			
17374	10K90	Screw	21812	10T82	Anti Reverse Cam			

(240228)_003