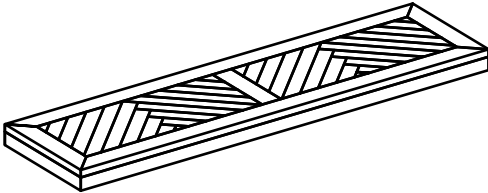


HERRINGBONE BENCH ASSEMBLY INSTRUCTIONS

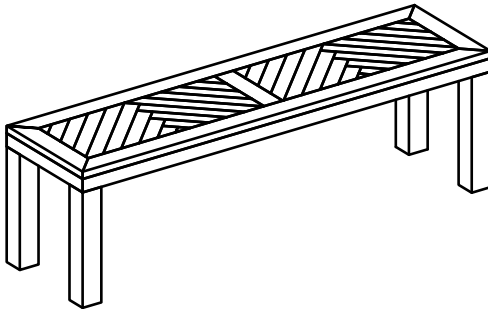
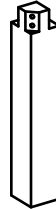


PARTS PACKING CONFIGURATIONS





A. TOP (1PC)

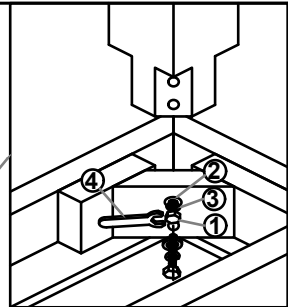
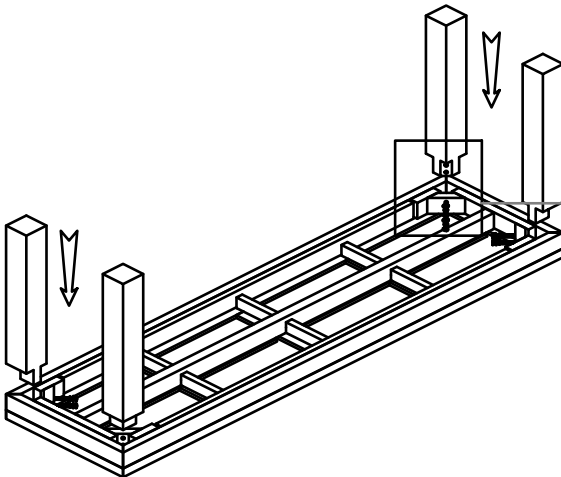


B. LEG (4PCS)



HARDWARE LIST:

No.	Description	Photo	Quantity
1	ALLEN BOLT (M8X65)		8 PCS
2	FLAT WASHER (M8)		8 PCS
3	SPRING WASHER (M8)		8 PCS
4	SPANNER		1 PC



HERRINGBONE BENCH ASSEMBLY INSTRUCTIONS



HERRINGBONE BENCH FULLY ASSEMBLED :

