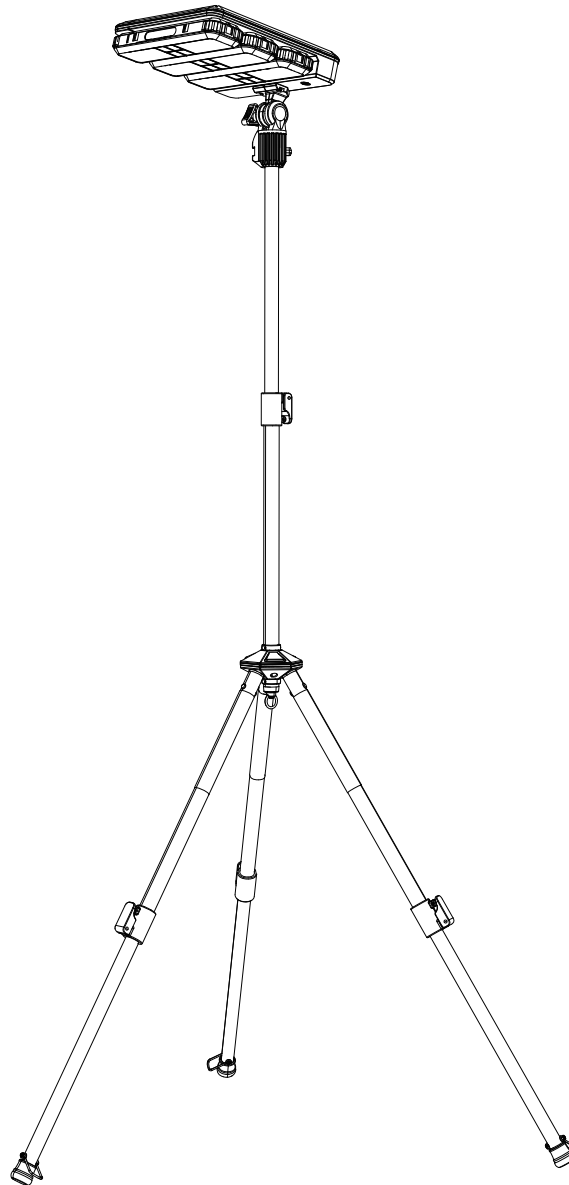


IMPORTANT SAFETY INSTRUCTIONS AND INSTALLATION GUIDE

High Lumen LED Solar Work Light with Tripod

IMPORTANT, RETAIN FOR FUTURE REFERENCE: READ CAREFULLY



SAVE THESE INSTRUCTIONS

FEIT ELECTRIC COMPANY | PICO RIVERA, CA, USA
(800) 543-3348 | FAX (562) 908-6360 | www.feit.com
HOURS OF OPERATION: MONDAY - FRIDAY, 8:00 AM - 5:00 PM (PST),
LANGUAGES SPOKEN: ENGLISH, FRENCH AND SPANISH

Table of Contents

Safety Information	2	Product Overview	4
Maintenance and Care	2	Assembly	5
FCC Statement	2	Functions and Versatility	5
Limited Warranty	2	Charging Methods	6
Pre-Assembly	3	Operating Instruction	6

Important Safety Information

READ ALL INSTRUCTIONS

- All safety and operating instructions in this manual must be followed before using this product.
- Follow all safeguards stated in the manual, in addition to normal safety precautions in working with electrical devices. Always follow basic safety precautions to reduce the risk of fire, electric shock and personal injury.
- Do not place near any heat source.
- To reduce the risk of electrical shock, do not put in water or other liquid. Do not place or store product where it can fall or be pulled into a tub or sink.
- Do not crush or incinerate.
- Do not insert foreign objects into this product.
- Do not touch solar panel after long hours under the sun.
- To reduce the risk of fire, keep away from combustible materials while in operation.
- To reduce the risk of injury, close supervision is necessary when this product is used near children.
- Do not attempt to repair, disassemble or modify under any circumstances.
- Do not smother lamp or place it near anything flammable.



WARNING: RISK OF SHOCK. House electric current can cause painful shock or serious injury unless handled properly.



WARNING: Changes or modifications to this unit not expressly approved by the party responsible for compliance could void the user's authority to operate the equipment.

SAVE THESE INSTRUCTIONS

Maintenance and Care

Recommended maintenance: Regularly clean the solar panel and stand with a non-abrasive cleaning cloth.

FCC Statement

Supplier's Declaration of Conformity: 47 CFR § 2.1077 Compliance Information
Responsible Party: Feit Electric Company, 4901 Gregg Road, Pico Rivera, CA 90660, USA, 562-463-2852
Unique Identifier: SOLAR/TRIPOD

This device complies with part 15 of the FCC Rules. Operation is subject to the following two conditions:

(1) This device may not cause harmful interference, and (2) this device must accept any interference received, including interference that may cause undesired operation. Note: This equipment has been tested and found to comply with the limits for a Class B digital device, pursuant to part 15 of the FCC Rules. These limits are designed to provide reasonable protection against harmful interference in a residential installation. This equipment generates, uses and can radiate radio frequency energy and, if not installed and used in accordance with the instructions, may cause harmful interference to radio communications. However, there is no guarantee that interference will not occur in a particular installation. If this equipment does cause harmful interference to radio or television reception, which can be determined by turning the equipment off and on, the user is encouraged to try to correct the interference by one or more of the following measures: Reorient or relocate the receiving antenna. Increase the separation between the equipment and receiver. Connect the equipment into an outlet on a circuit different from that to which the receiver is connected. Consult the dealer or an experienced radio/TV technician for help. Any changes or modifications not expressly approved by the manufacturer could void the user's authority to operate the equipment.

Limited Warranty

This product is warranted to be free from defects in workmanship and materials for up to 1 year from date of purchase. If the product fails within the warranty period, please contact Feit Electric at info@feit.com, visit feit.com/contact-us or call 1-866-326-BULB (2852) for instructions on replacement or refund. REPLACEMENT OR REFUND IS YOUR SOLE REMEDY. EXCEPT TO THE EXTENT PROHIBITED BY APPLICABLE LAW, ANY IMPLIED WARRANTIES ARE LIMITED IN DURATION TO THE DURATION OF THIS WARRANTY. LIABILITY FOR INCIDENTAL OR CONSEQUENTIAL DAMAGES IS HEREBY EXPRESSLY EXCLUDED. Some states and provinces do not allow the exclusion of incidental or consequential damages, so the above limitation or exclusion may not apply to you. This warranty gives you specific legal rights, and you may also have other rights which vary from state to state or province to province.

SPECIFICATIONS

Charging Options	1. USB-C 5V 2A adapter 2. Solar Panel charging
CRI	80
Lumens	Up to 1000 lumens per light bar Up to 3000 lumens total
CCT	6500K
Life	20,000 hrs
Run Time	2 hrs - 12 hrs

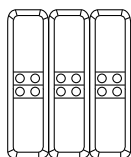
USB Charging Time	Master Charging Station: 5VDC 2A 8 hrs single bar 10 hrs double bars 12 hrs triple bars Single Bar Charging: 5VDC 1A 8 hrs single bar only
Solar Charging Time	8 hrs single bar 16 hrs double bars 24 hrs triple bars
Operating Temperature	For battery charging: 32°F to 113°F (0°C to 45°C) For light operation: 14°F to 140°F (-10°C to 60°C)
Battery	Single Light Bar: 3.7V 5000mAh 18.5Wh non-replaceable Lithium-ion battery

PARTS INCLUDED

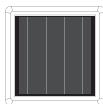
Part	Description	Quantity
A	LED Light Bar	3
B	Solar Panel (Master Charging Station)	1
C	Tripod axis	1
D	Tripod Leg	3
E	USB-C cable	1
F	USB power adapter	1
G	Carrying Case	1
H	Portable hanging rope	1
I	Tripod stone bag	1
J	Ground stakes	3



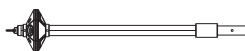
NOTE: Hardware images are for illustration purposes only. Actual product size may vary.



A



B



C



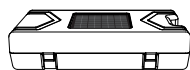
D



E



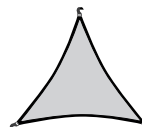
F



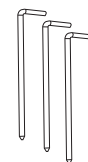
G



H

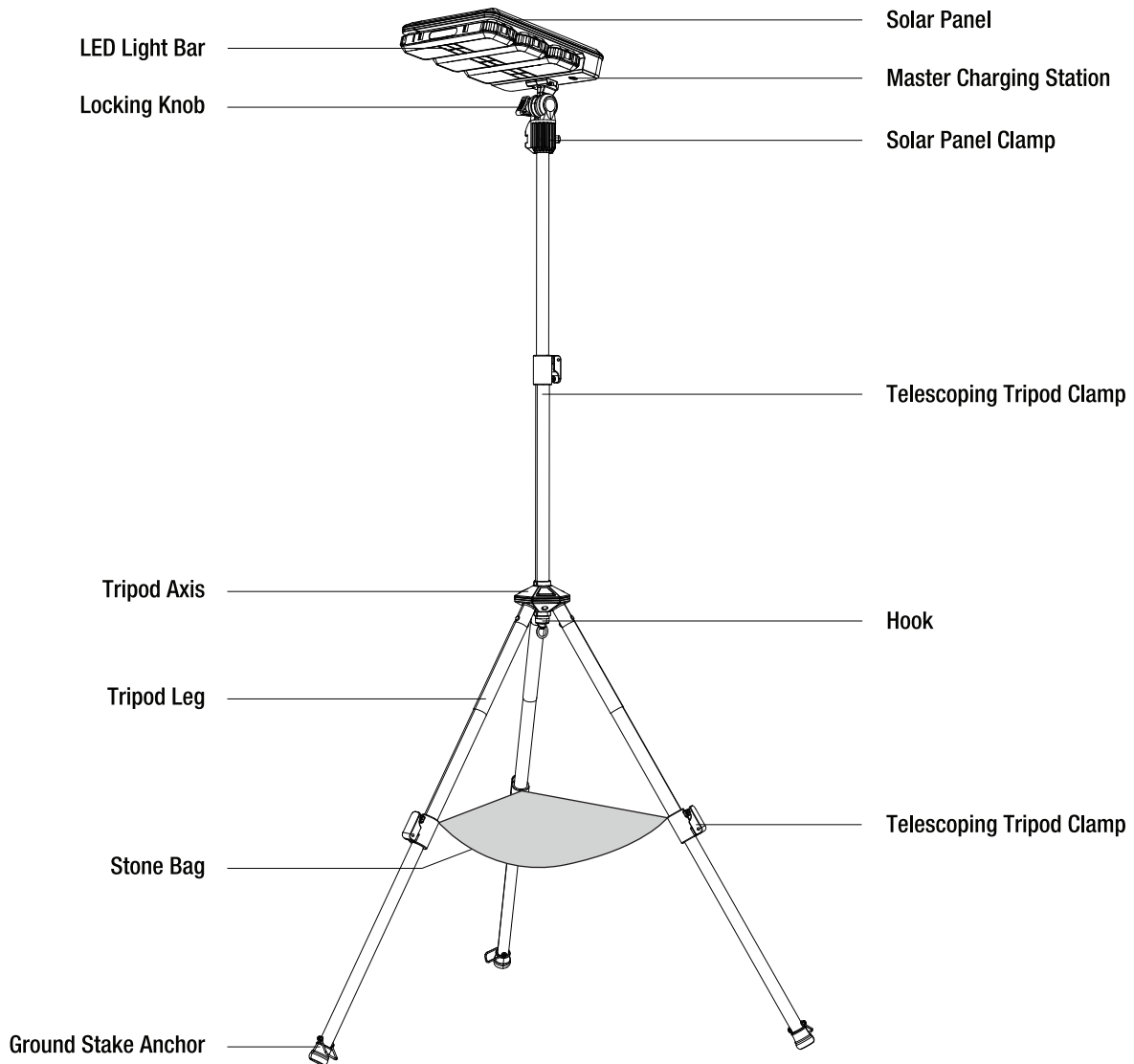
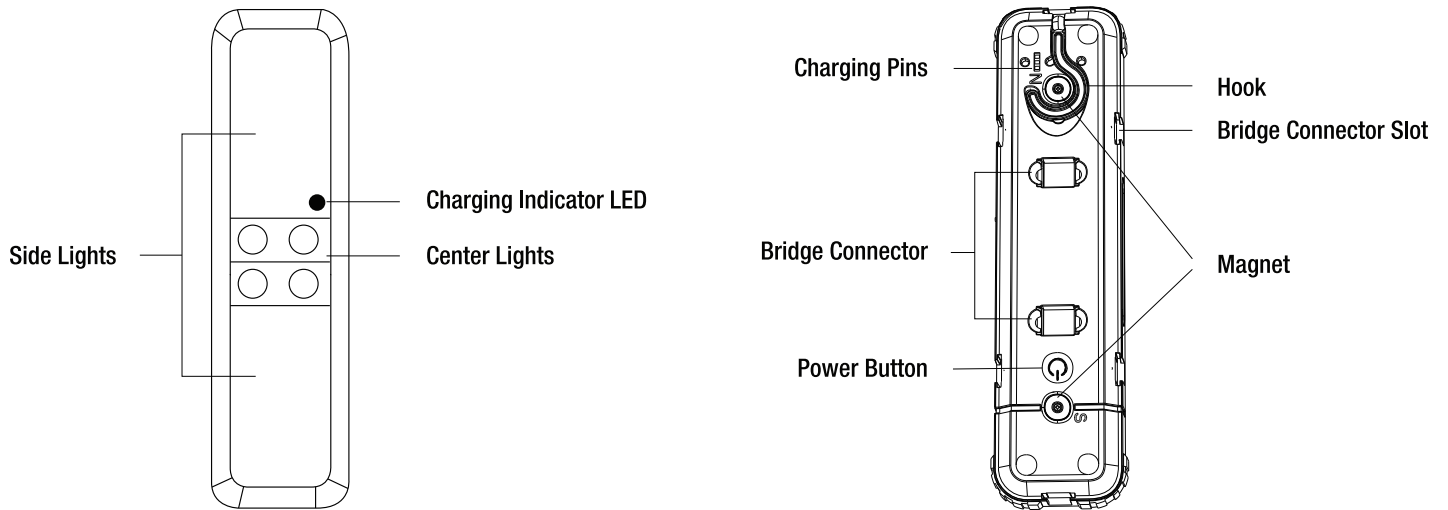


I



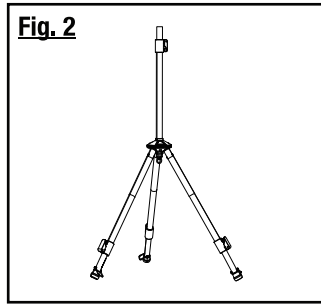
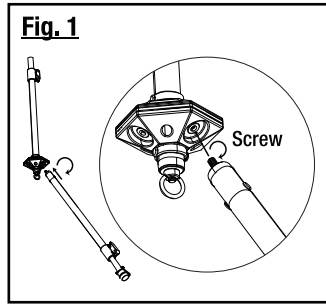
J

Product Overview



1 Setting up the Tripod

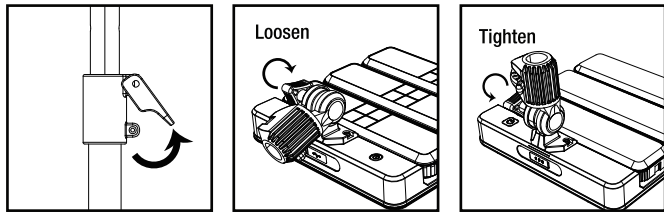
Screw in the Tripod leg (D) into the Tripod Axis (C) (Fig. 1). Repeat this step to the remaining legs. (Fig. 2).



2 Angle and Height Adjustment

To adjust the height of the tripod, open the Telescoping Tripod clamp. Lift to the desired height then close clamp to lock into place. Adjust the angle of the solar panel by loosening the locking knob. Once desired angle is set tighten the knob.

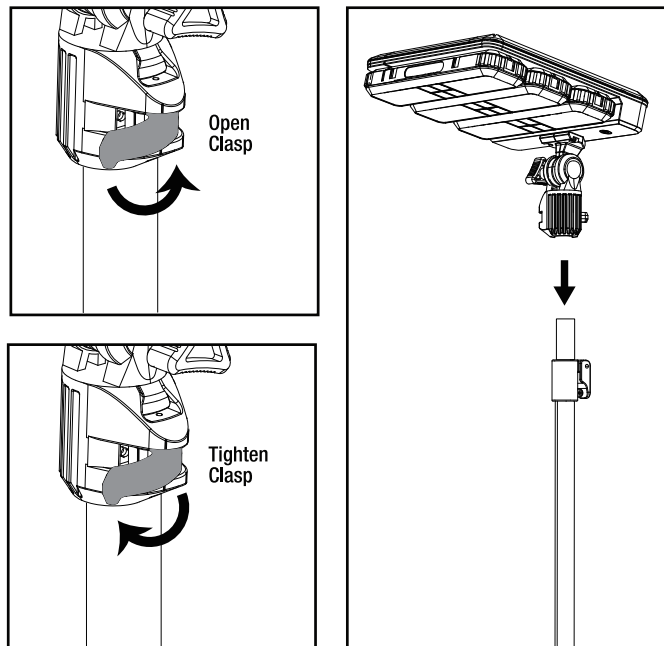
Fig. 3



3 Attaching the Solar Panel to the Tripod

Attach the solar panel (B) to the tripod. Make sure the clasp is open. Close the clasp once in position.

Fig. 4



Outdoor

When using three bars, the overall lumen output is around 3000 lumens. The tripod is equipped with height and tilt adjustments. It has five different light modes including SOS mode.

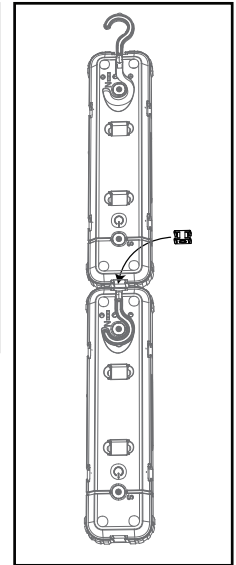
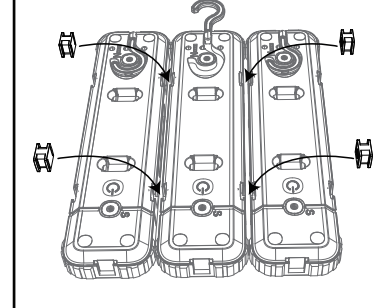
Powerbank

Each LED light bar has a 5000mAh battery with a USB port for 5VDC 1A output. The master charging station does not have any batteries, therefore cannot charge your mobile device without solar charging or a power adapter.

Alternative ways to use your Light bars

The LED light bars can be used individually or as a group, shown in the figures below.

Fig. 5



NOTE: Remove the bridge adapter located at the back of the light bar. Slide the bridge adapter into the designated slot to customize your work light.

Fig. 6

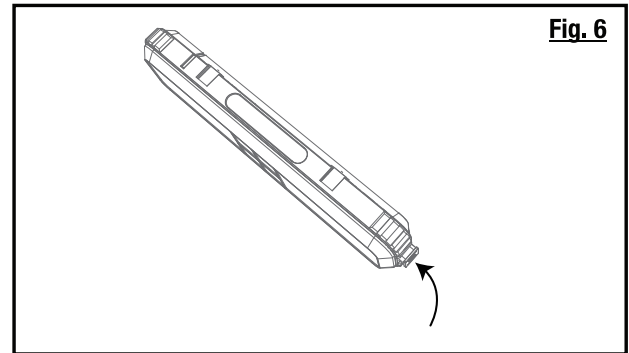
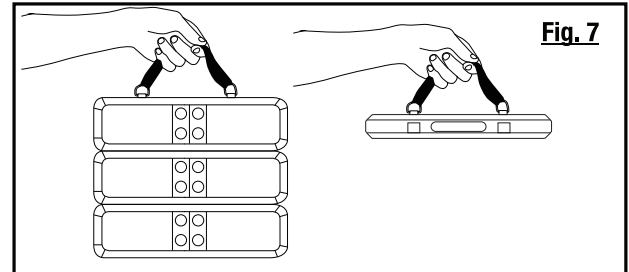


Fig. 7



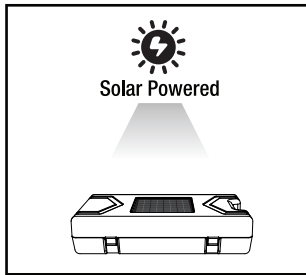
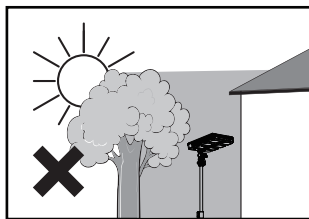
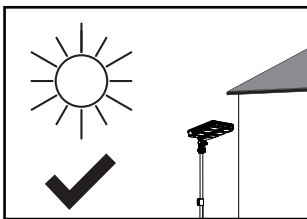
NOTE: Screw in the ends of the portable hanging rope into the threaded side of the bridge adapter.

IMPORTANT: For the best results, select a location with full and direct sunlight. If installed in a shady area, the battery may not fully charge, resulting in the reduction of working hours.

- Light bar charging indicator LED will flash green when charging and turn solid green when fully charged.
- Master charging station indicator LED will be red when solar charging and orange when using USB charging.
- Light bar will flash when battery is low.

1 Solar Panel Charging

- Secure the tripod via stakes or tripod stone bag. Using both methods is recommended.
- Loosen the locking knob of the adjustable neck.
- Adjust the solar panel to the best angle for full and direct sunlight.

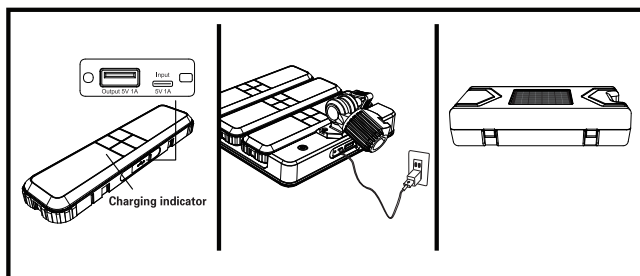


NOTE: For optimal charging, adjust the solar panel angle periodically to follow the sun. For your convenience, you can use the clear window from the carrying case for solar charging.

2 USB-C Charging

IMPORTANT: Light bars can be charged individually, or as a group on the master charging station, when using USB-C charging. The rechargeable batteries are enclosed in the light bar. The master charging station does not contain batteries.

- Plug in the USB power adapter into a wall outlet.
- Plug in the USB-C cable into the USB port of the light bar if charging individually.
- Plug in the USB-C cable into the USB port of the master charging station if charging one or more light bars.

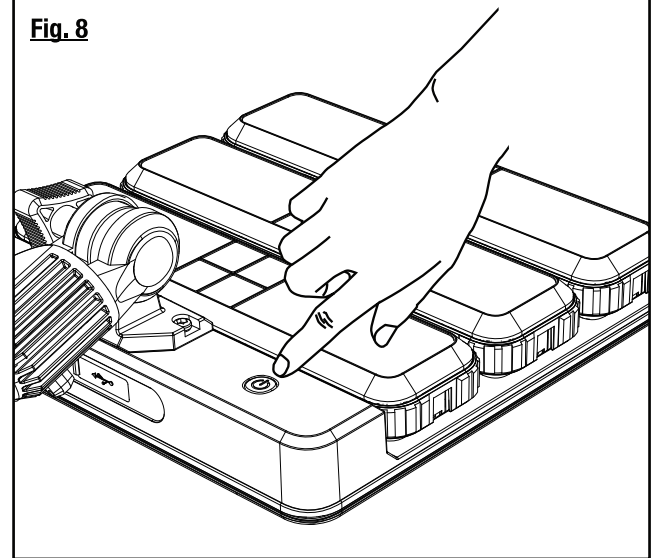


1 Change Light Settings

Brightness settings

- Press and hold Power button for 2 seconds for low side lights.
- Press again for Medium side lights
- Press again for High Side lights
- Press again for Center Light
- Press once more for all lights

Fig. 8



Activating SOS mode

Double tap the power button to trigger SOS mode. The center light will begin to flash.

Fig. 9

