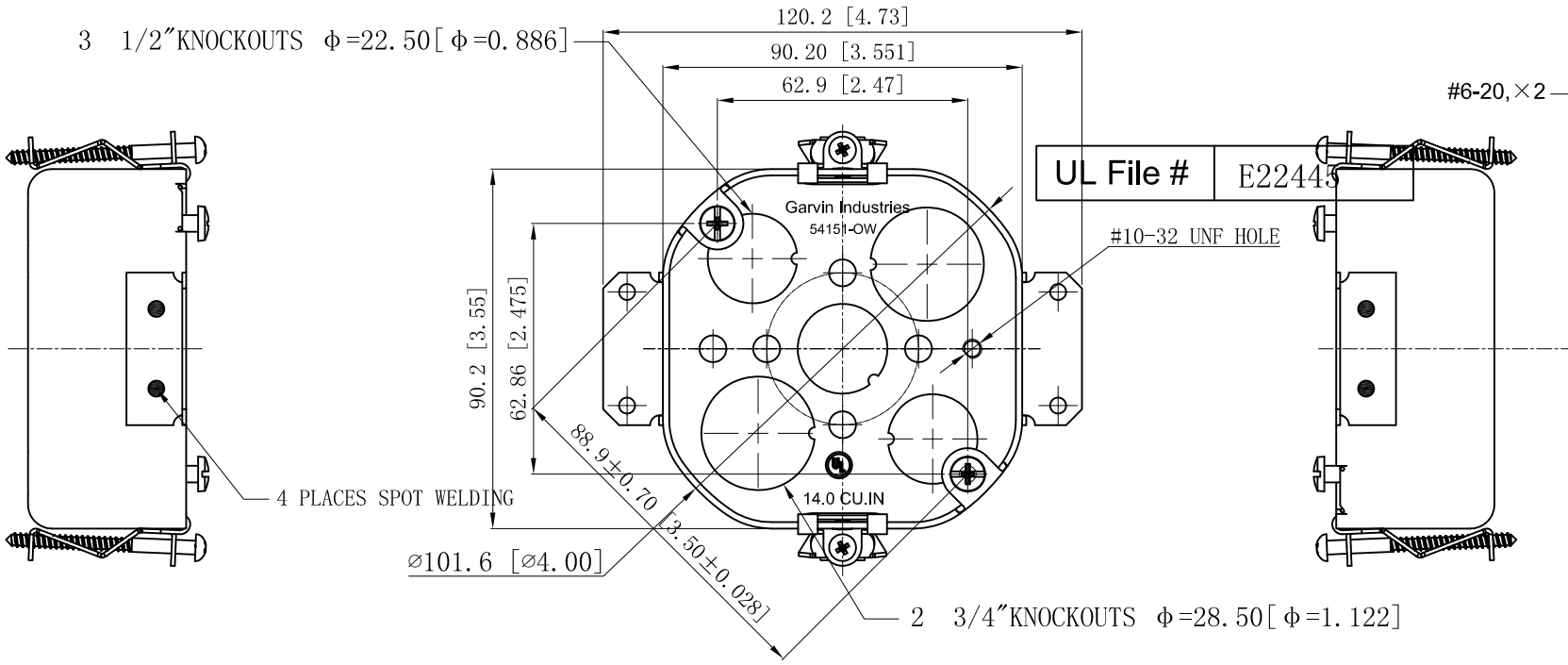
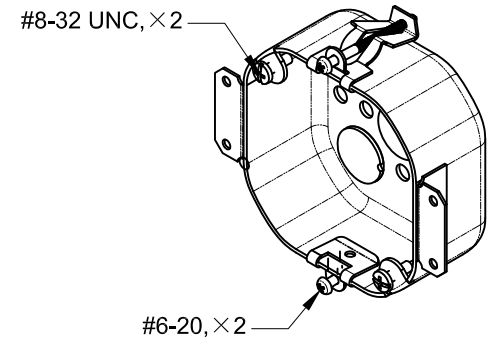
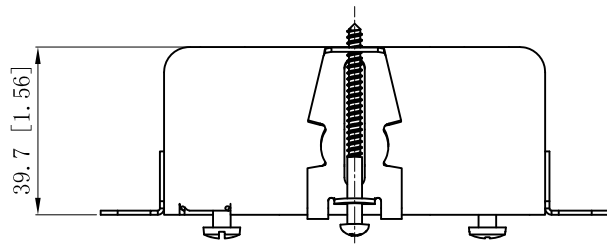


SIDES	BOTTOM
	3 1/2" KNOCKOUTS
	2 3/4" KNOCKOUTS
2 Pcs #8-32x1/2" screw install	
2 Pcs #6-20x1-7/8" screw install	
Material: Steel-0.0625"-G60 Galvanized	



UL File # E22445

This data sheet is for reference only. GARVIN INDUSTRIES reserves the right to make changes to the design without prior notice.

DESCRIPTION
TRADE REFERENCE TERMS

STANDARD PACKING	GARVIN INDUSTRIES		
	4" OCTAGON BOXES 1-1/2" DEEP		
50 PCS	TITLE	54151-OW	
	SIZE	DWG NO.	REV
	A4		A
DATA SHEET			