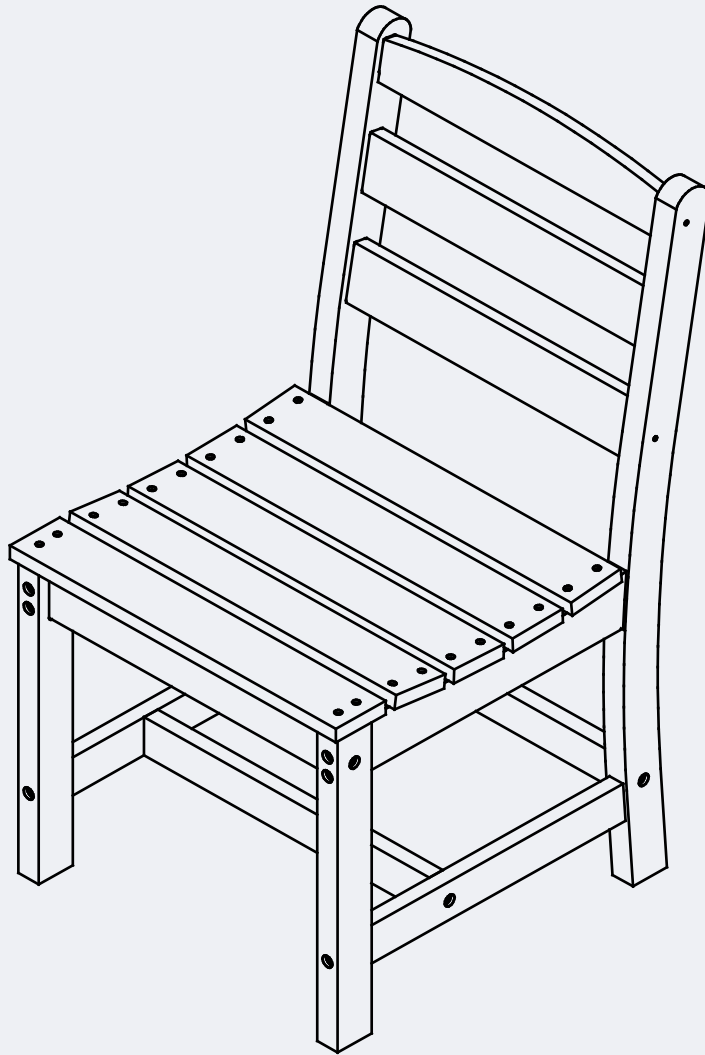


# INSTRUCTION MANUAL



Patio Dining Side Chair

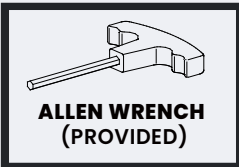
V1.0

## ! CARE & MAINTENANCE

### Please keep this instruction for your future reference.

- Be careful when assembly, avoid hurting the top surface.
- Clean the table with lukewarm water, mild detergent & soft cloth.
- Firmly secure all bolts before use, do not use any part of this item as a step ladder.
- Reconfirm that all bolts, screws, and nuts are secure every 90 days.
- Do not use or store this item in the proximity of open flame or flammable/combustible chemicals.
- Be aware that some parts are heavy and have sharp edges.
- Do not overtighten screws. (Insert all screws before tighten screws.)
- Please do not exceed the weight limitations of this item.

## TOOLS REQUIRED



**CHAIR  
300 LBS  
CAPACITY**



## HARDWARE

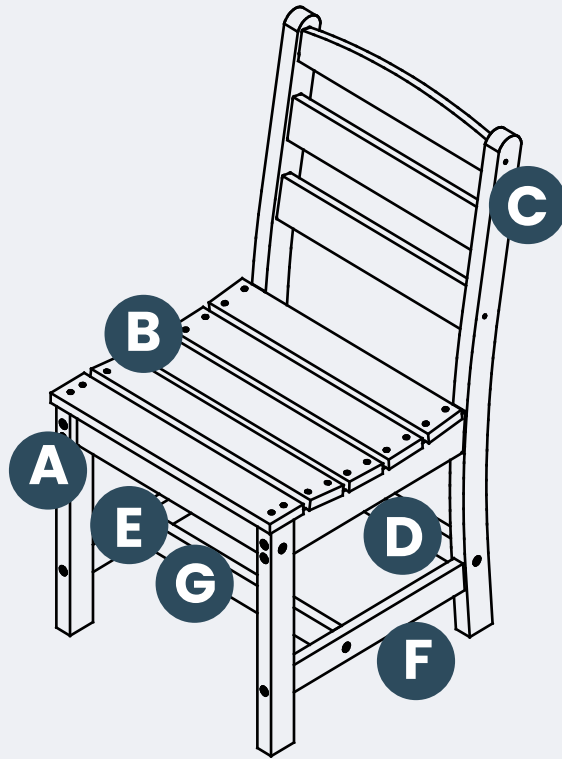
<b>1</b> <b>SCREW</b> M6.3 x 45mm  2 PCS	<b>2</b> <b>SCREW</b> M6.3 x 60mm  2 PCS	<b>3</b> <b>SCREW</b> M6.3 x 80mm  12 PCS	<b>4</b> <b>ALLEN WRENCH</b>  1 PC
--	--	---	---

## PARTS

<b>A</b> <b>FRONT LEG</b>  1 PC	<b>B</b> <b>SEAT BOARD</b>  1 PC	<b>C</b> <b>CHAIR BACK</b>  1 PC	<b>D</b> <b>BACK RAIL</b>  1 PC
<b>E</b> <b>RIGHT SIDE RAIL</b>  1 PC	<b>F</b> <b>LEFT SIDE RAIL</b>  1 PC	<b>G</b> <b>CONNECT RAIL</b>  1 PC	

## PRODUCT ASSEMBLY - OVERALL VIEW

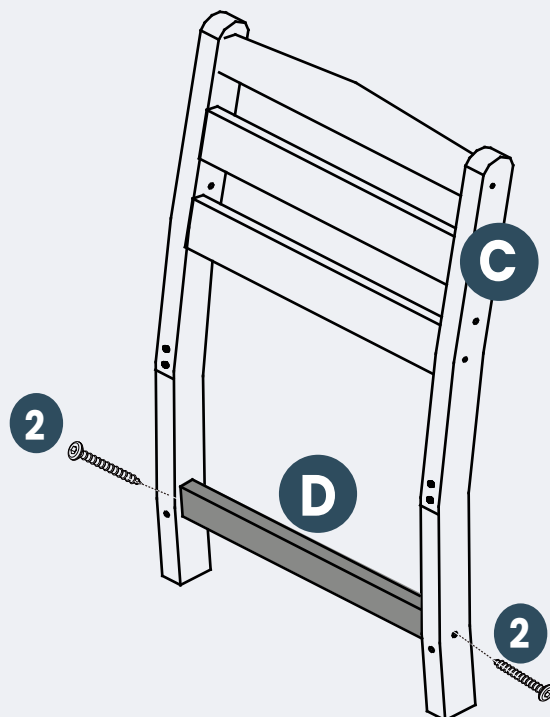
Look at following overall view of this chair and learn the exact position of each parts to be assembled.



## PRODUCT ASSEMBLY

1

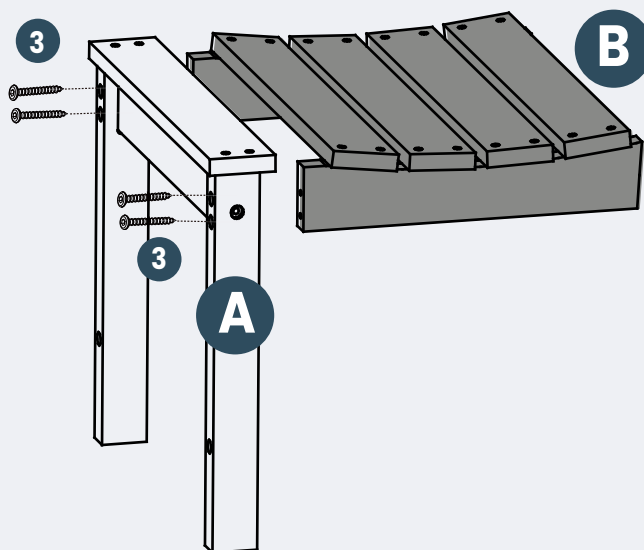
Loosely attach **Part D Back Rail** to **Part C Chair Back** with 2 pcs of **Hardware #2 Screw**.



## PRODUCT ASSEMBLY

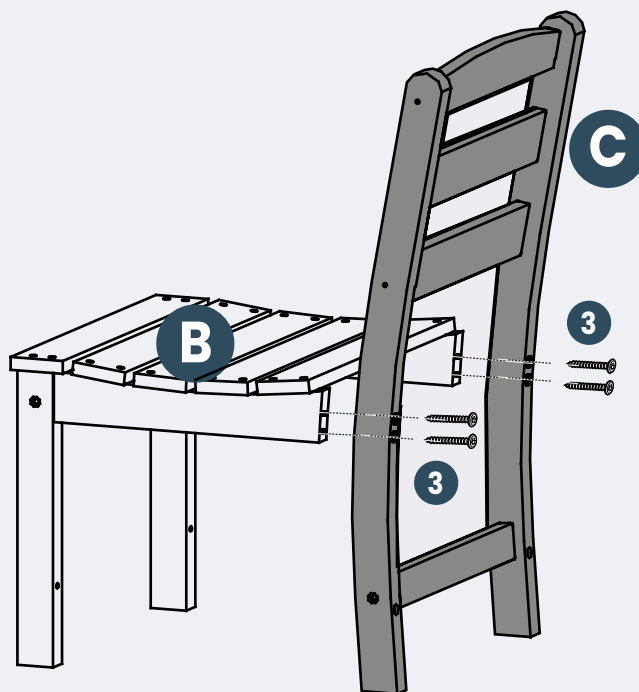
2

Loosely attach **Part B Seat Board** to **Part A Front Leg** with 4 pcs of **Hardware #3 Screw**.



3

Loosely attach **Part C Chair Back** to **Part B Seat board** with 4 pcs of **Hardware #3 Screw**.

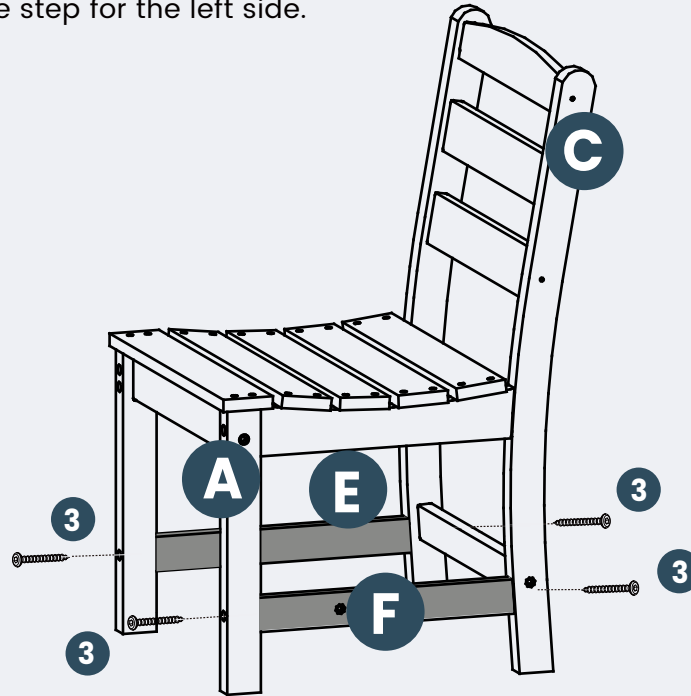


## PRODUCT ASSEMBLY

4

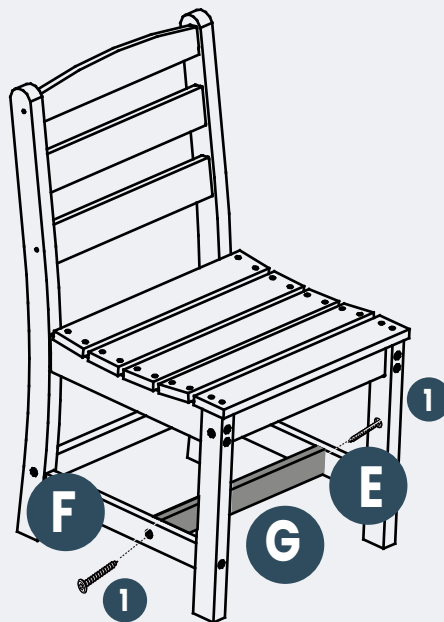
Loosely attach **Part E Right Side Rails** between **Part A Front Leg** and **Part C Chair Back** with 2 pcs of **Hardware #3 Screw**.

Do the same step for the left side.



5

Loosely attach **Part G Connect Rail** between **Part E Right Side Rail** and **Part F Left Side Rail** with 2 pcs of **Hardware #1 Screw**.

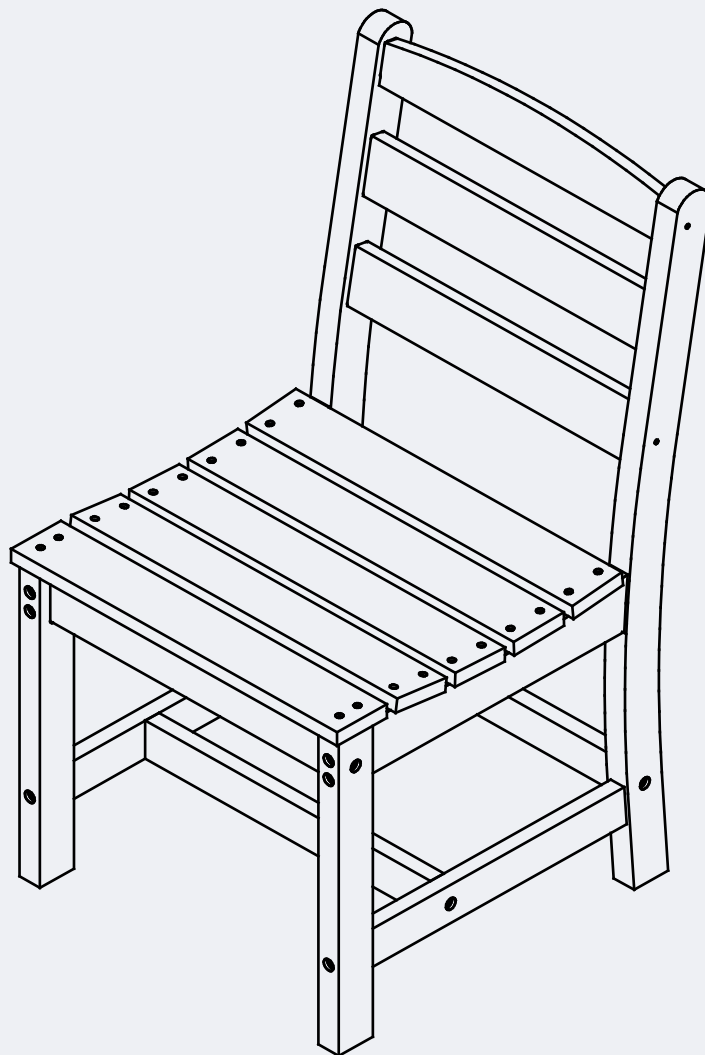


## PRODUCT ASSEMBLY

**6**

Tighten all the screws when all the parts are loosely attached.

Adjust the chair and enjoy it now.



---

## CLEANING TIPS

**REGULAR CLEAN:** Use a mixture of warm water and mild soap. Gently scrub the surface with a soft bristle brush to remove any dirt or stains.

**QUICK CLEAN:** You can simply wipe down the furniture with a damp cloth.

Regular cleaning not only preserves the aesthetic appeal of your furniture, but also helps extend its lifespan.