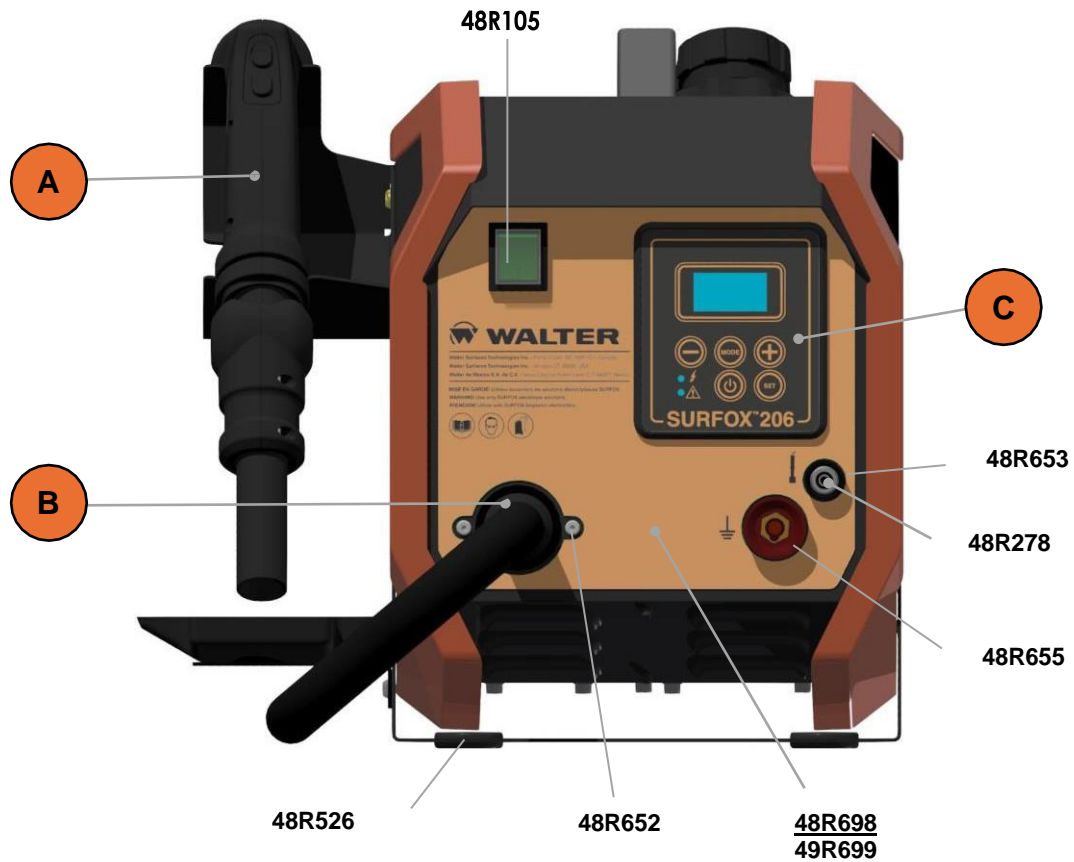




SURFOX™ 206

Spare parts list



A = COMPLETE TORCH (see page 10, 11,12,13,14)

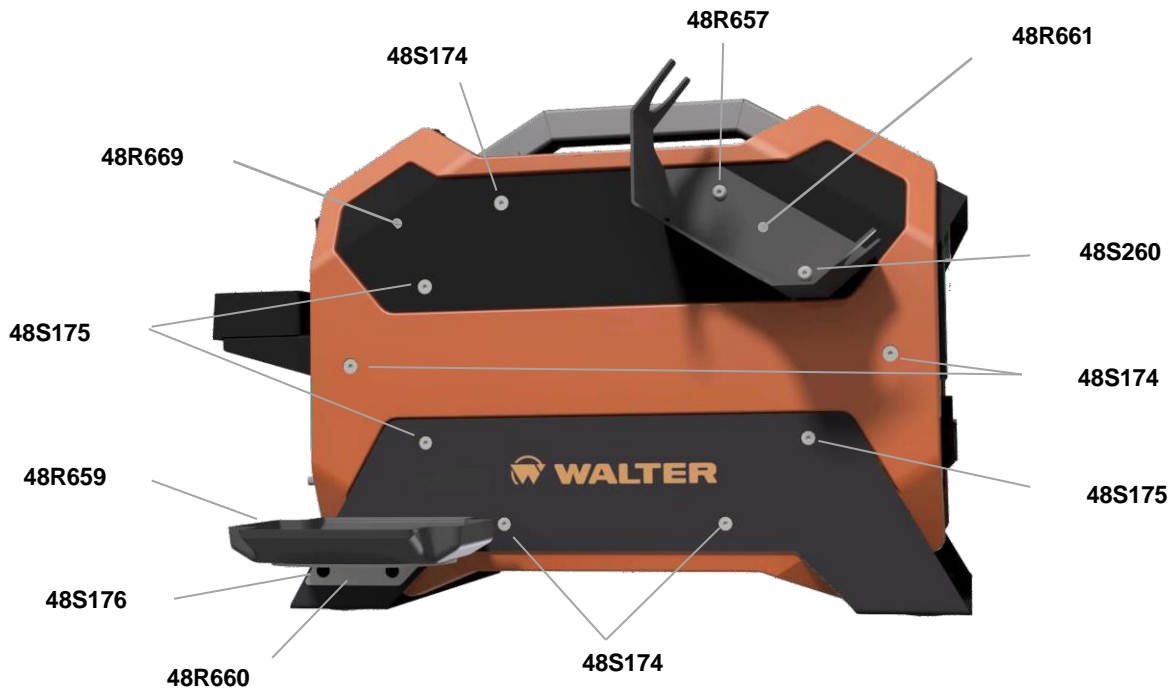
B = TORCH CONNECTION (see page 15)

C = CONTROL PANEL GROUP (see page 16)

WT Code	Description
48R105	MAIN POWER SWITCH
48R278	PESA NERA PER CAVO ALIMENTAZIONE TORCIA POWER OUTLET (BLACK)
48R698	FRONT STICKER S206 – USA/CAN
48R699	FRONT STICKER S206 - BRA
48R652	BURNISHED SCREW TBEI M4x30
48R653	PVC BUSH
48R526	PVC BLACK GROMMET
48R655	RED GROUND CONNECTOR



WT Code	Description
48R523	SCREEN-PRINTED BASE (S205/206/305/306)
48S174	BURNISHED SCREW TSEI M5x25
48S175	BURNISHED SCREW TSEI M5x8
48R721	SURFOX 206 LATERAL PANEL
48R524	COMPLETE ORANGE SIDE-PANEL

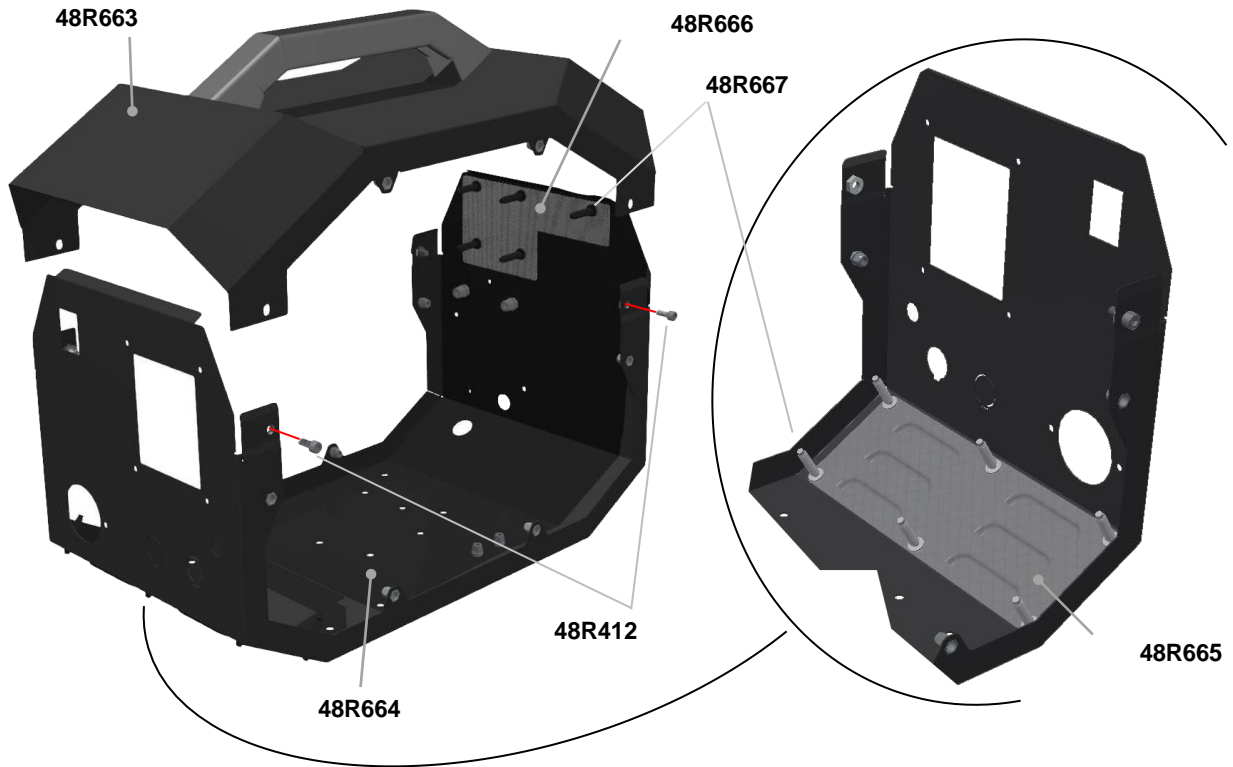


WT Code	Description
48S174	BURNISHED SCREW TSEI M5x25
48S175	BURNISHED SCREW TSEI M5x8
48S176	BURNISHED SCREW TBEI M5x8
48S260	BURNISHED SCREW TBEI M5x10
48R657	BURNISHED SCREW TBEI M5x25
48R669	BLACK LATERAL PANEL WITH 4 HOLES
48R659	PLASTIC BOWL
48R660	PLASTIC BOWL BRACKET S206/306
48R661	TORCH HOLDER S206/306

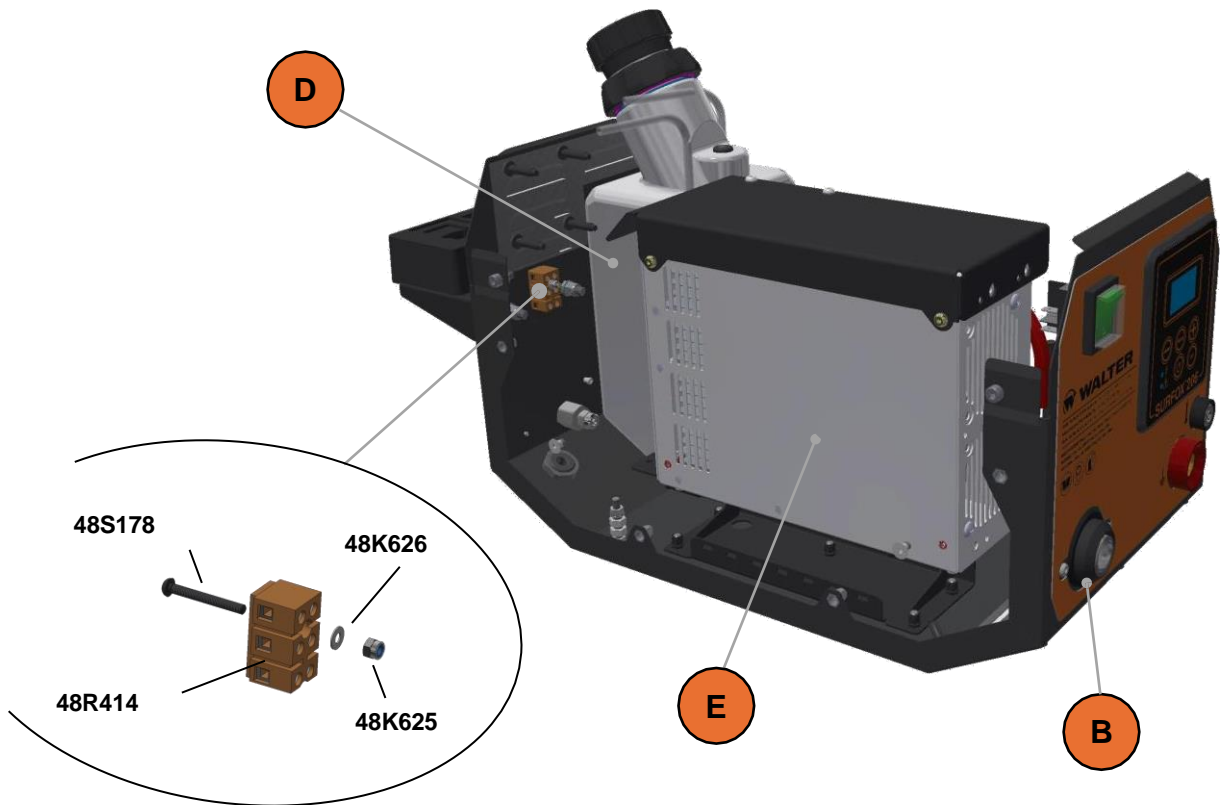


D = ACID TANK GROUP (see page 17)

WT Code	Description
48S270	TBPH 3,5x20 SCRE
48R106	STRAIN RELIEF CONNECTOR
48R662	SUPPLY CABLE (230V) – BRASIL
48Z206	SUPPLY CABLE (USA-J-CA 100 – 120 Volt)
48R385	AIR CONNECTION (CAN/USA)
48R388	FINAL TERM. WITH SLEEVE FOR TUBE
48S257	BURNISHED SCREW TBEI M6x20
48R464	PAD INSTALLATION TOOL
48R575	PAD MOUNT TOOL HOLDER
48R528	CYLINDRICAL EXTENSION CABLE M/F GAS1/4

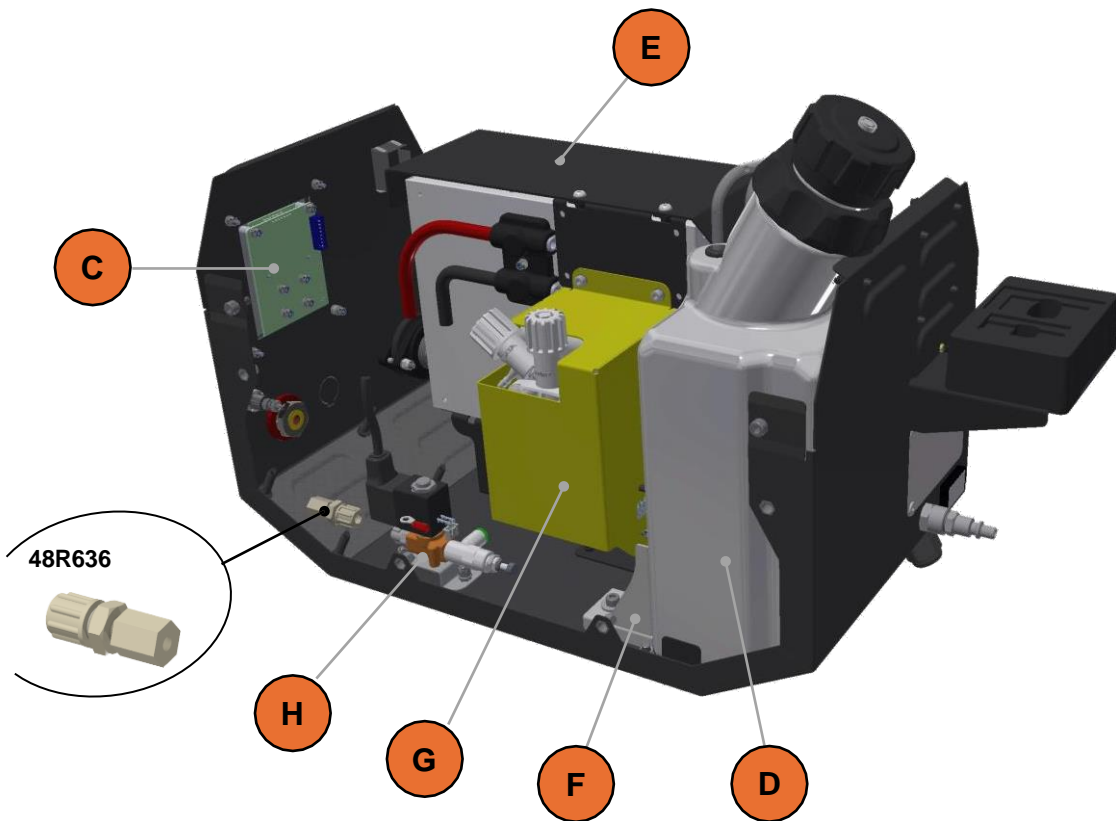


WT Code	Description
48R663	UPPER CHASSIS WITH HANDLE (S205/206/305/306)
48R664	LOWER CHASSIS (S206/306)
48R665	STAINLESS STEEL FRONT FILTER
48R666	STAINLESS STEEL REAR FILTER
48R412	STAINLESS STEEL SCREW TCEI M5x12
48R667	RUBBER RETAINER



B = TORCH CONNECTION (see page 15)
D = ACID TANK GROUP (see page 17)
E = INVERTER BOARD GROUP (see page 18)

WT Code	Description
48K625	SELF-LOCKING NUT STAINLESS STEEL M3
48K626	STAINLESS STEEL WASHER D.3x6 mm
48S178	BURNISHED SCREW (TBEI M3x25)
48R414	WIRING BLOCK



- C** = CONTROL PANEL GROUP (see page 16)
- D** = ACID TANK GROUP (see page 17)
- E** = INVERTER BOARD GROUP (see page 18)
- F** = LEVEL SENSOR GROUP (see page 19)
- G** = PUMP GROUP (see page 20)
- H** = SOLENOID VALVE GROUP (see page 21)

WT Code	Description
48R636	Ø6x4 PP JUNCTION

A



WALTER SURFOX 206Spare parts list – R00 - 03-2024

WT Code	Description
48R568	COMPLETE BLOWING TORCH - L. 4m
48R113	O-RING 3x1mm I.D.
48S530	STAINLESS STEEL SET SCREW M5X6
48R174	CORPO PUNTA ISOLATO INSERT HOLDER
48R175	O-RING 16x1
48R365	FP21 TUBE (L. 4 m)
48R421	STAINLESS STEEL SCREW TCEI 3x12
48R539	STICKER SET LEFT/RIGHT HANDLE
48R509	HANDGRIP HALF-SHELL LEFT
48R508	HANDGRIP HALF-SHELL RIGHT
48R517	JUNCTION RIGHT
48R518	INTERNAL JUNCTION LEFT
48R519	EXTERNAL JUNCTION RIGHT
48R520	EXTERNAL JUNCTION LEFT
48R507	FUME ELIMINATION SLEEVE
48S179	TBEI SCREW M5x8 WITH FLANGE (ISO 7380)
48S180	SELF-TAPPING SCREW 2.9x 6.5 UNI 6954

A1 = 48R516 - COMPLETE CENTRAL BODY WITH VALVES (see page xx)

A

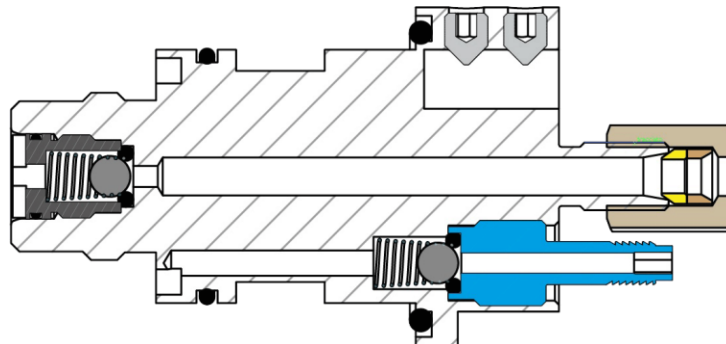
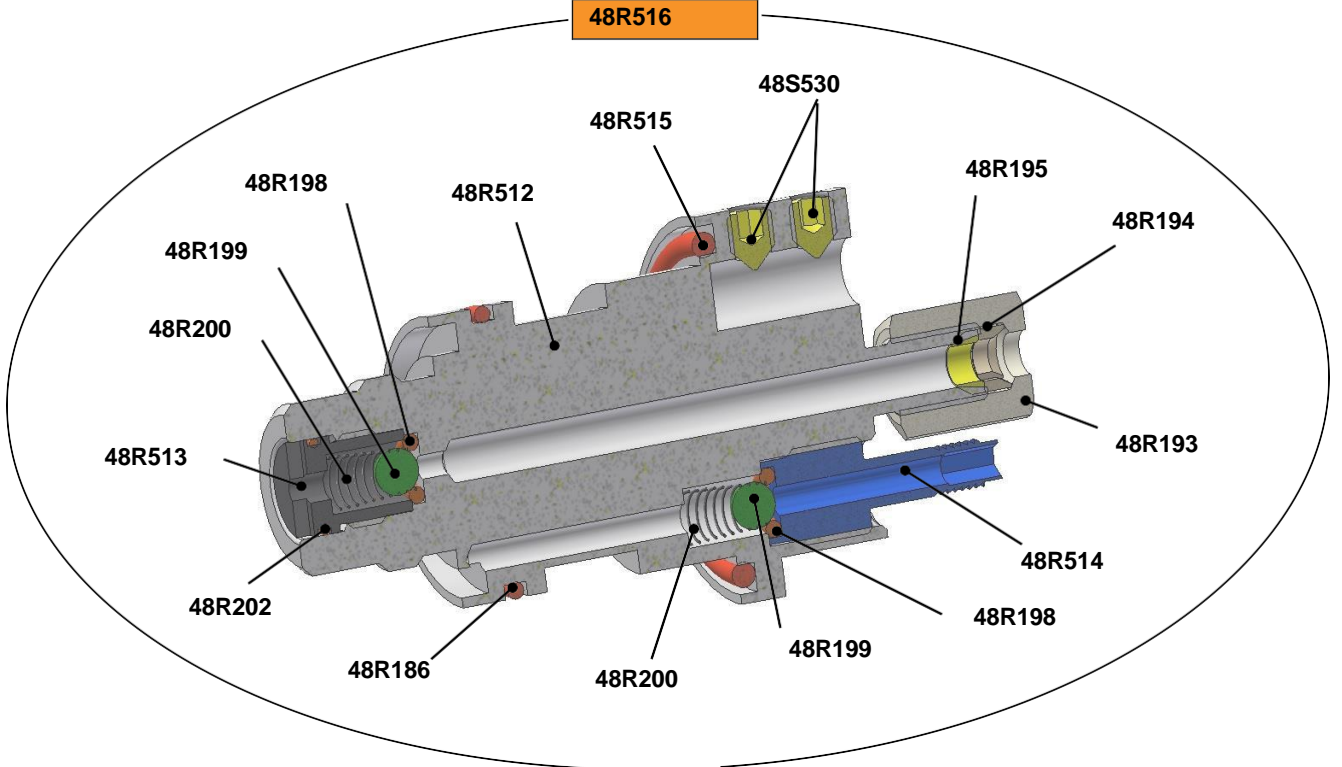


WT Code	Description
48R568	COMPLETE BLOWING TORCH - L. 4m
48R510	START/STOP CABLING – L. 5 m
48R329	2x4 PTFE TUBE L. 4,8 m
48R364	4x6 PE TUBE L. 4,8 m
48R505	AWG8 CABLE WITH ELECTRICAL CONTACT L. 4,8 m
48R511	MICROSWITCH

A1

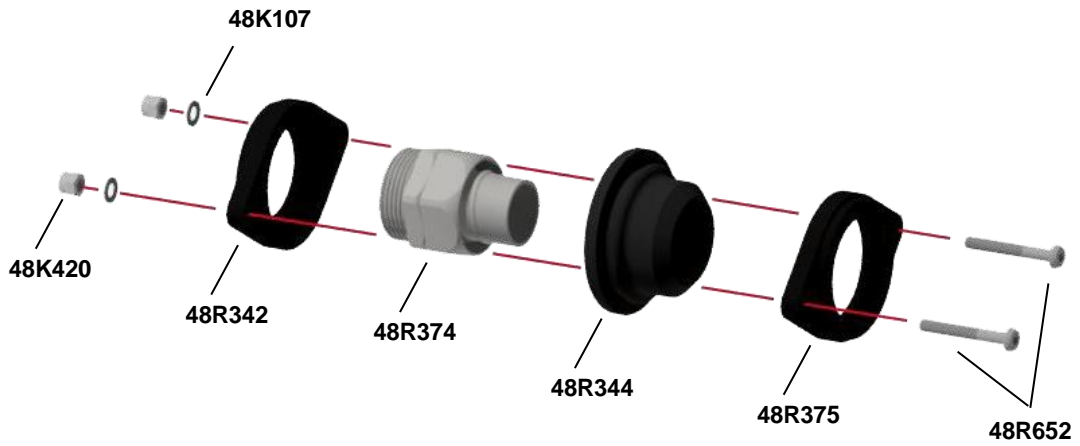


48R516

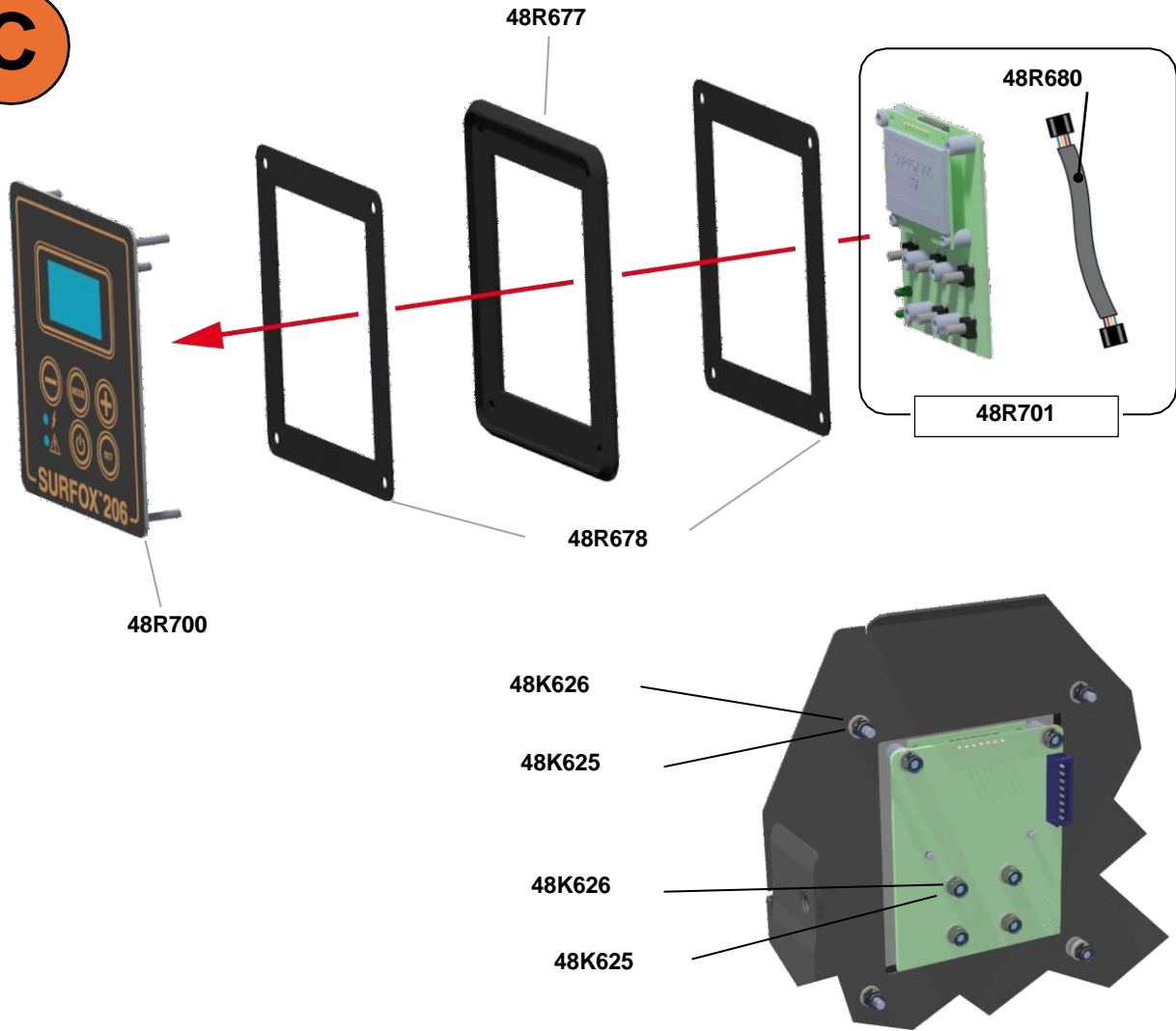


WALTER SURFOX 206Spare parts list – R00 - 03-2024

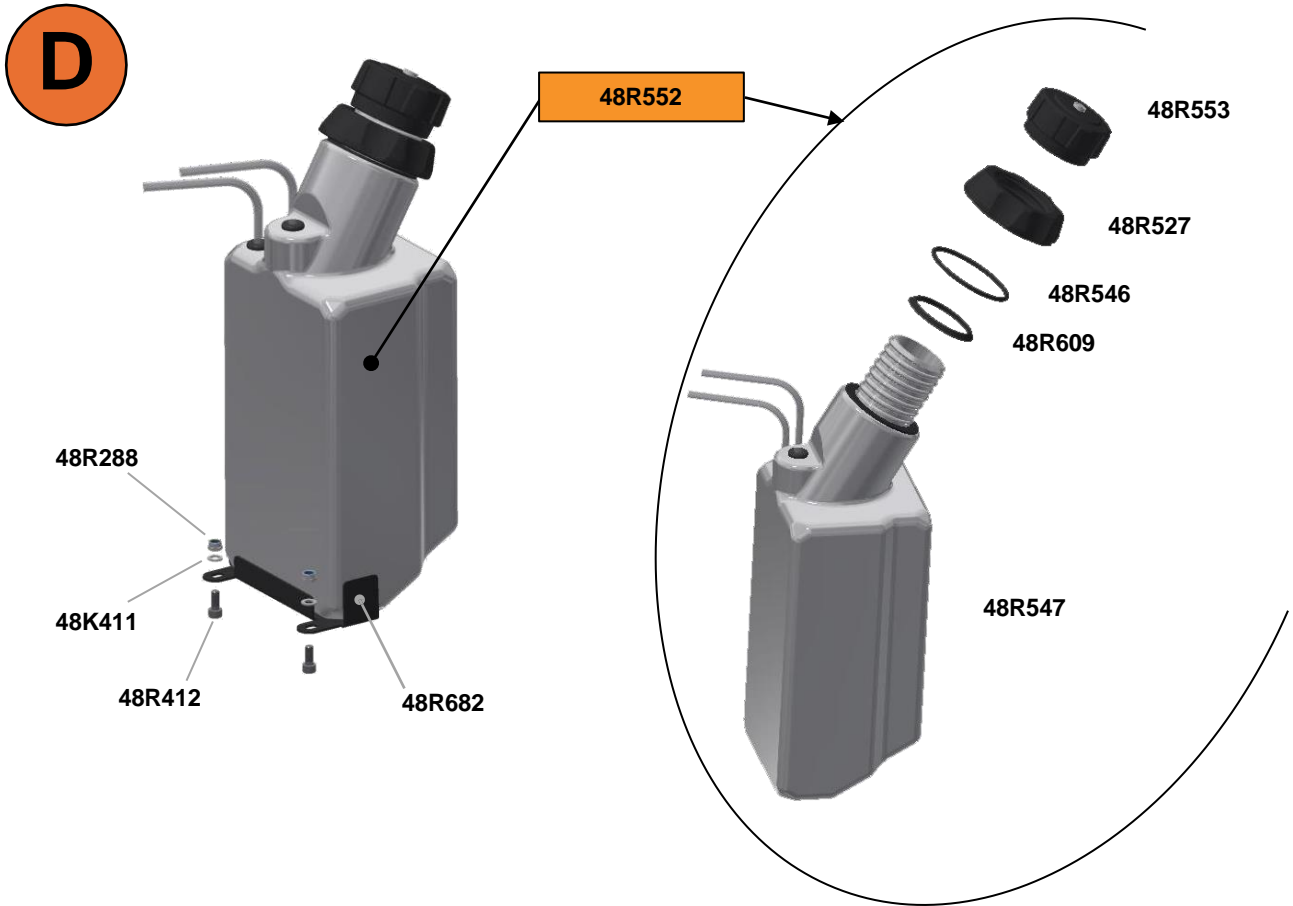
WT Code	Description
48R568	COMPLETE BLOWING TORCH - L. 4m
48R516	COMPLETE CENTRAL BODY WITH VALVES
48S530	STAINLESS STEEL SET SCREW M5X6
48R186	O-RING 2106 26,7x1,78 FKM
48R193	INLET FITTING
48R194	SPLIT SLEEVE
48R195	TAPERED SLEEVE
48R198	O-RING 2015 3,69x1,78 FKM
48R199	FKM BALL D4.7
48R200	SPRING 0.3X9.5 AISI 316
48R202	O-RING 0080 - 8x1 FKM
48R513	VALVE COVER - BLOWING PIPE
48R512	CENTRAL BODY - ELECTRODE
48R514	CONNECTOR AIR PIPE D.6x4
48R515	O-RING 3125 - 31.42x2.62 FKM



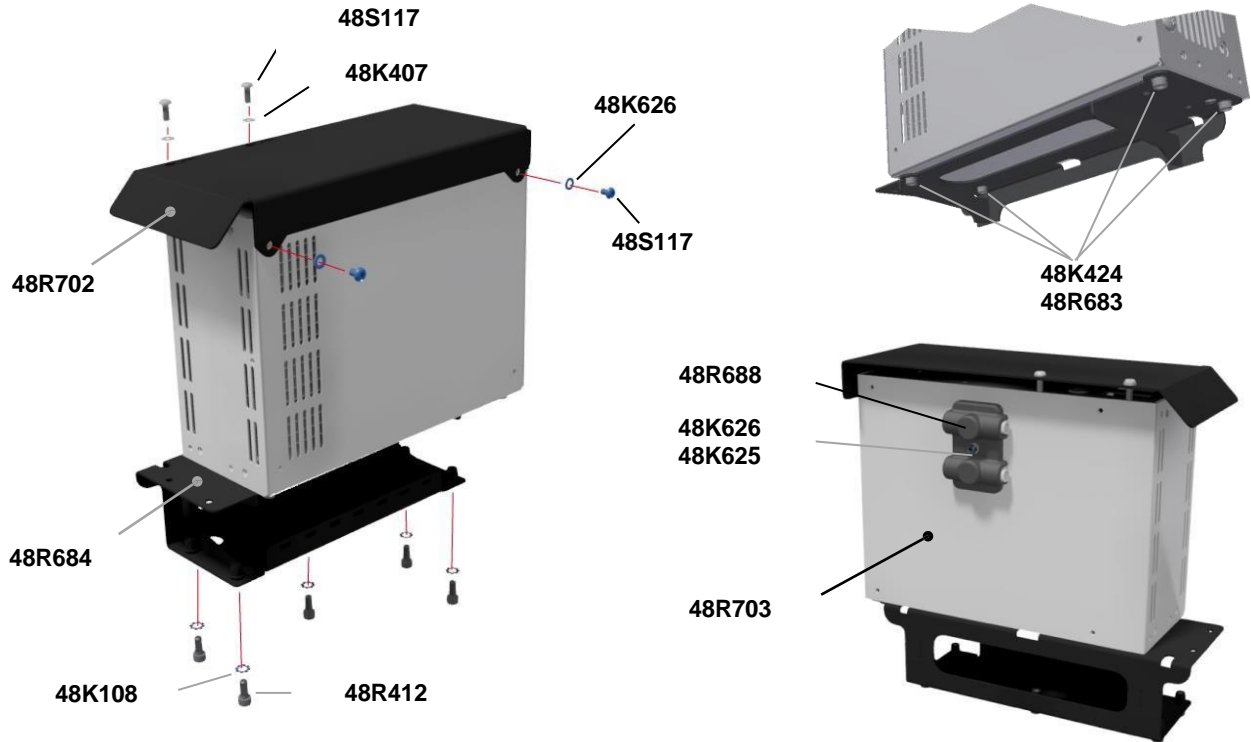
WT Code	Description
48K107	STAINLESS STEEL WASHER D.4x8 mm
48K420	SELF-LOCKING NUT M4
48R342	COVER WITH HOLE D.28
48R374	REVOLVING CONNECTOR FOR FP21
48R344	RUBBER SLEEVE D.38
48R375	COVER WITH HOLE D.32
48R652	BURNISHED SCREW (TBEI M4x30)



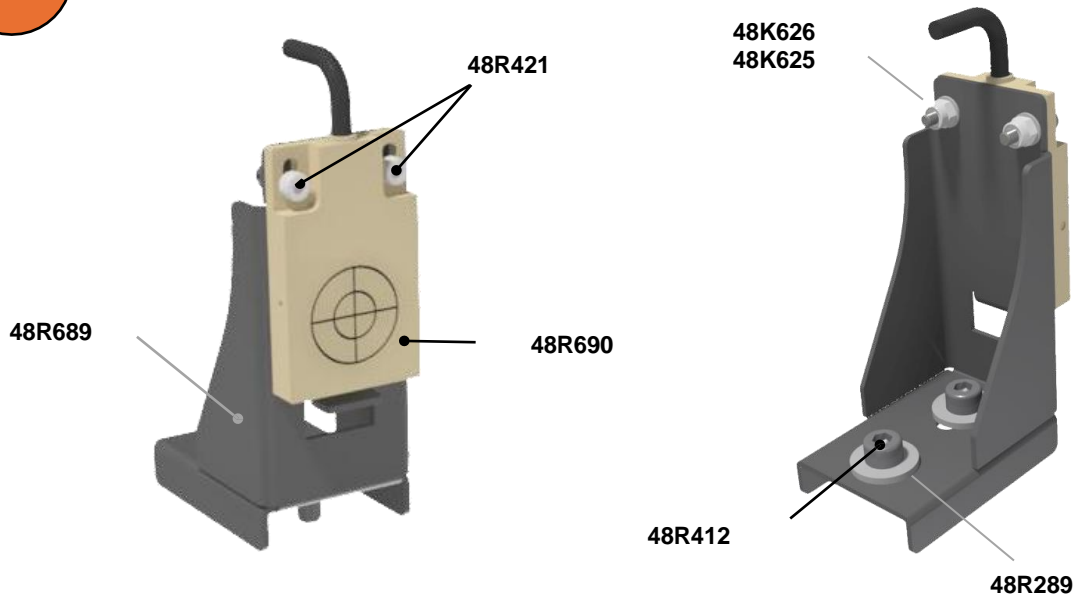
WT Code	Description
48K625	SELF-LOCKING NUT STAINLESS STEEL M3
48K626	STAINLESS STEEL WASHER D.3x6 mm
48R677	PLASTIC FRAME FOR CONTROL BOARD
48R678	102x90x1,5 mm SEAL
48R700	S206 - FRONT PANEL WITH KEYBOARD
48R680	INVERTER / CONTROL PANEL CONNECTION CABLE
48R701	206 CONTROL PANEL BOARD WITH DISPLAY + CABLE



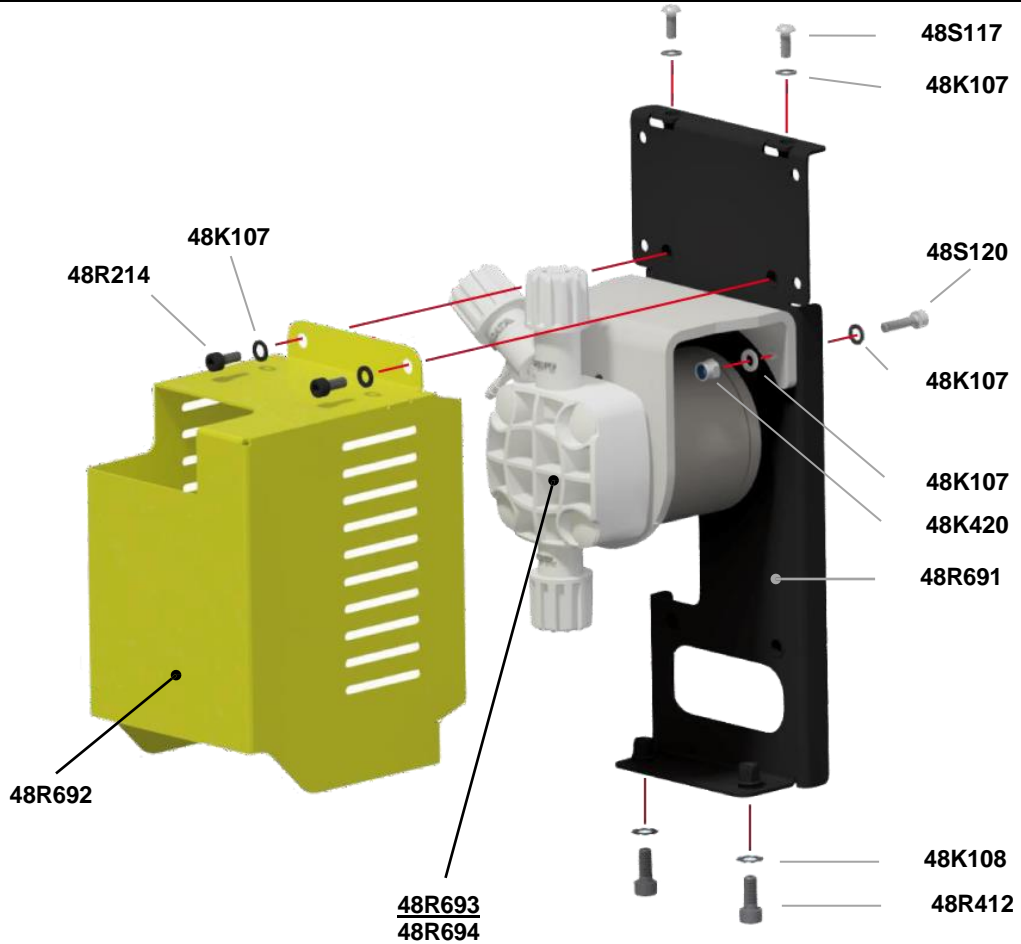
WT Code	Description
48R288	STAINLESS STEEL NUT M5
48K111	STAINLESS STEEL WASHER D.5X10 mm
48R682	TANK HOLDER
48R412	STAINLESS STEEL SCREW M5x12
48R552	COMPLETE 2L TANK (S205/206/305/306)
48R546	FKM O-RING 159 - 62.62X55.56 THREAD 3.5
48R527	RING NUT FOR TANK
48R547	2L TANK WITH FEEDTHROUGH AND TUBES
48R609	TANK GASKET (TRIANGULAR SECTION)
48R553	COMPLETE CAP FOR 2L TANK



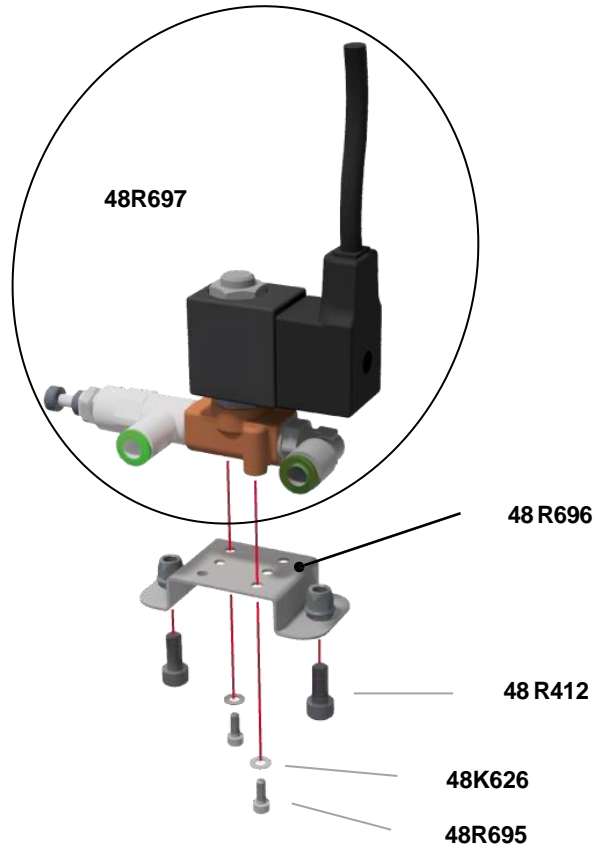
WT Code	Description
48K625	SELF-LOCKING NUT STAINLESS STEEL M3
48S117	STAINLESS STEEL SCREW TBEI M4x10
48K424	NOTCHED WASHER D.4x8 mm
48K107	STAINLESS STEEL WASHER M4x8 mm
48K108	NOTCHED WASHER D.5x10 mm
48R683	STAINLESS STEEL SCREW TCEI M4x8
48K626	STAINLESS STEEL WASHER D.3x6 mm
48R684	NG10/NG15 INVERTER BOARD HOLDER
48R702	NG15 PROTECTIVE COVER
48R703	INVERTER NG15/50A + PUMP DRIVER
48R412	STAINLESS STEEL SCREW TCEI M5x12
48R687	STAINLESS STEEL SCREW TBEI M4x6
48R688	CONNECTIONS PLASTIC COVER



WT Code	Description
48K625	SELF-LOCKING NUT STAINLESS STEEL M3
48R289	STAINLESS STEEL WHASER D.5x15 mm
48K626	STAINLESS STEEL WASHER D.3x6 mm
48R421	STAINLESS STEEL SCREW M3x12
48R689	LEVEL SENSOR HOLDER (S205/206/305/306)
48R690	LEVEL SENSOR S206/S306
48R412	STAINLESS STEEL SCREW M5x12



WT Code	Description
48S120	STAINLESS STEEL SCREW M4x16
48S117	STAINLESS STEEL SCREW TBEI M4X10
48K107	STAINLESS STEEL WASHER D.4x8 mm
48K108	NOTCHED WASHER D.5x10 mm
48K420	SELF-LOCKING NUT M4
48R214	STAINLESS STEEL SCREW M4x10
48R691	PUMP HOLDER S206/S306
48R692	PUMP PROTECTION COVER S206/S306
48R693	110V PUMP WITH CONNECTOR S206/S306
48R694	230V PUMP WITH CONNECTOR S206/S306
48R412	STAINLESS STEEL SCREW M5x12



WT Code	Description
48K626	STAINLESS STEEL WASHER D.3x6 mm
48R695	STAINLESS STEEL SCREW TCEI M3x8
48R696	SOLENOID HOLDER (S206/306)
48R697	24V SOLENOID KIT – S206/306
48R412	STAINLESS STEEL SCREW TCEI M5x12

