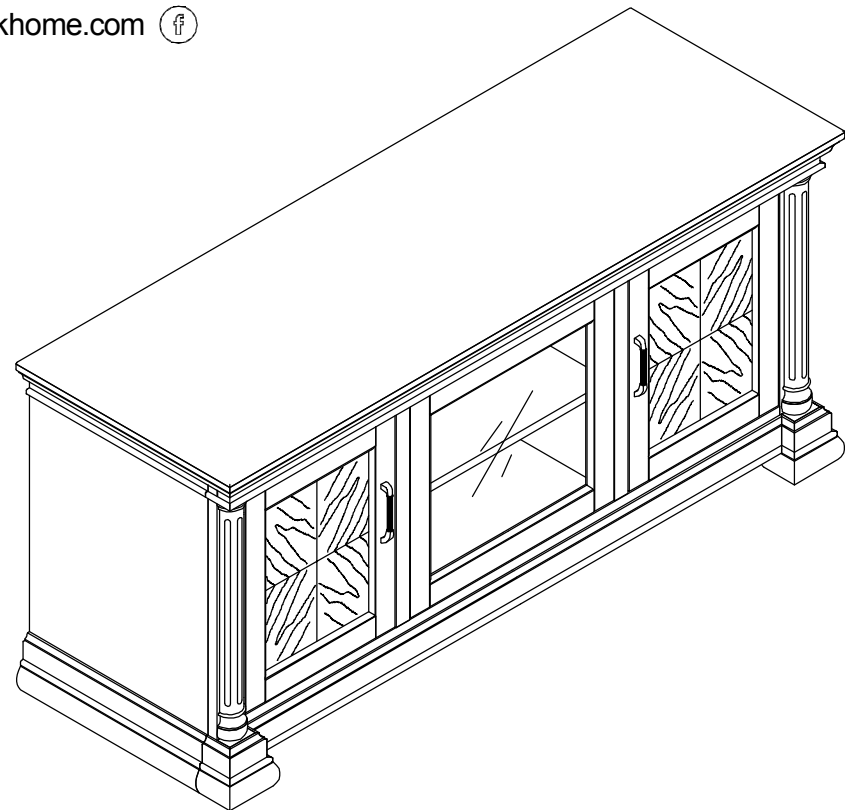


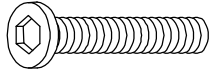
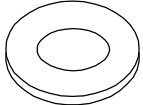

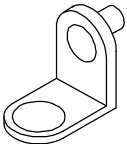

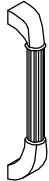
**ITEM #81650**  
**Corvino 54" TV Console**  
**with Glass Center Door**

**Hardware List**

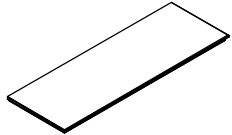
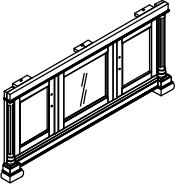

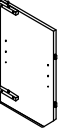
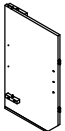
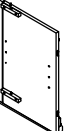
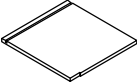
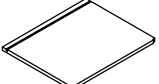
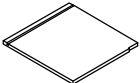
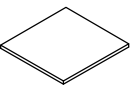
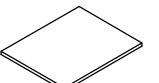
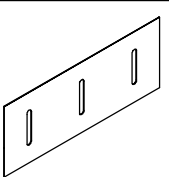
**Leick**  
**Home**  
SINCE 1910

2219 S. 19th St.  
 Sheboygan, WI 53081  
 Ph: 920-451-4060  
 Fax: 920-451-4063  
 info@leickhome.com  
 www.leickhome.com



Item	Hardware	Description	Quantity
1		Allen Bolt 1/4"x1-1/8"	7PCS
2		Flat Washer 1/4"x12mm	7PCS
3		Allen Wrench	1PC
4		Shelf Support	12PCS
5		Machine Screw 5/32"x7/8"	4PCS
6		Door Pull	2PCS

# Parts List

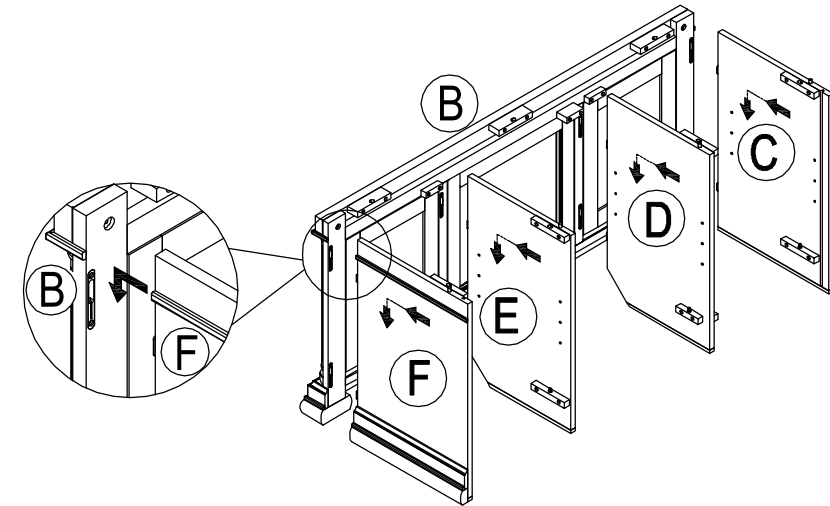
Item	Parts	Description	Quantity
A		Top Panel	1PC
B		Front Frame	1PC
C		Left Side Panel	1PC
D		Left Vertical Partition	1PC
E		Right Vertical Partition	1PC
F		Right Side Panel	1PC
G		Left Bottom Panel	1PC
H		Middle Bottom Panel	1PC
I		Right Bottom Panel	1PC
J		Side Adjustable Sheves	2PCS
K		Middle Adjustable Shelf	1PC
L		Back Panel	1PC

# Assembly Steps

*Two person assembly recommended.*

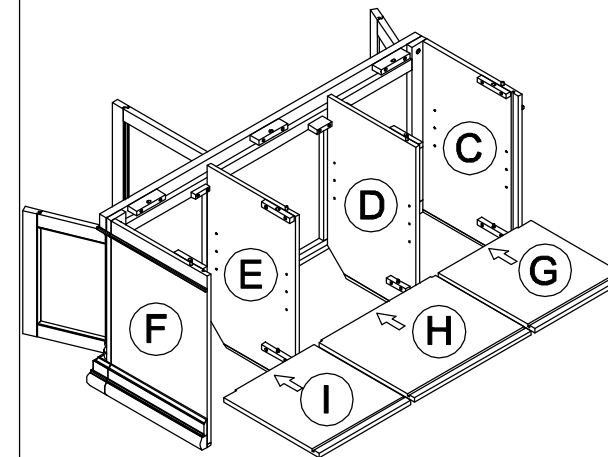
## Step 1

Insert the fastening hardware of side panel (F) onto the fastening hardware of front frame (B), push down the side panel (F) to make it tight. Do the same assembly step on parts (E & D & C).



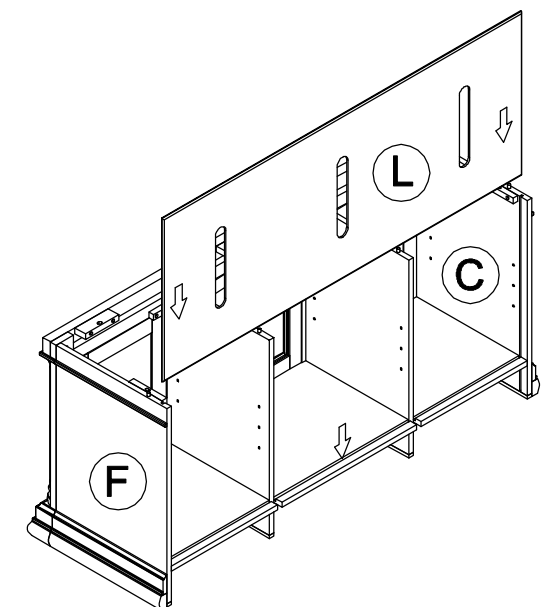
## Step 2

Open the doors and insert the bottom panels (H, I & G).



## Step 3

Slide the back panel (L) into cabinet side panels and bottom panels (C & F) grooves.

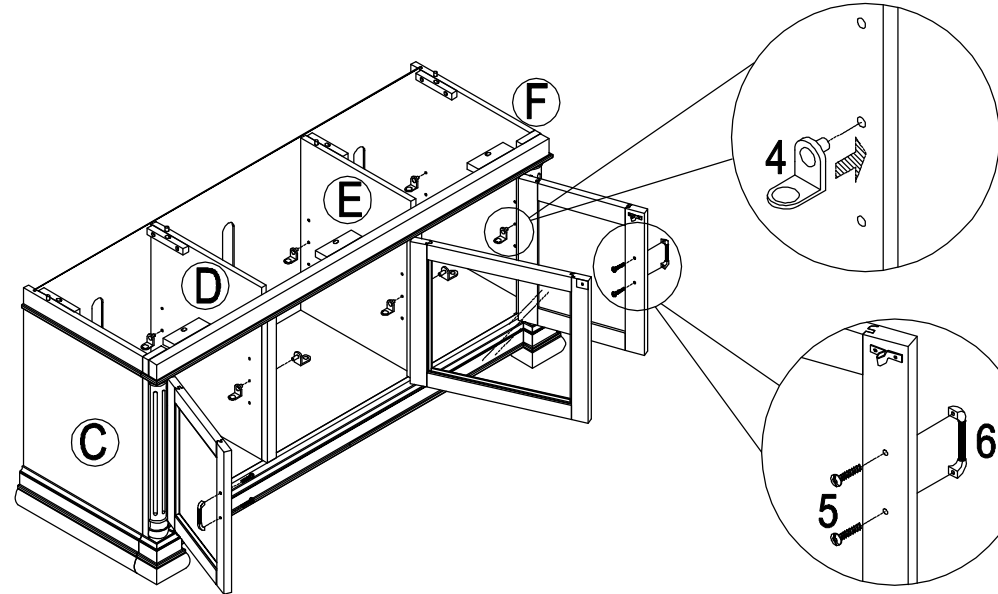


# Assembly Steps

*Two person assembly recommended.*

## Step 4

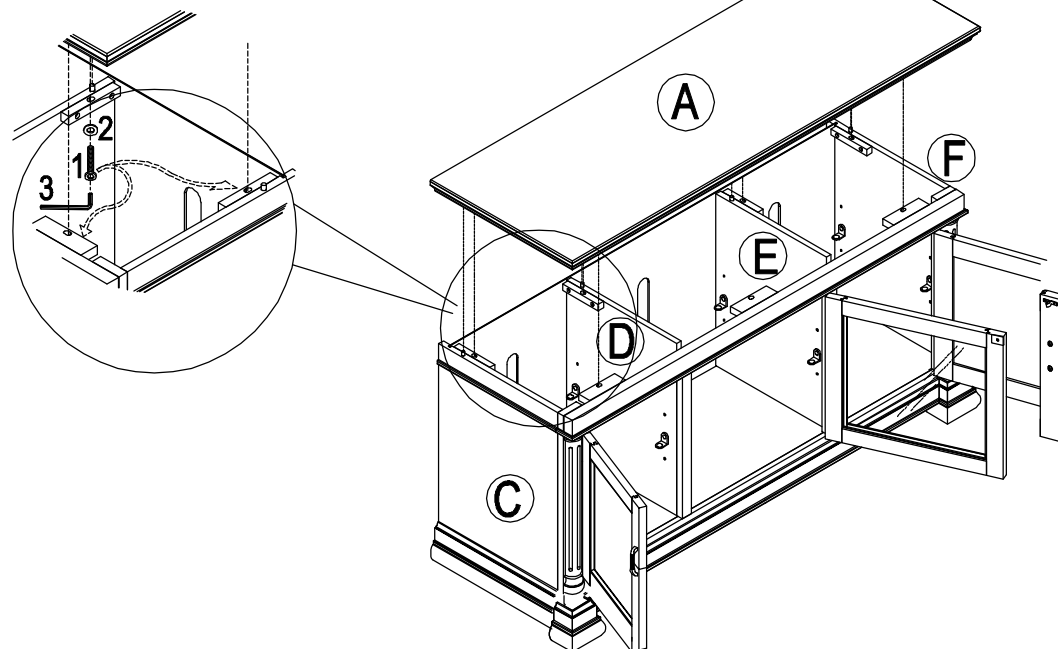
**4.1** Insert the shelf supports into the cabinet.



**4.2** Install the pulls on doors.

## Step 5

Place the Top Panel (A) on cabinet, make sure the back panel goes into top panel groove before fastening with Allen Bolts and Washers.



# Assembly Steps

*Two person assembly recommended.*

## Step 6

Place all shelves (J & K) on shelf supports.

