



# Assembly Instructions

**ITEM NO. D4128-15T**  
 GWENDOLYN ROUND DINING TABLE TOP & LAZY SUSAN

**ITEM NO. D4128-15B**  
 GWENDOLYN ROUND DINING TABLE BASE



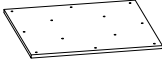


Thank you for purchasing this quality product. Be sure to check all packing materials carefully for small parts, which may have come loose inside the carton during shipment. Identify and count all items and compare with the PARTS LIST and/or HARDWARE LIST shown below.







Please read the instructions thoroughly before assembly.

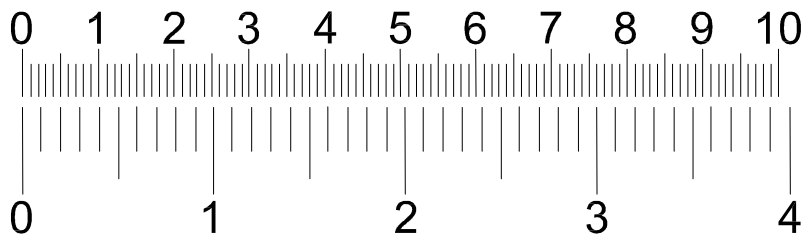
1. We recommend that you assemble this product with the assistance of another person; this will make the assembly easier, and will help eliminate damage to the product or injury to persons during assembly.
2. Please do not tighten screws or bolts until the assembly is completed.
3. To level the chairs or table, before tightening all the screws, the chairs or table must be placed on a flat surface and then tighten the screws.
4. Please put all parts on a non-abrasive floor before assembly and follow the assembly steps to assemble your newly purchased product correctly and efficiently.

## PARTS LIST

NO.	COMPONENT	SKETCH	QTY
A	TABLE TOP		1 PC
B	LAZY SUSAN		1 PC
C	MOUNTING PLATE		1 PC
D	LEG		1 PC
E	BASE		1 PC

## HARDWARE LIST

NO.	COMPONENT	SKETCH	QTY
1	FLAT WASHER 5/16" DIA.		16 PCS
2	SPRING WASHER 5/16" DIA.		16 PCS
3	BOLT 5/16" x 1 3/8"		16 PCS
4	ALLEN KEY 5/32"		1 PC



# Assembly Instructions

**ITEM NO. D4128-15T**

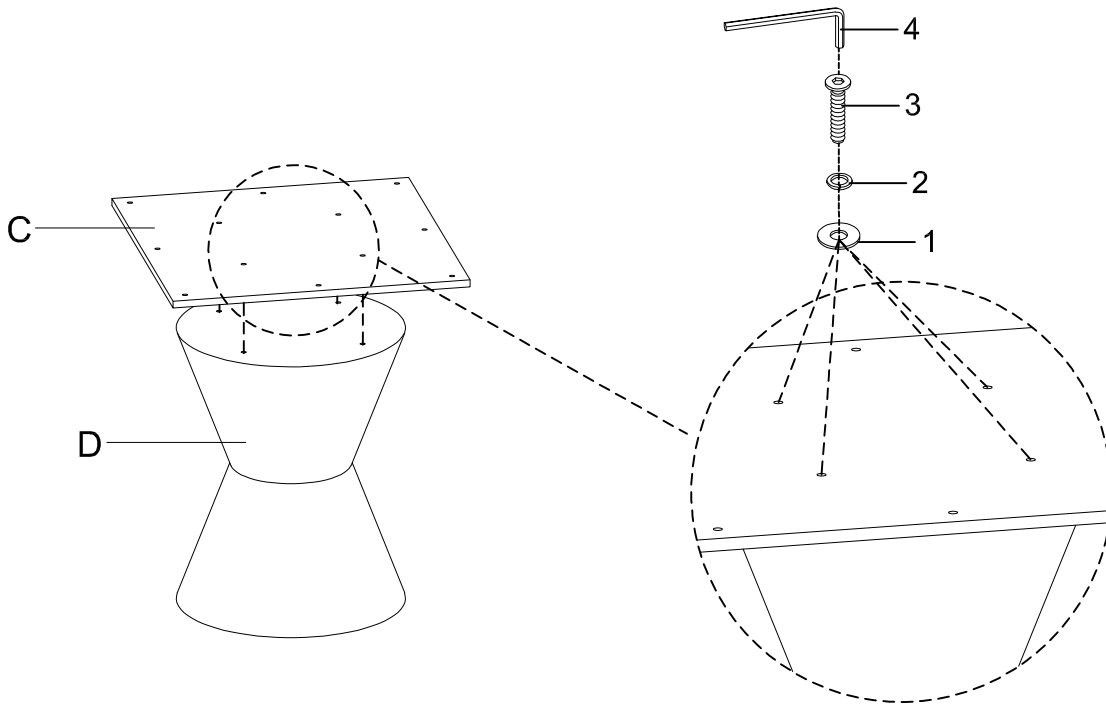
GWENDOLYN ROUND DINING TABLE TOP & LAZY SUSAN

**ITEM NO. D4128-15B**

GWENDOLYN ROUND DINING TABLE BASE

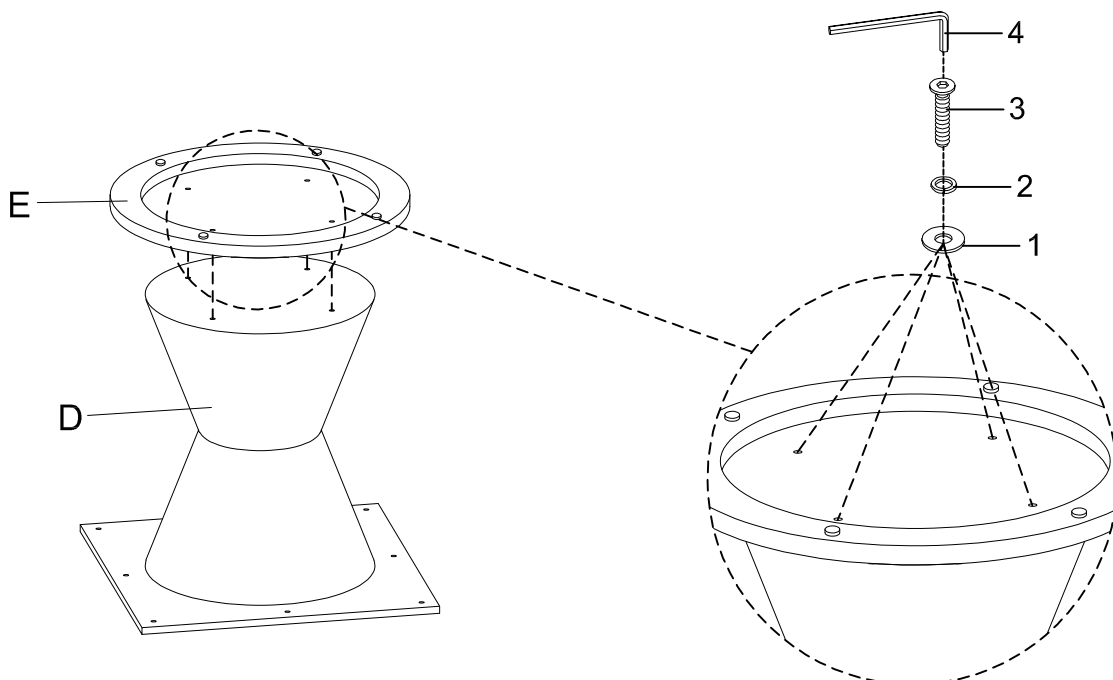
## STEP 1

Assemble the mounting plate (C) to the leg (D) by using the Allen key (4) with hardware 1, 2, and 3.



## STEP 2

Assemble the base (E) to the other end of the leg (D) by using the Allen Key (4) with hardware 1, 2, and 3.



# Assembly Instructions

**ITEM NO. D4128-15T**

GWENDOLYN ROUND DINING TABLE TOP & LAZY SUSAN

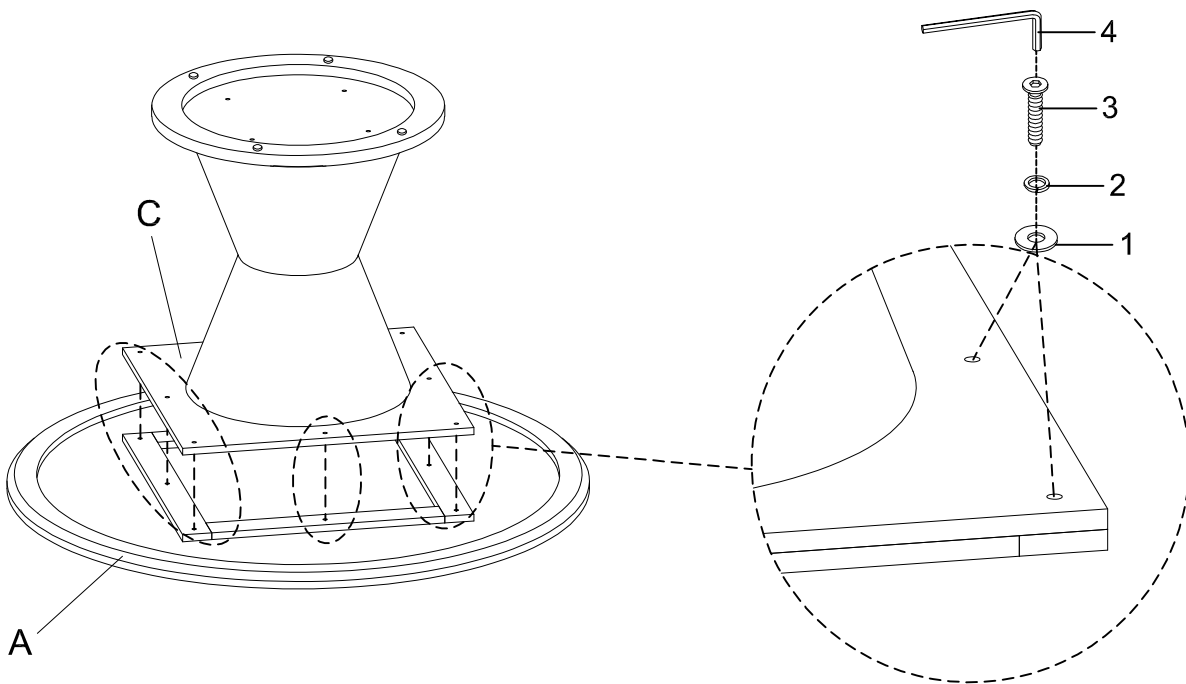
**ITEM NO. D4128-15B**

GWENDOLYN ROUND DINING TABLE BASE

## STEP 3

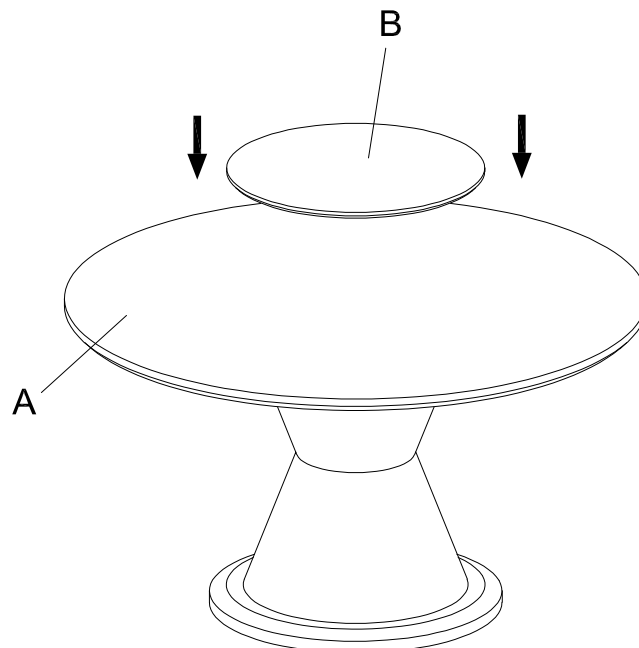
Place the table top (A) upside down on a flat and clean surface.

Assemble the mounting plate (C) to the table top (A) by using the Allen key (4) with hardware 1, 2, and 3.



## STEP 4

Stand the table upright, then align and position the lazy Susan (B) at the center of table top (A).



# Assembly Instructions

**ITEM NO. D4128-15T**

GWENDOLYN ROUND DINING TABLE TOP & LAZY SUSAN

**ITEM NO. D4128-15B**

GWENDOLYN ROUND DINING TABLE BASE

## STEP 5

To level the table, stand the table upright on a flat surface and adjust by twisting the levelers on the base (E).

