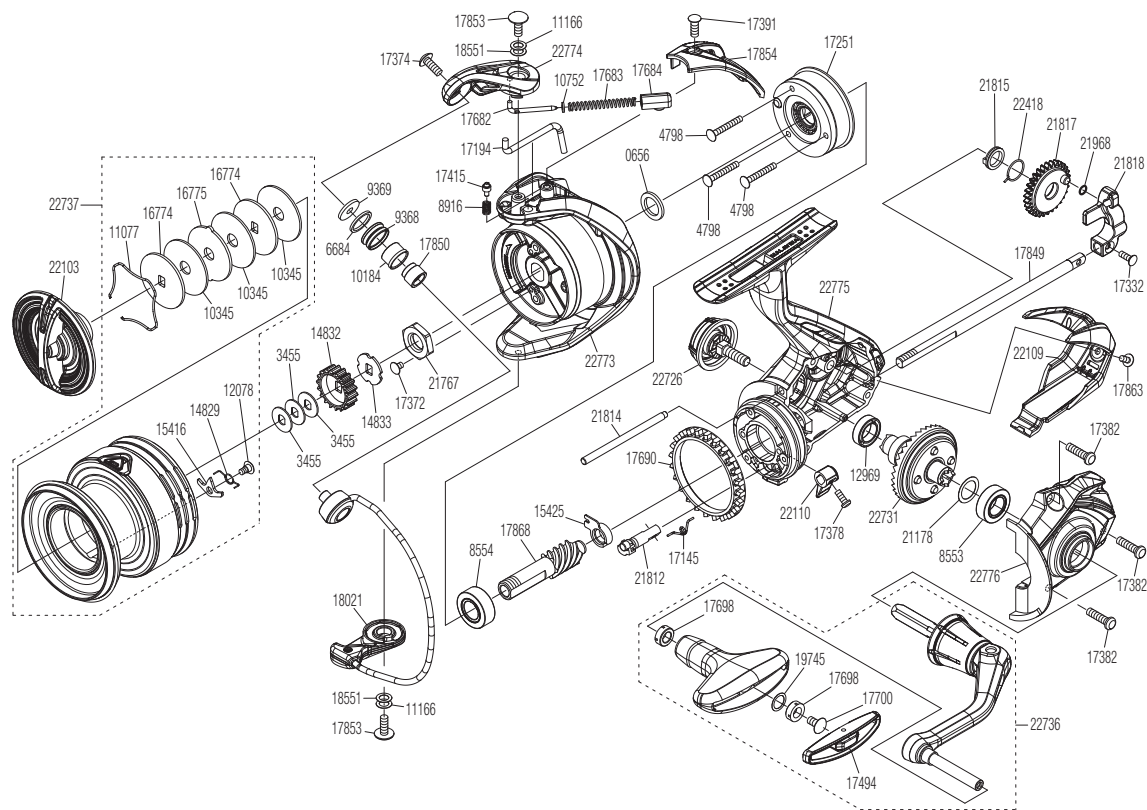


SHIMANO

SEDONA

SE-C3000HG



(51SB50BE36X) Please note that the number of adjusting washers may not be the same as shown in the exploded views.
(Adjustment will vary with each individual product.)

#	Part No.	Description	#	Part No.	Description	#	Part No.	Description
0656	1074R	Washer	17332	10R1P	Screw	21814	10TBF	Oscillating Guide
3455	10BXN	Spool Washer	17372	10LCE	Screw	21815	10TBH	Bushing
4798	103C6	Screw	17374	10K90	Screw	21817	100QJ	Oscillating Gear
6684	10KFD	Spacer	17378	10L1R	Screw	21818	100KG	Oscillating Slider
8553	107AT	Ball Bearing	17382	10L6J	Screw	21968	101BW	O Ring
8554	107FE	Ball Bearing	17391	10LFK	Screw	22103	10T6H	Drag Knob Assembly
8916	10CH0	Click Spring	17415	106ZC	Click Pin	22109	100PN	Rear Protector
9368	10JLF	Line Roller	17494	10R3A	Handle Knob Seal	22110	100HA	Anti Reverse Lever
9369	10PPF	Washer	17682	1061L	Bail Spring Guide A	22418	10RPB	Bushing Spring
10184	10PFH	Bushing	17683	105R6	Bail Spring	22726	13YP8	Handle Screw Cap Assembly
10345	10N5A	Drag Washer	17684	107AB	Bail Spring Guide B	22731	13YPD	Drive Gear Assembly
10752	10TYE	Bail Spring Guide A Collar	17690	104FV	Friction Ring	22736	13YPJ	Handle Assembly
11077	10MZX	Retainer	17698	10PXZ	Bushing	22737	13YPK	Spool Assembly
11166	10KFA	Washer	17700	10LFA	Screw	22773	13Z9G	Rotor
12078	10PH4	Screw	17849	10DMK	Main Shaft	22774	13Z9H	Bail Arm
12969	107FA	Ball Bearing	17850	1020X	Collar	22775	13Z9J	Body
14829	10PH3	Drag Click Spring	17853	10LFH	Screw	22776	13Z9K	Side Cover
14832	103MU	Spool Support A	17854	10DNX	Bail Spring Cover			
14833	10J04	Spool Support B	17863	10LCS	Screw			
15416	1038H	Drag Click	17868	10DMH	Pinion Gear			
15425	1074K	Bushing	18021	10RUM	Bail Assembly			
16774	10BCE	Key Washer	18551	10K96	Washer			
16775	102ZD	Eared Washer	19745	104FH	Washer			
17145	105B4	Anti Reverse Cam Spring	21178	10EEZ	Washer			
17194	106P2	Bail Trip Lever	21767	10RXE	Rotor Nut			
17251	10QPN	Roller Clutch Assembly	21812	10T82	Anti Reverse Cam			