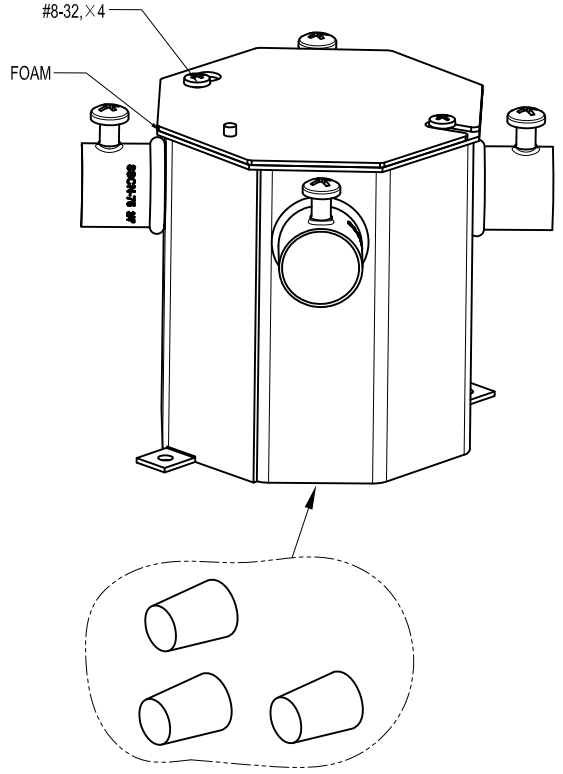
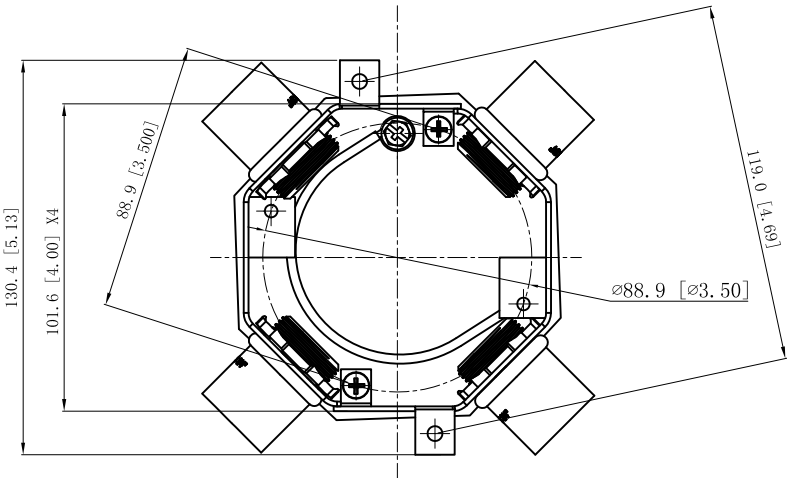
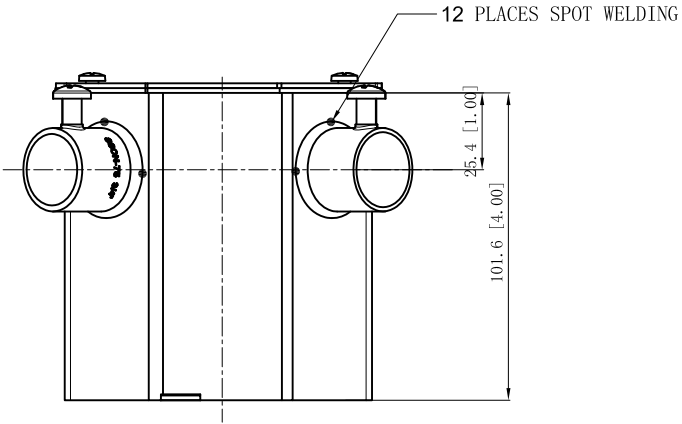


<b>SIDES</b>	<b>BOTTOM</b>
4 3/4" KNOCKOUTS	
4 PCS 8-32×1/2 Screws Installed	
11' Long THHN #12 AWG solid pigtail w/captive #10-32 ground screw	
Material: Steel-0.0625"-G60 Galvanized	



This data sheet is for reference only .GARVIN INDUSTRIES reserves the right to make changes to the design without prior notice.

<b>DESCRIPTION</b>
<b>TRADE REFERENCE TERMS</b>

<b>STANDARD PACKING</b>
20 PCS

<b>GARVIN INDUSTRIES</b>		
TITLE <b>OCTAGON CONCRETE RINGS</b>		
SIZE A4	DWG NO. OCA40075	REV C
DATA SHEET		
www.garvinindustries.com		