

# Assembly Guide

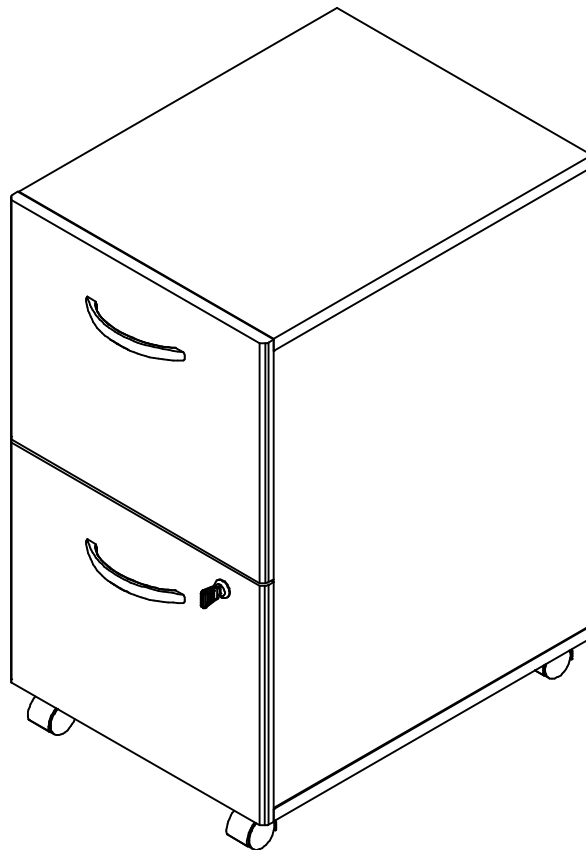


If you're having any difficulty during assembly of this product, don't hesitate to call us at **1-800-950-4782.**

Our customer service experts are trained to provide step-by-step instruction and can easily replace any missing or damaged parts.

**Representatives are available Monday-Friday from 8:30 a.m. to 7:30 p.m. (ET)**

## 2 Drawer Mobile Pedestal



Lot Code #

Part Number A179122C

Keep manual for future reference.

## For best results, keep these tips in mind:

- ① We know you want to finish this assembly as quickly as possible, but trust us: you'll have a better experience if you take it one step at a time.
- ② Give yourself some room to work near where you want the fully assembled product.
- ③ If your floor isn't carpeted, assemble this product on the empty carton to avoid scratching.
- ④ Do you have a friend who owes you a favor? Some steps may go a little easier with a second set of hands.

### DOs

- ✔ Use a #2 Phillips head screwdriver (or other handheld tools as indicated)
- ✔ Wear safety glasses at all times during assembly
- ✔ Carefully follow the instructions in this guide and complete all steps in order
- ✔ Give us a call if you're having trouble with a particularly tricky step

### DON'Ts

- ✘ We know power tools are quick and easy, but you shouldn't use them when assembling this product (unless otherwise specified)
- ✘ Never move your furniture with items inside or resting on the surface
- ✘ Do not attempt to use this product before all steps have been completed



## Watch assembly videos right on your phone or computer!



Some steps include QR codes that link to helpful videos. Watch out for the icon below! Simply open up your smartphone camera to scan the code.

*(Users of older smartphones may need to install a QR Reader.)*

**SCAN HERE**



**FOR VIDEOS**

Or visit <https://www.bushbusinessfurniture.com/CustomerService/HowtoAssemble.aspx>

# IMPORTANT SAFETY INFORMATION

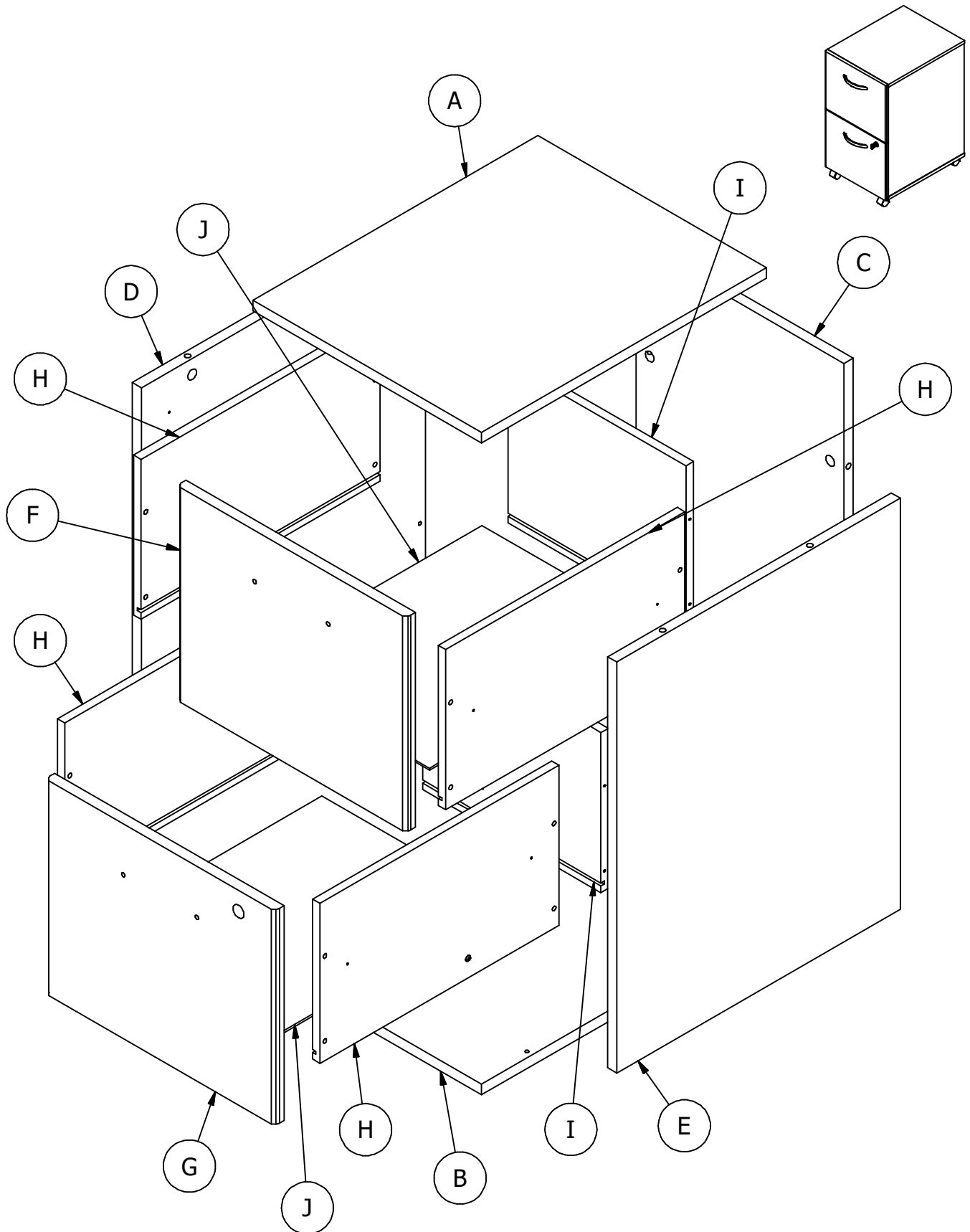


## PLEASE READ WARNINGS

Improper use can cause safety hazards, or damage to your furniture and household items.

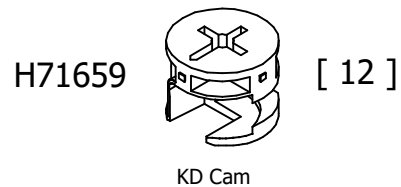
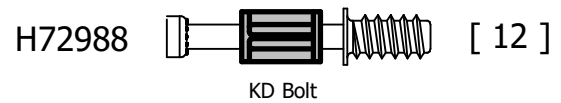
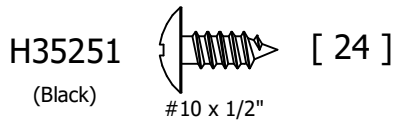
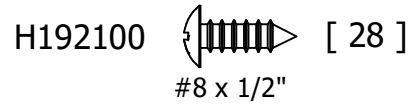
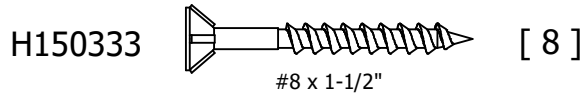
Warning	Do	Don't	Why it's important
<b>Serious injury may occur.</b>	<ul style="list-style-type: none"><li>Assemble following all instructions using all indicated parts and hardware provided.</li><li>Install every indicated nail and/or screw.</li><li>Verify furniture is stable on it's own.</li><li>Place heaviest items in the lower drawers.</li><li>Always load the bottom drawer first.</li></ul>	<ul style="list-style-type: none"><li>Do not move unit when loaded.</li><li>Do not load with a television or other heavy equipment.</li><li>Never exceed the maximum load limits stated in the instructions.</li></ul>	Improper assembly, use or loading can lead to product instability, tip-over or collapse.

Caution	Do	Don't	Why it's important
<b>Injury may occur.</b>	<ul style="list-style-type: none"><li>Unload unit prior to moving starting with top drawer first.</li></ul>	<ul style="list-style-type: none"><li>Do not move unit when loaded.</li></ul>	Loaded units are heavy and are not designed to be moved when loaded.



Have an assembly question or need a replacement part? Just call  
**1-800-950-4782**, we are here to help.

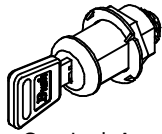
Fasteners are shown actual size.



Have an assembly question or need a replacement part? Just call  
**1-800-950-4782**, we are here to help.

Hardware not to scale.

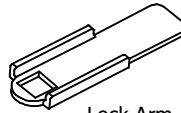
H82396



Cam Lock Assy

[ 1 ]

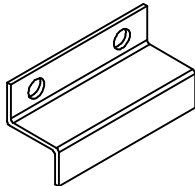
H122276



Lock Arm

[ 1 ]

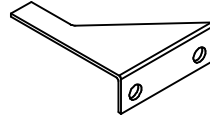
H122278



DWR Bracket

[ 1 ]

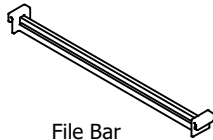
H169029



DWR Bracket

[ 1 ]

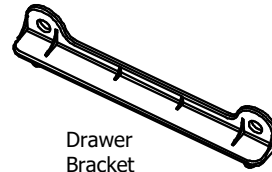
H89793



File Bar  
12-1/2" (318mm)

[ 2 ]

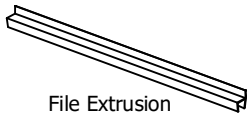
H100446



Drawer Bracket

[ 4 ]

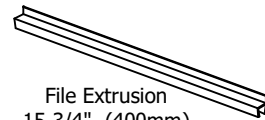
H94928



File Extrusion  
12" (304mm)

[ 2 ]

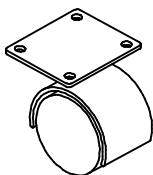
H162488



File Extrusion  
15-3/4" (400mm)

[ 4 ]

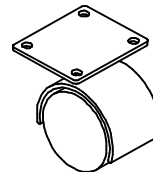
H29794



Caster SWL

[ 2 ]

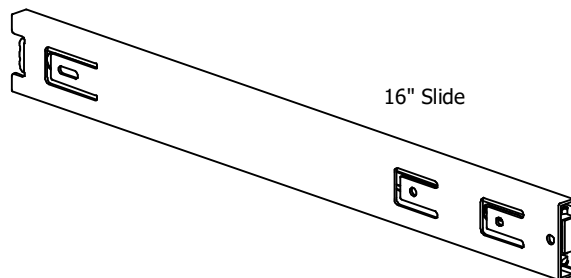
H29795



Caster FXD

[ 2 ]

Q162813



16" Slide

[ 2 Sets of 2 ]

Have an assembly question or need a replacement part? Just call  
**1-800-950-4782**, we are here to help.

# STEP 1

## Prepare Drawer Front

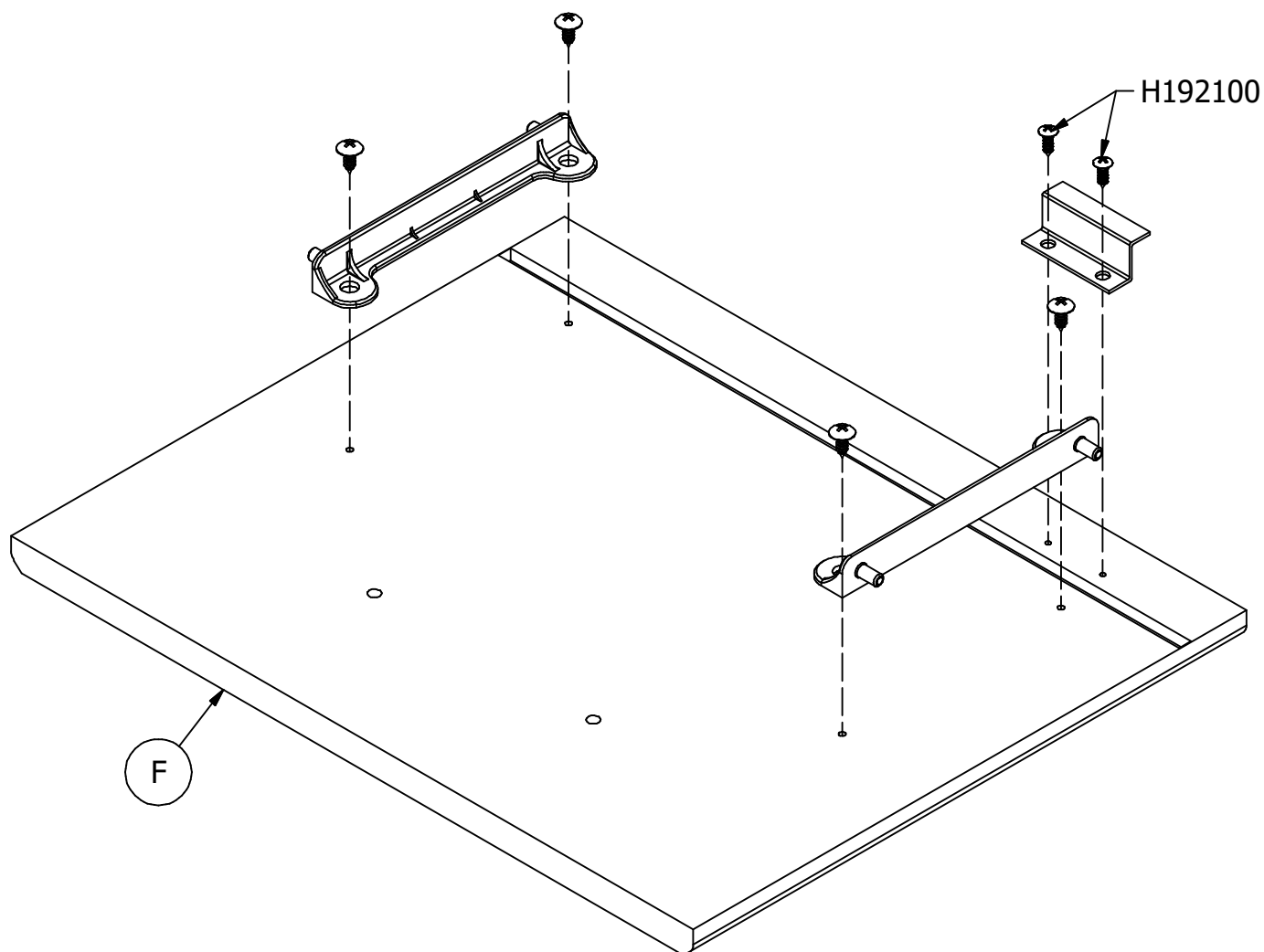
A179122C

H35251 [ 4 ]  
(Black) #10 x 1/2"

H100446 [ 2 ]  
Drawer Bracket

H192100 [ 2 ]  
#8 x 1/2"

H122278 [ 1 ]  
DWR Bracket



Have an assembly question or need a replacement part? Just call  
**1-800-950-4782**, we are here to help.

# STEP 2

# Prepare Drawer Front

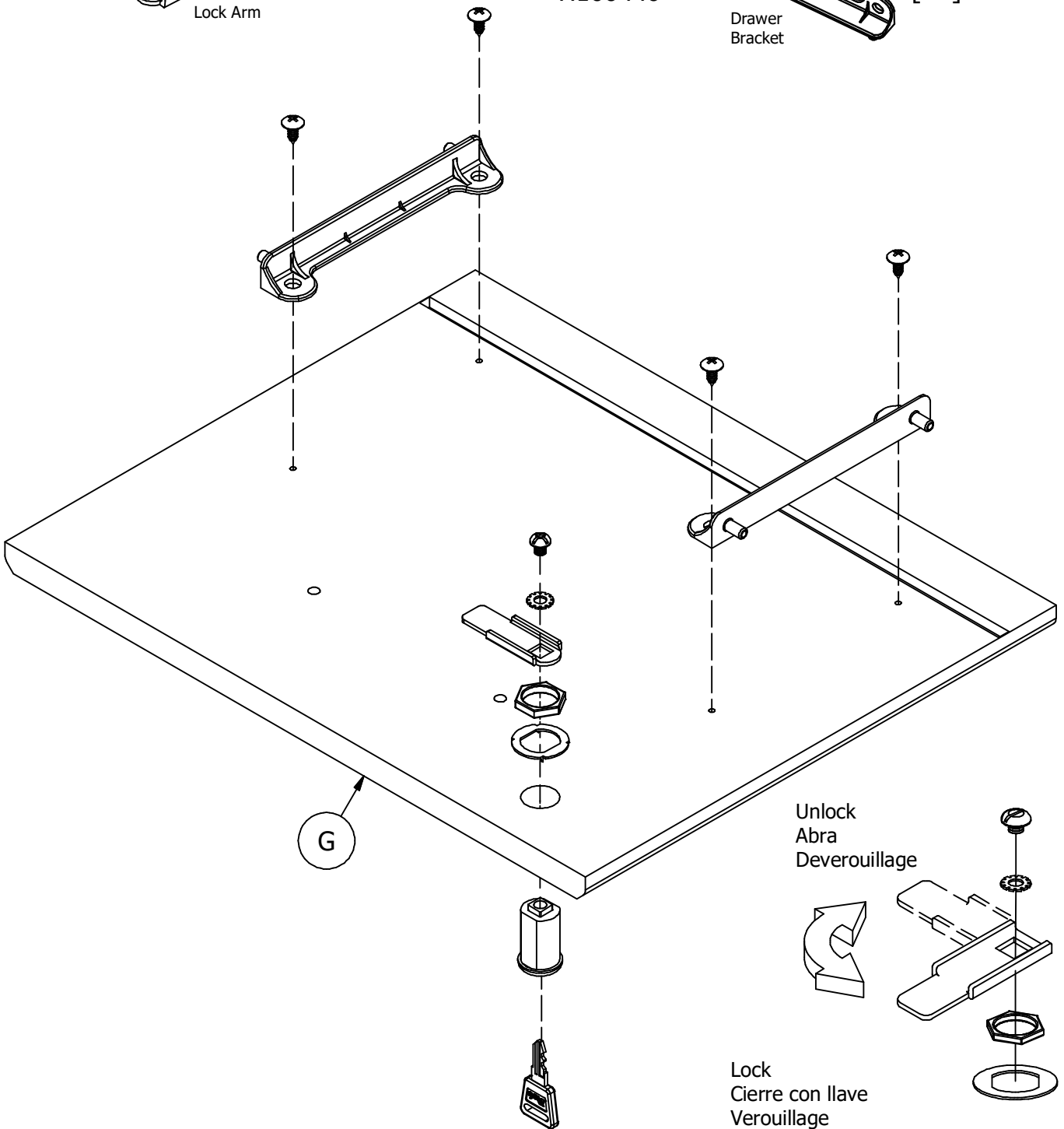
A179122C

H35251 [ 4 ]  
(Black) #10 x 1/2"

H82396 [ 1 ]  
Cam Lock Assy

H122276 [ 1 ]  
Lock Arm

H100446 [ 2 ]  
Drawer Bracket




Have an assembly question or need a replacement part? Just call  
**1-800-950-4782**, we are here to help.




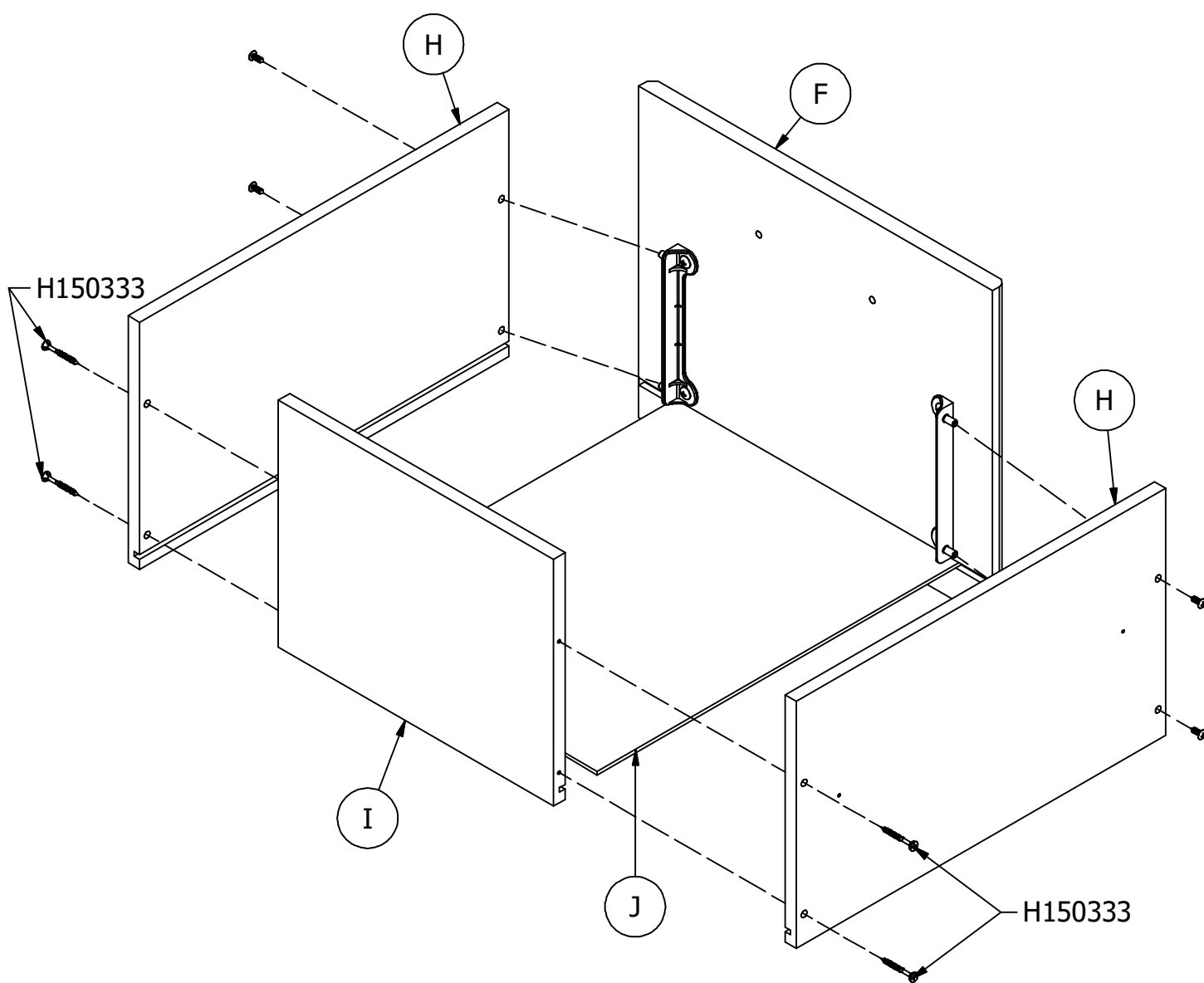
# STEP 3

# Build Drawer

A179122C

H150333  [ 4 ]  
#8 x 1-1/2"

H192100  [ 4 ]  
#8 x 1/2"



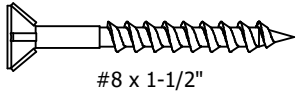
Have an assembly question or need a replacement part? Just call  
**1-800-950-4782**, we are here to help.

# STEP 4

# Build Drawer

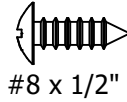
A179122C

H150333

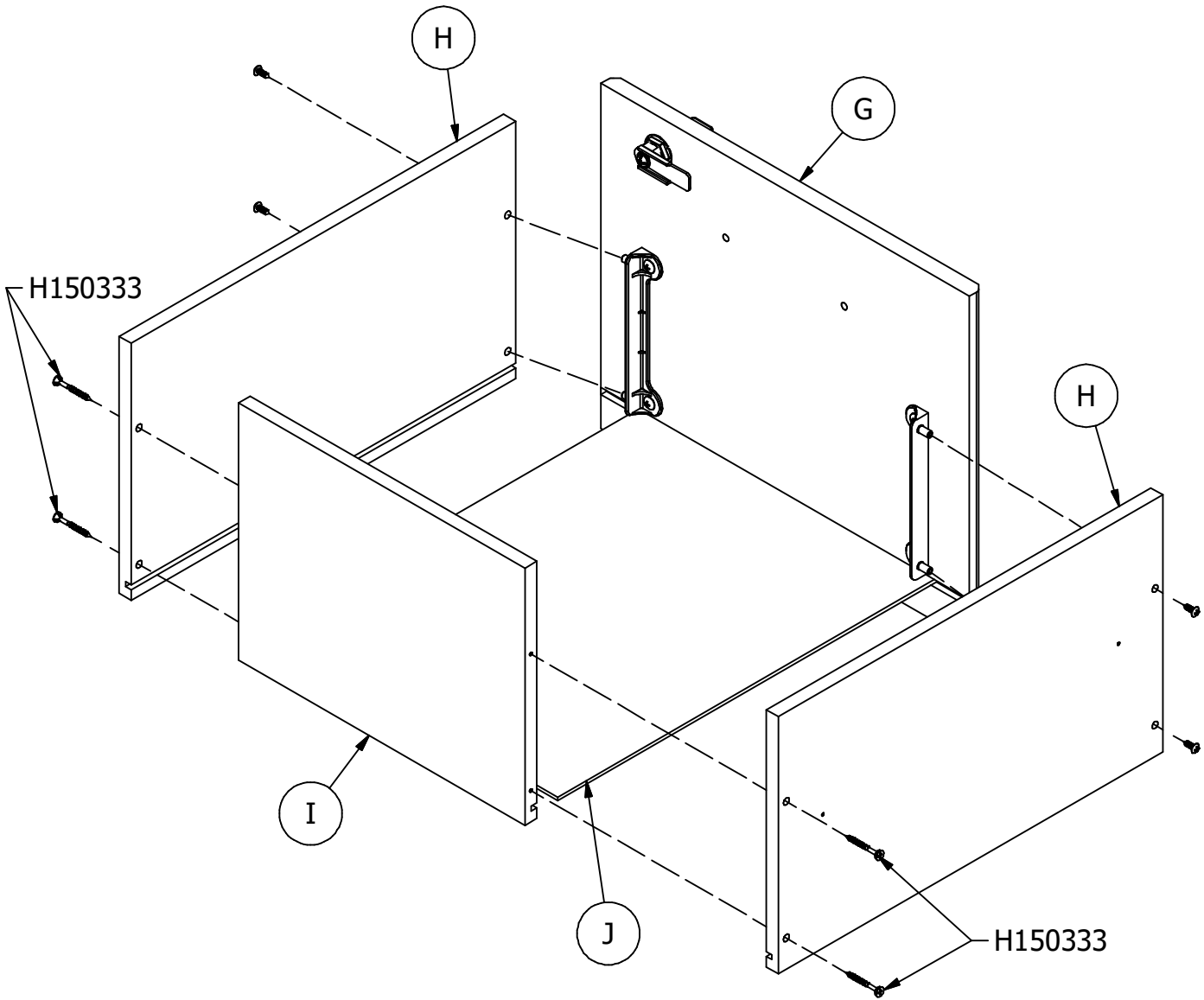


[ 4 ]

H192100



[ 4 ]



Have an assembly question or need a replacement part? Just call  
**1-800-950-4782**, we are here to help.

Scan QR Code to Watch Video on:

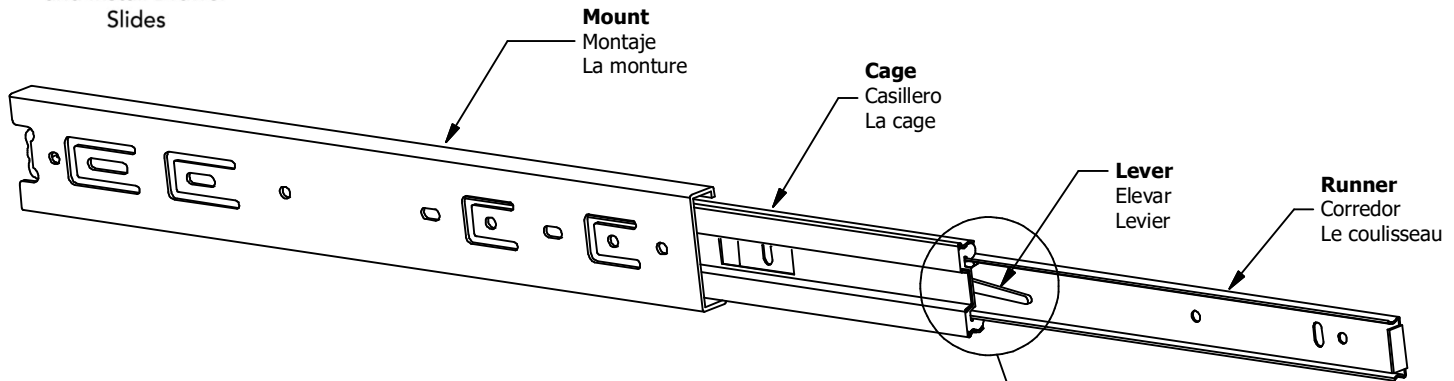


How to Separate and Install Drawer Slides

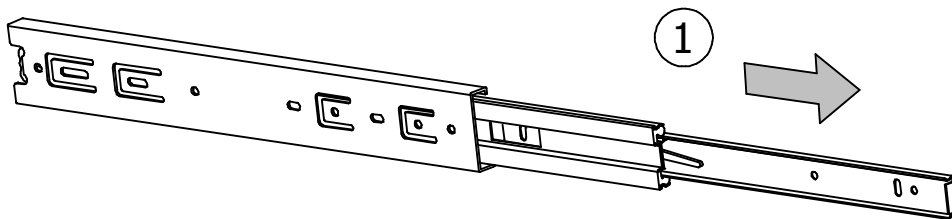
**Slides Must Be Separated Before Assembly.  
After Separated, Set Aside Until Needed for Assembly.**

Las diapositivas deben separarse antes del montaje.  
Después de la separación, déjelo a un lado hasta que sea necesario.

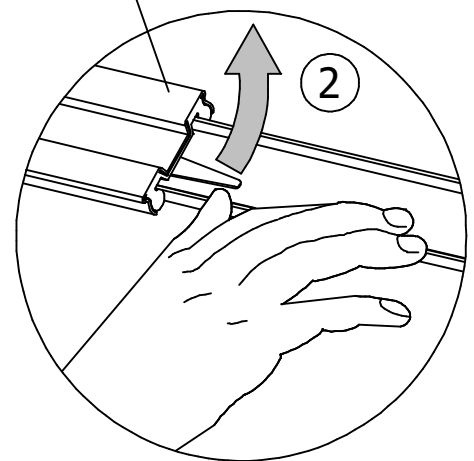
Les glissières doivent être séparées avant l'assemblage.  
Après la séparation, mettez de côté jusqu'au moment de l'assemblage.



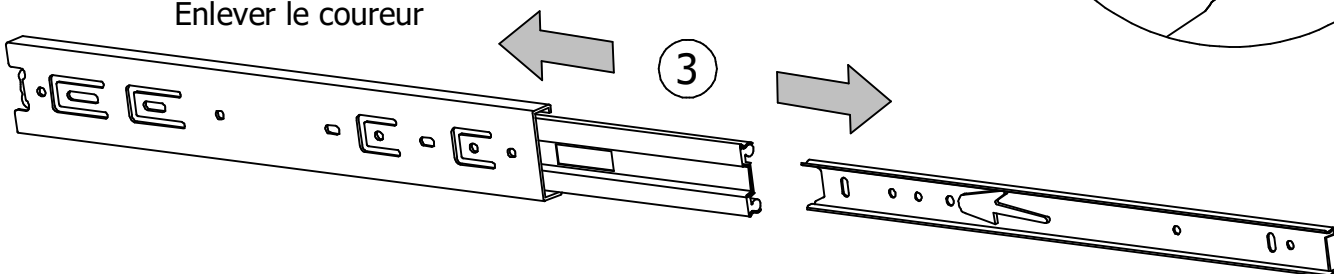
**STEP 1: Extend Slide**  
Extender la diapositiva  
Extendre la diapositive



**STEP 2: Push Lever UP**  
Empujar hacia arriba  
Lever le levier



**STEP 3: Remove Runner**  
Quitar el corredor  
Enlever le coureur




Have an assembly question or need a replacement part? Just call **1-800-950-4782**, we are here to help.

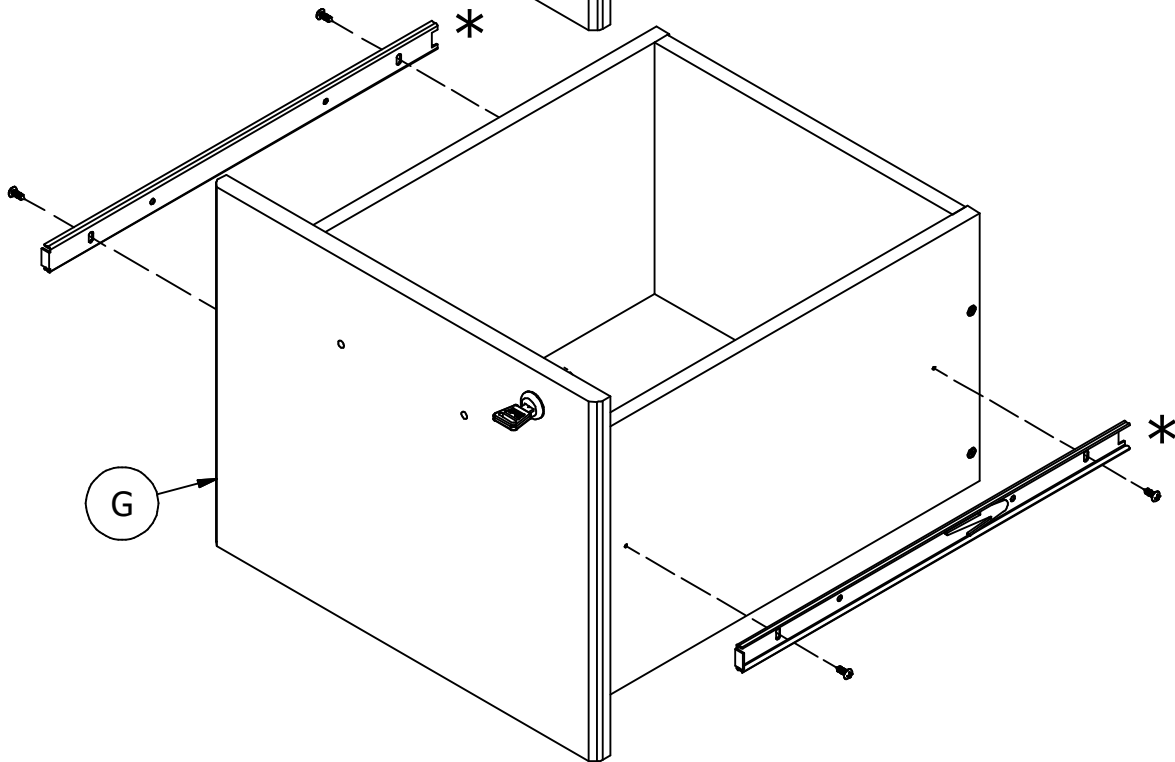
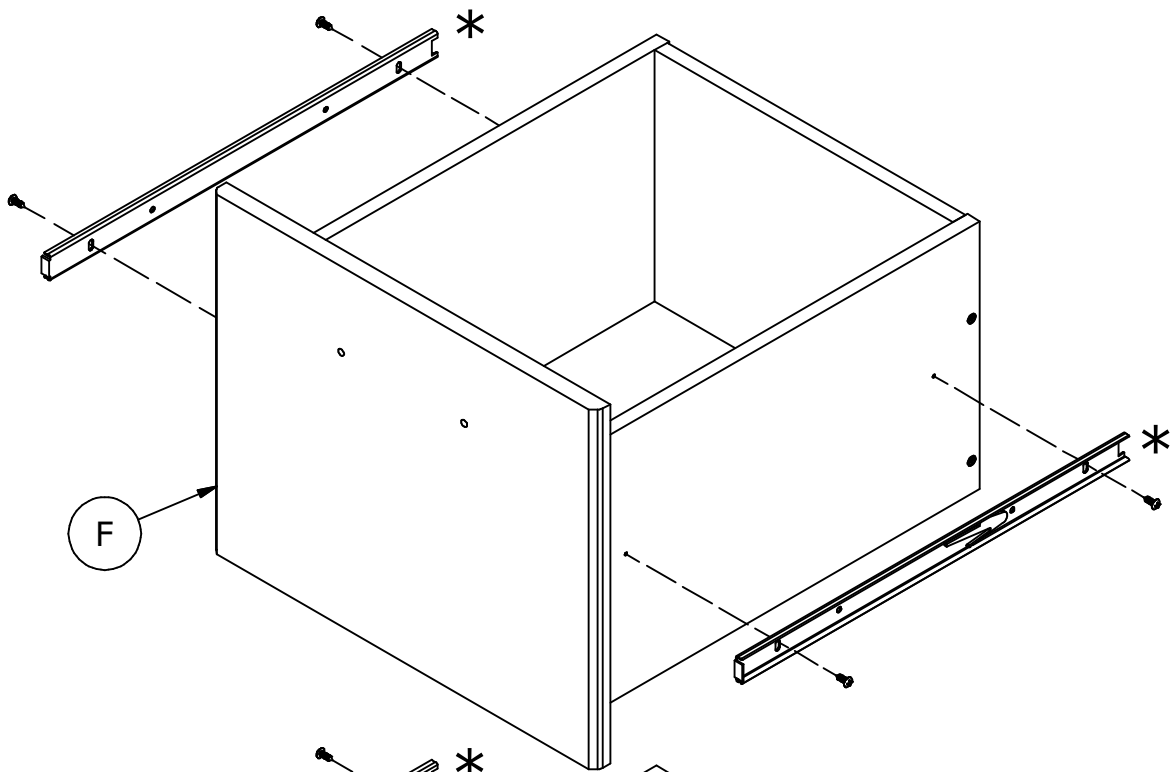
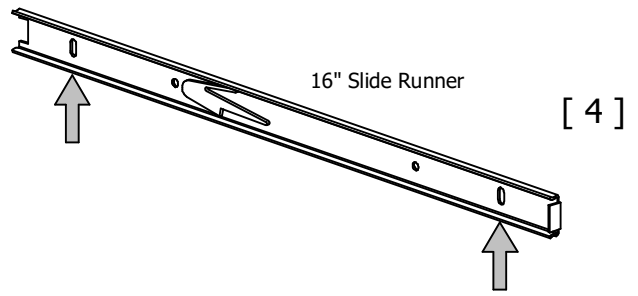
# STEP 6

# Attach Hardware

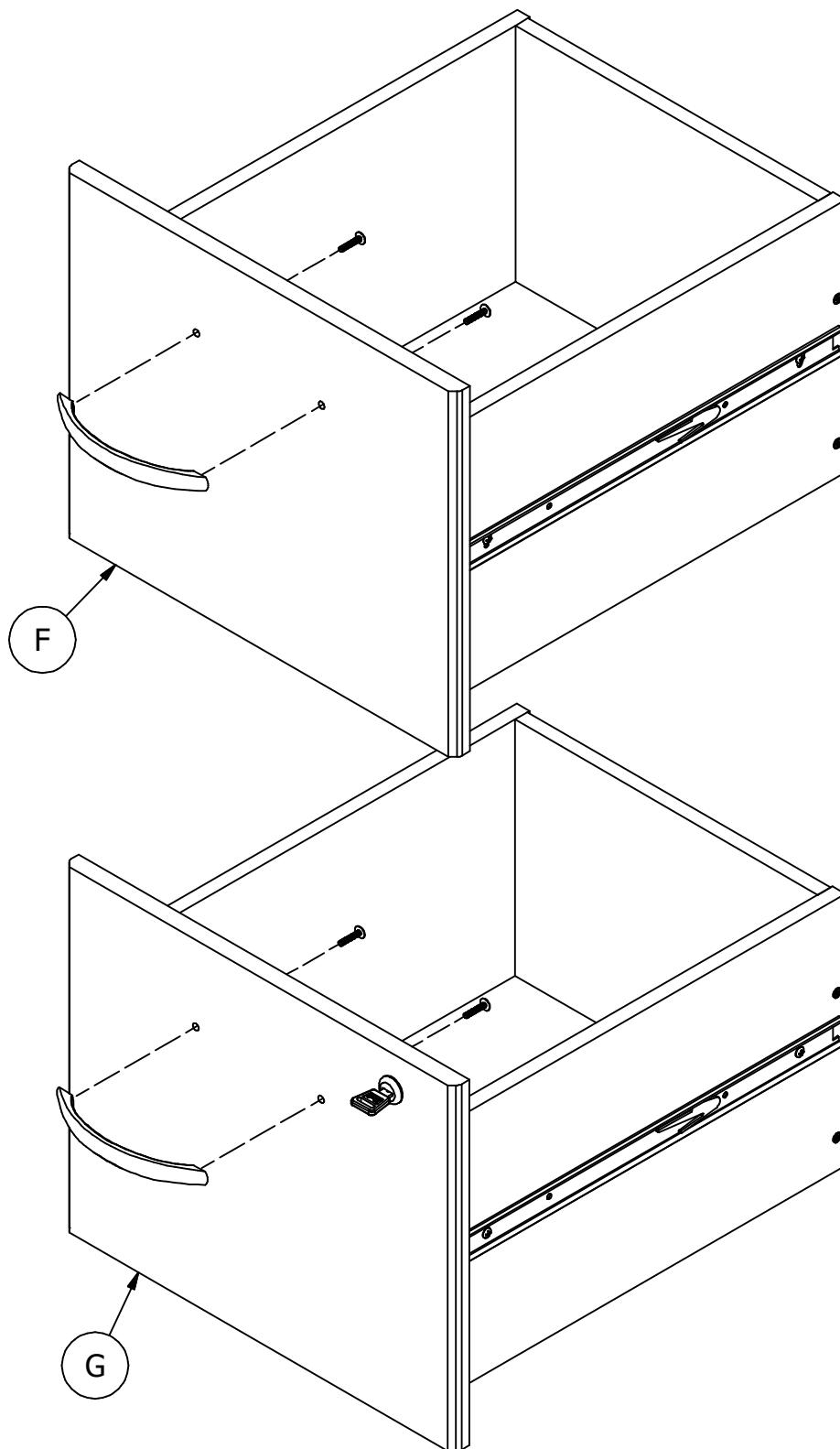
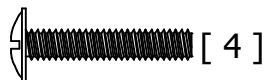
A179122C

H192100  [ 8 ]  
#8 x 1/2"

Orientation  
Orientación  
L'orientation  
Q162813

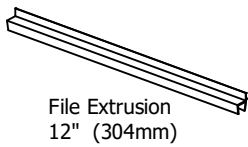


Have an assembly question or need a replacement part? Just call  
**1-800-950-4782**, we are here to help.



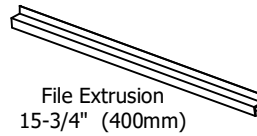
Have an assembly question or need a replacement part? Just call  
**1-800-950-4782**, we are here to help.

H94928



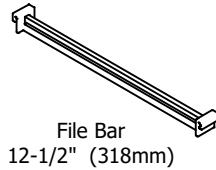
[ 2 ]

H162488



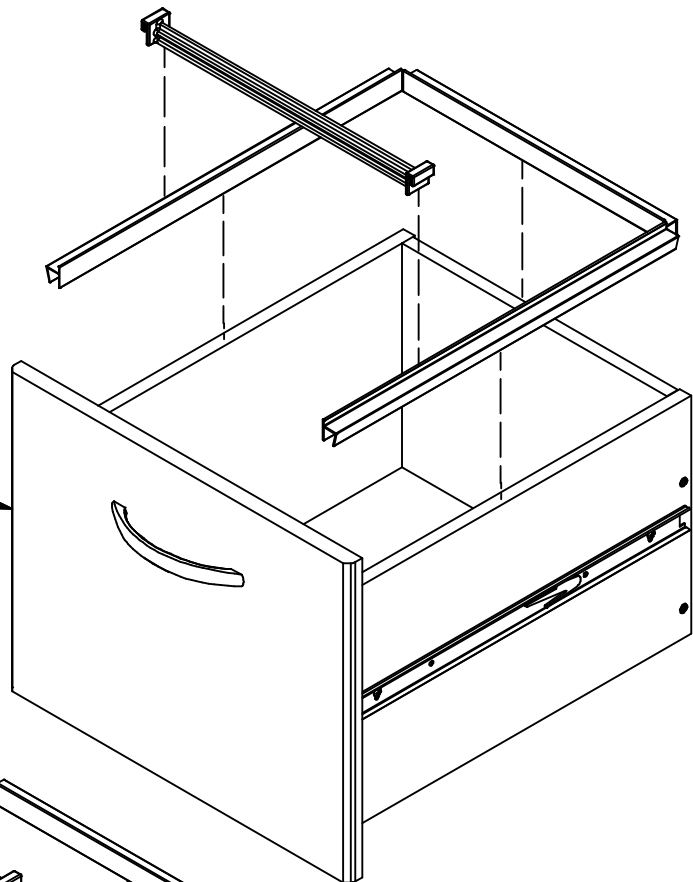
[ 4 ]

H89793

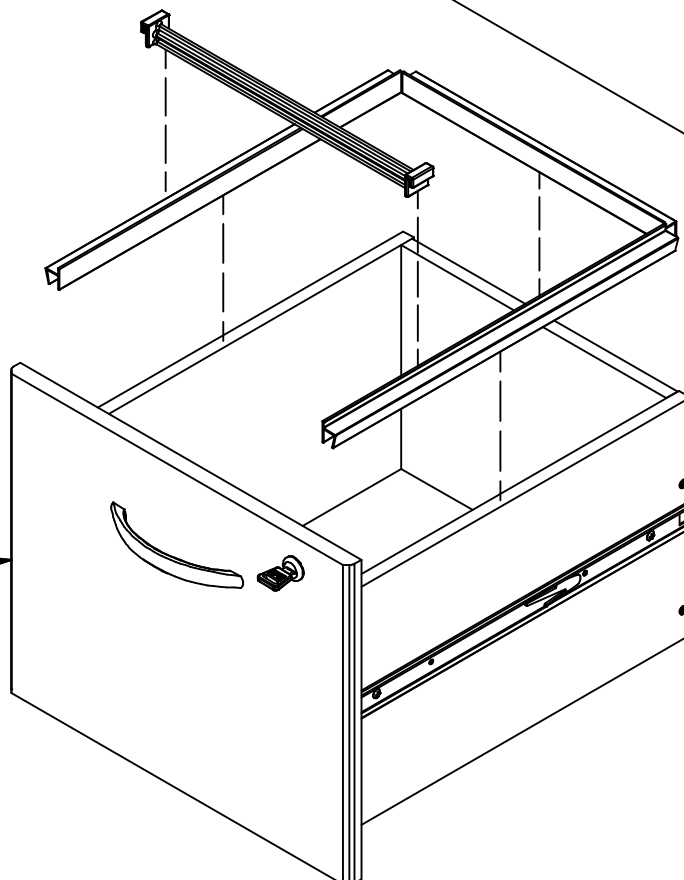


[ 2 ]

F



G



Have an assembly question or need a replacement part? Just call  
**1-800-950-4782**, we are here to help.

# STEP 9

## Prepare Panel

A179122C

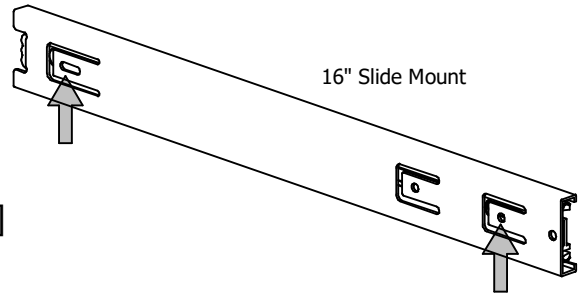
Scan QR Code to Watch Video on:



How to Separate and Install Drawer Slides

Orientation  
Orientación  
L'orientation

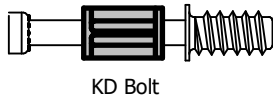
Q162813



16" Slide Mount

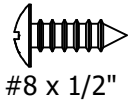
[ 2 ]

H72988 [ 2 ]

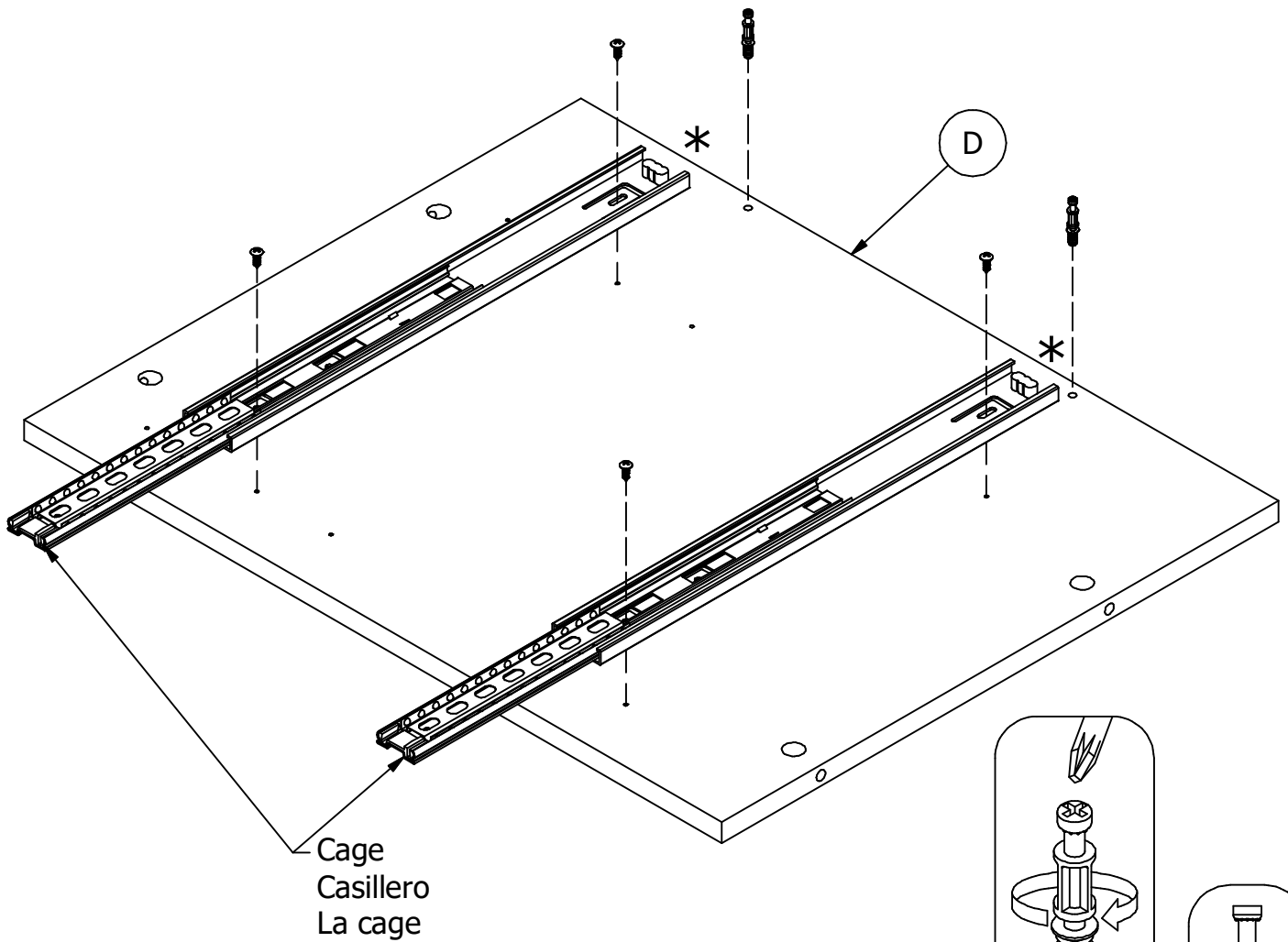


KD Bolt

H192100 [ 4 ]

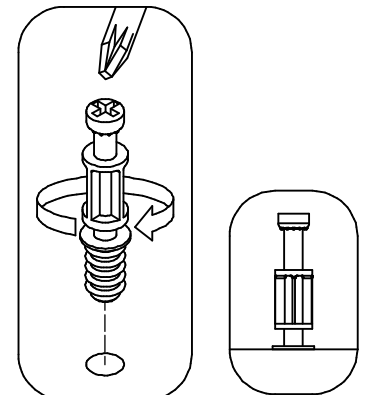


#8 x 1/2"



### MOVE SLIDE CAGE TO EXPOSE ALL HOLE LOCATIONS

MUEVA LA JAULA DE DESLIZAMIENTO PARA EXPONER TODAS LAS ZONAS DEL AGUJERO  
DÉPLACER LE JOINT DE DIAPORAMA POUR EXPOSER TOUTES LES LOCALISATIONS



Have an assembly question or need a replacement part? Just call **1-800-950-4782**, we are here to help.

# STEP 10

# Attach Panel

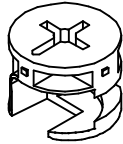
A179122C

Scan QR Code to Watch Video on:



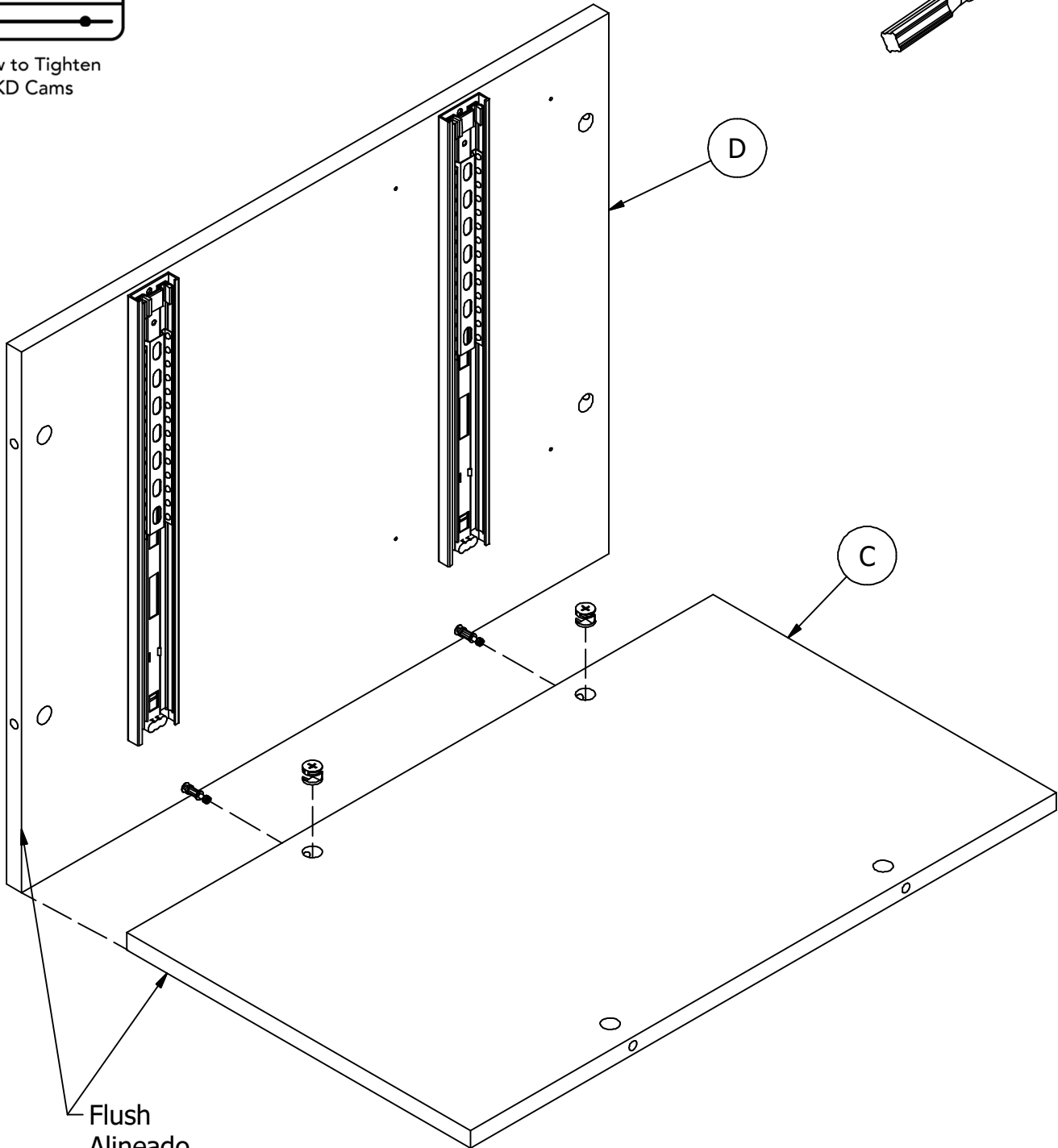
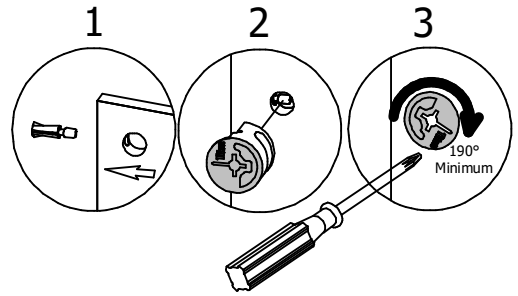
How to Tighten KD Cams

H71659



KD Cam

[ 2 ]



Flush  
Alineado  
Aligné

Have an assembly question or need a replacement part? Just call **1-800-950-4782**, we are here to help.



# STEP 11

# Prepare Panel

A179122C

Scan QR Code to Watch Video on:



How to Separate and Install Drawer Slides

Orientation  
Orientación  
L'orientation

Q162813

16" Slide Mount

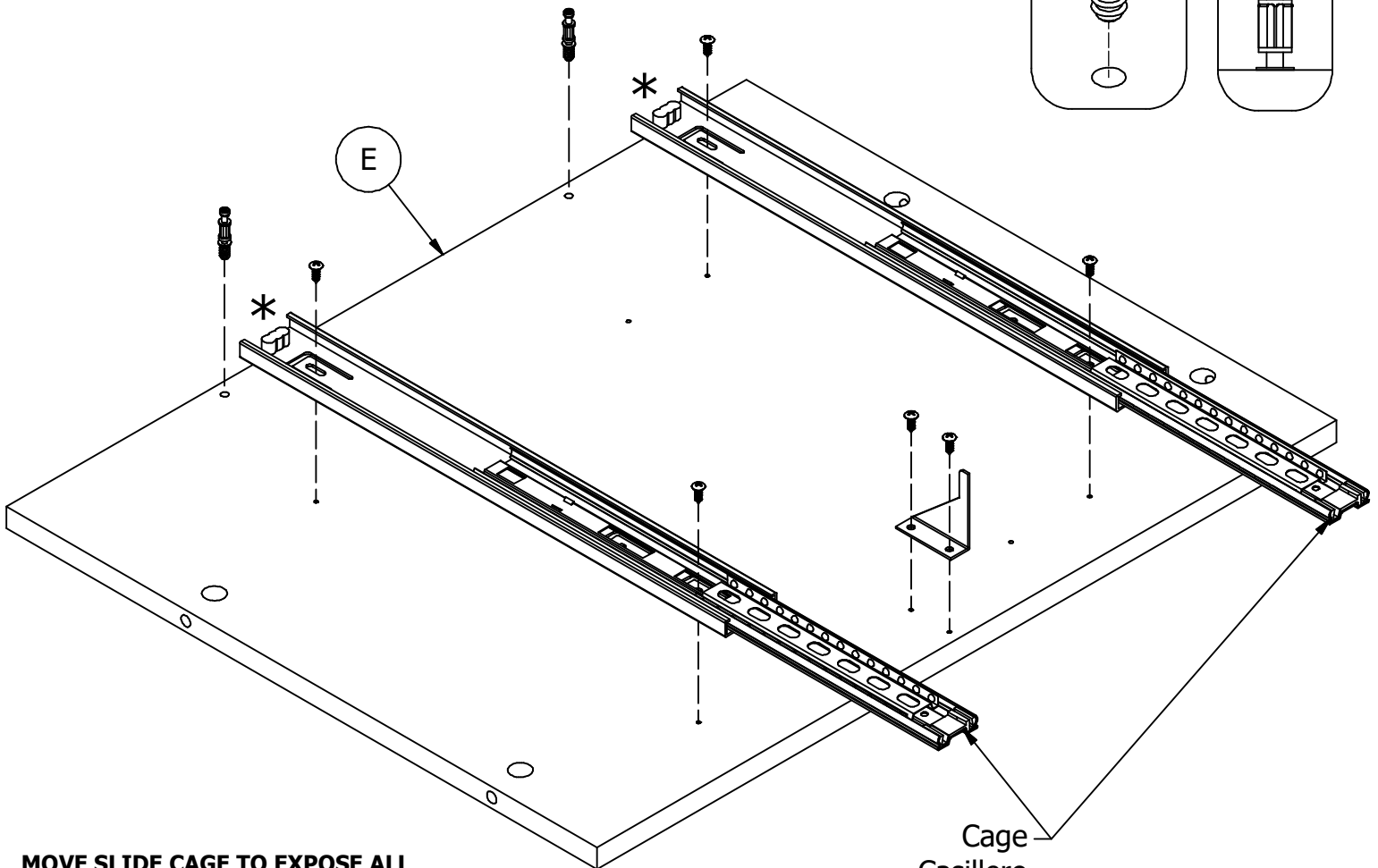
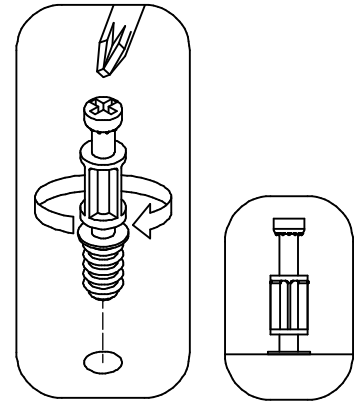
[ 2 ]

H192100 [ 6 ]  
#8 x 1/2"

H72988 [ 2 ]  
KD Bolt

H169029 [ 1 ]

DWR Bracket



**MOVE SLIDE CAGE TO EXPOSE ALL HOLE LOCATIONS**

MUEVA LA JAULA DE DESLIZAMIENTO PARA EXPONER TODAS LAS ZONAS DEL AGUJERO  
DÉPLACER LE JOINT DE DIAPORAMA POUR EXPOSER TOUTES LES LOCALISATIONS

Cage  
Casillero  
La cage

Have an assembly question or need a replacement part? Just call  
**1-800-950-4782**, we are here to help.

# STEP 12

# Attach Panel

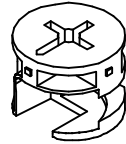
A179122C

Scan QR Code to Watch Video on:



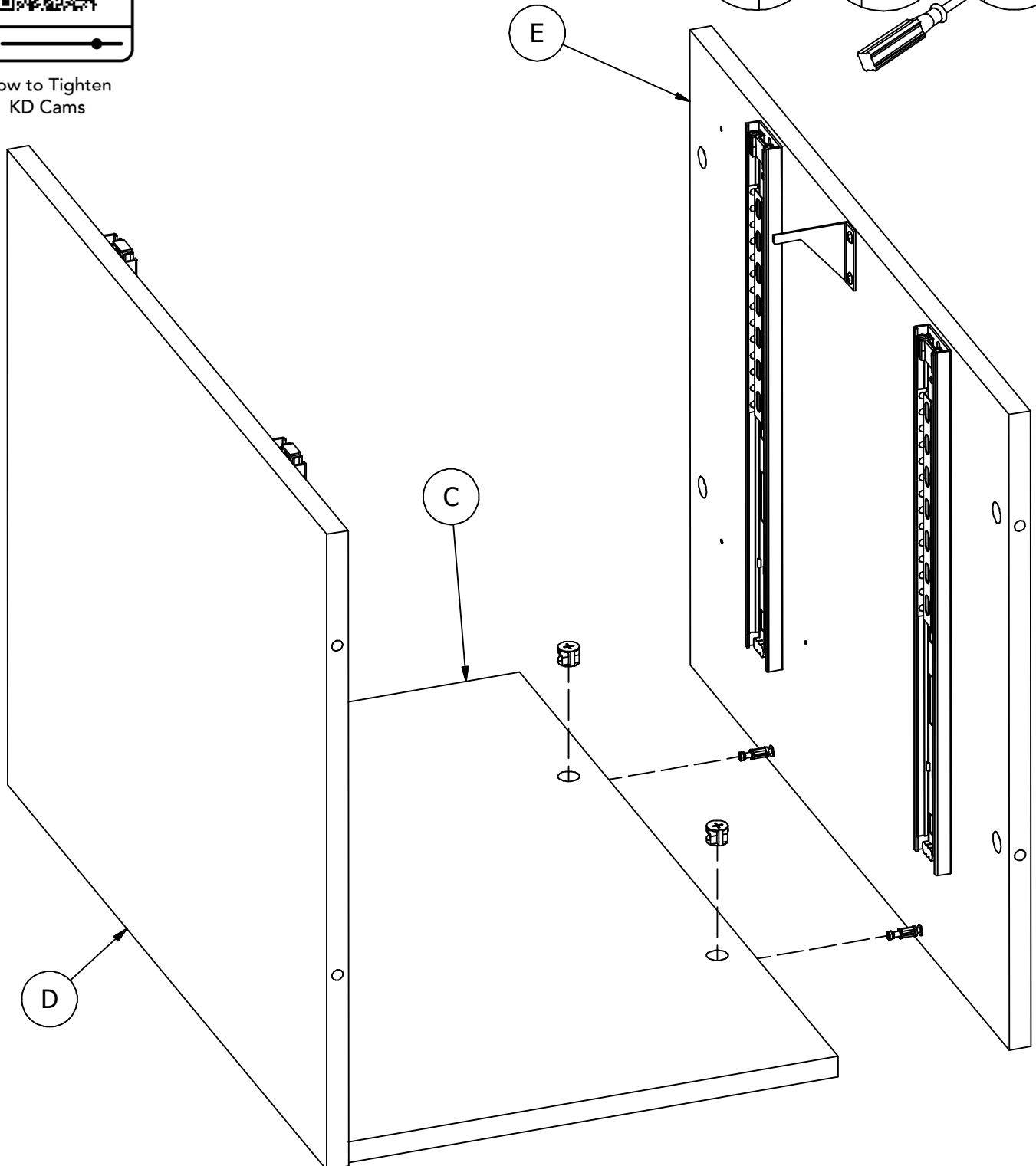
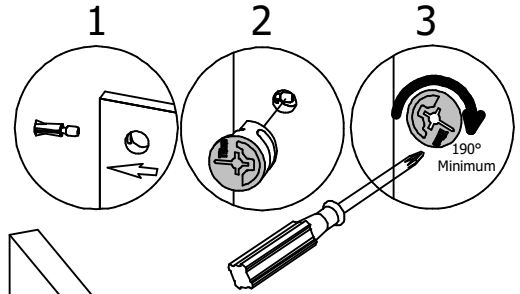
How to Tighten KD Cams

H71659



KD Cam

[ 2 ]



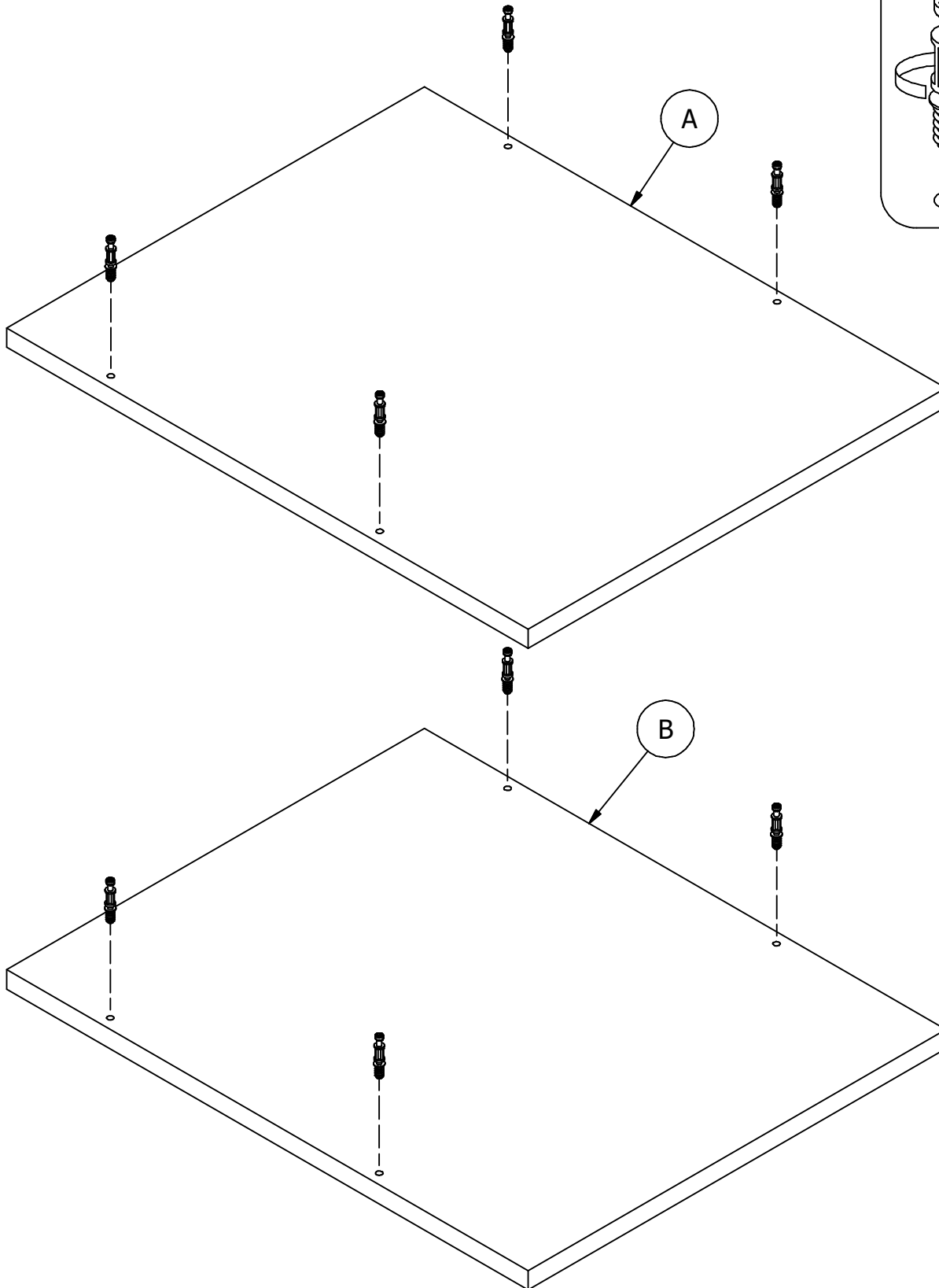
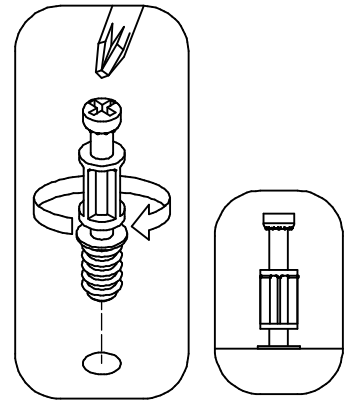
Have an assembly question or need a replacement part? Just call **1-800-950-4782**, we are here to help.

# STEP 13

# Prepare Panels

A179122C

H72988 [ 8 ]  
KD Bolt



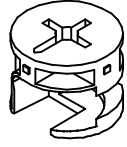
Have an assembly question or need a replacement part? Just call **1-800-950-4782**, we are here to help.

Scan QR Code to Watch Video on:



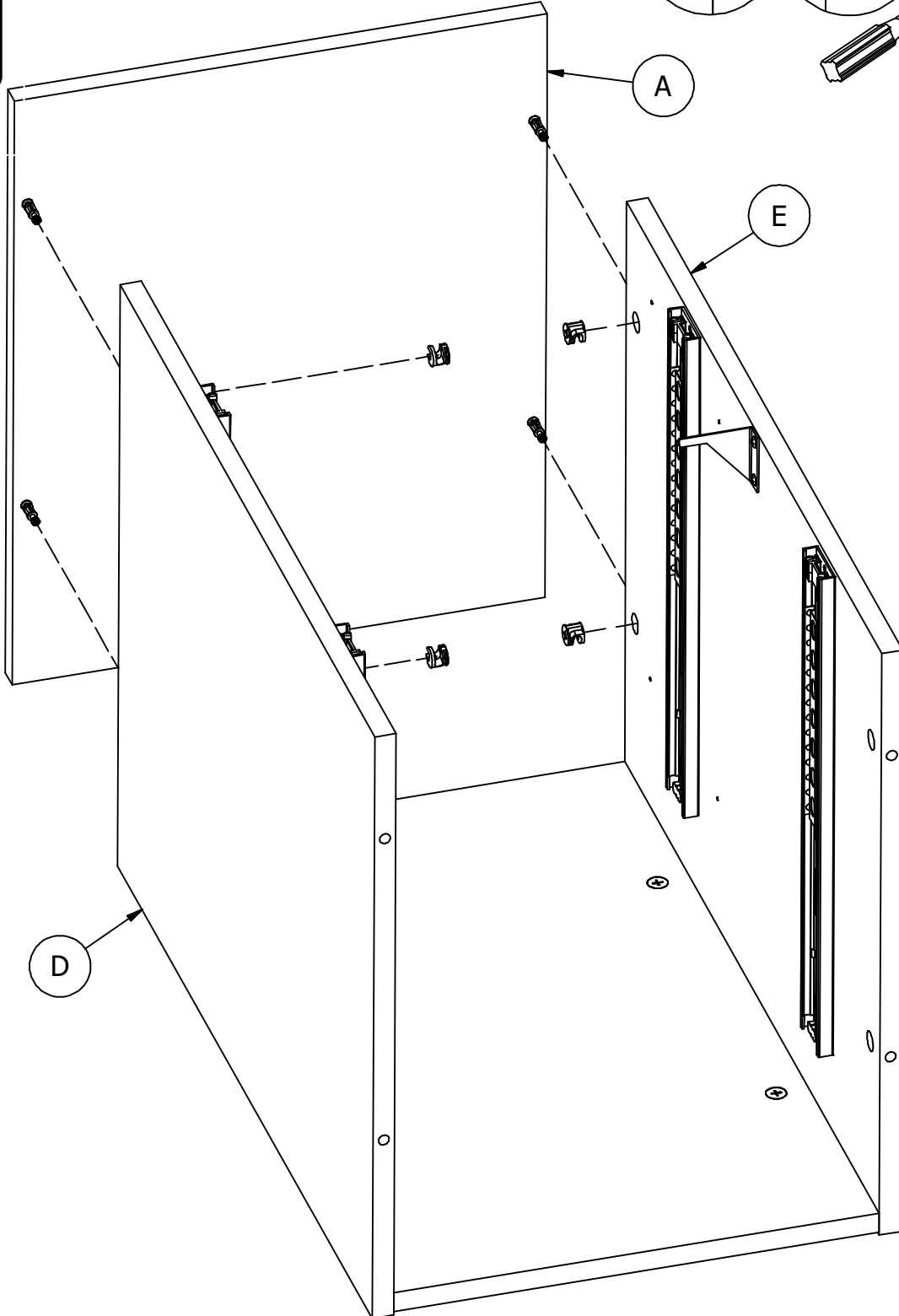
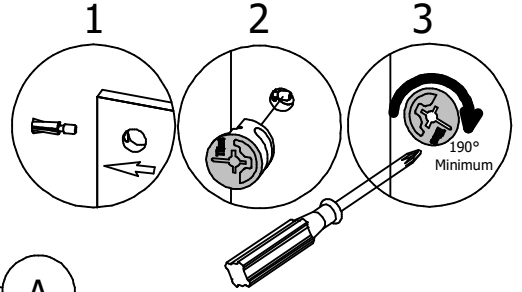
How to Tighten KD Cams

H71659



KD Cam

[ 4 ]



Have an assembly question or need a replacement part? Just call **1-800-950-4782**, we are here to help.

# STEP 15

# Attach Panel

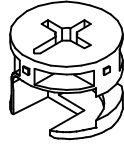
A179122C

Scan QR Code to  
Watch Video on:



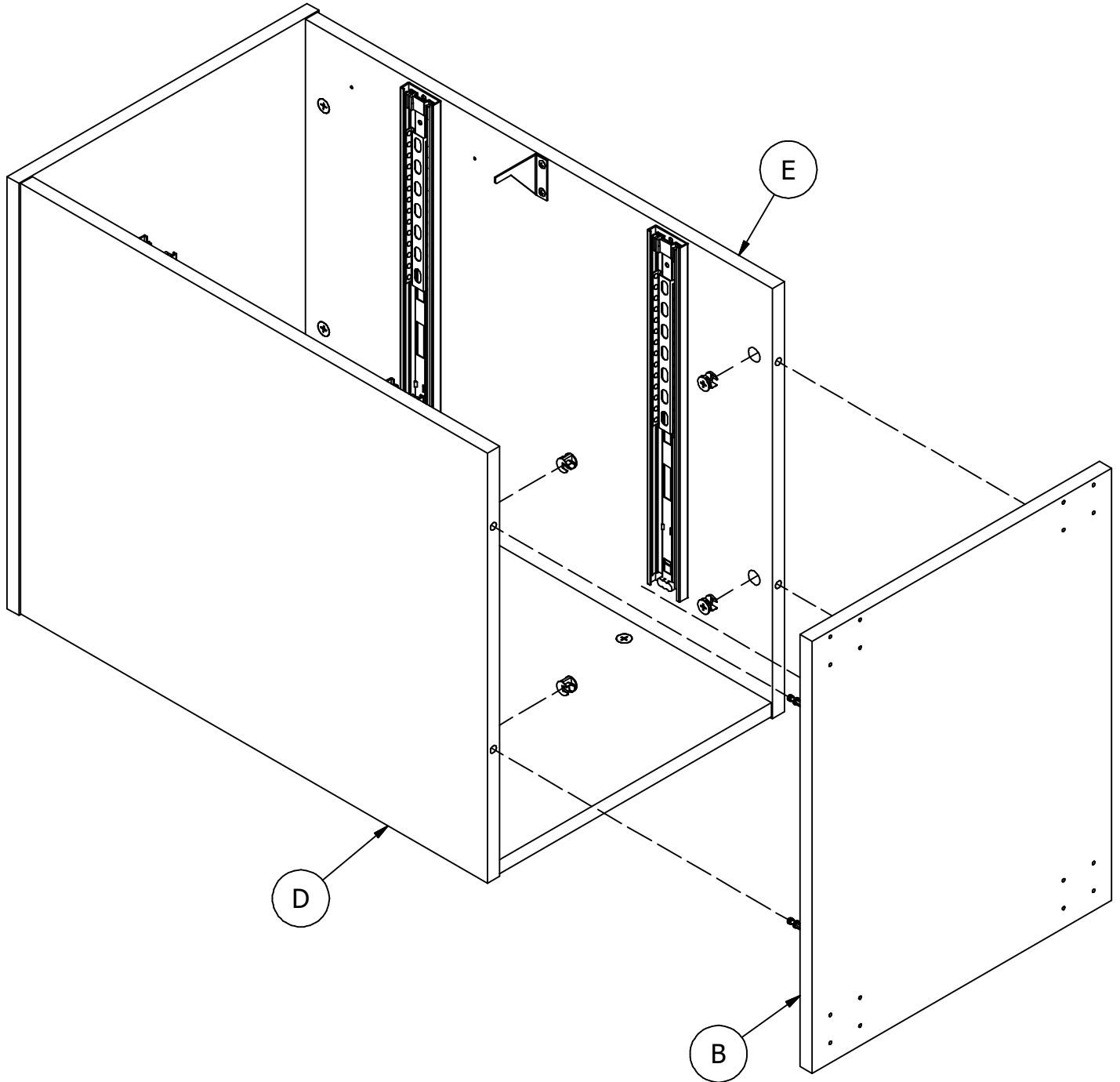
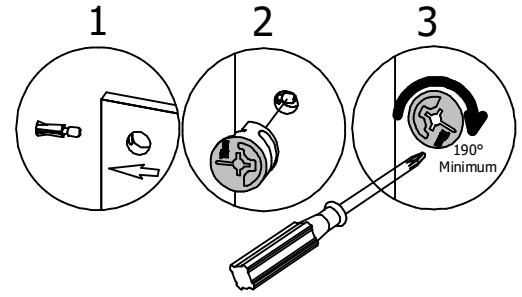
How to Tighten  
KD Cams

H71659

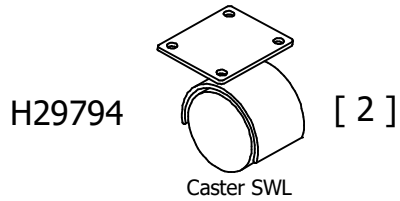


KD Cam

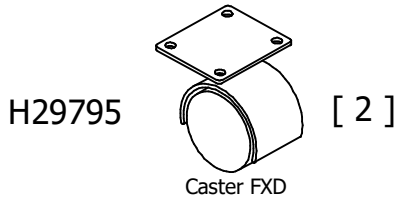
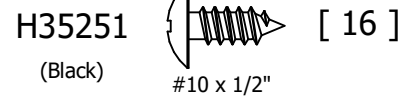
[ 4 ]



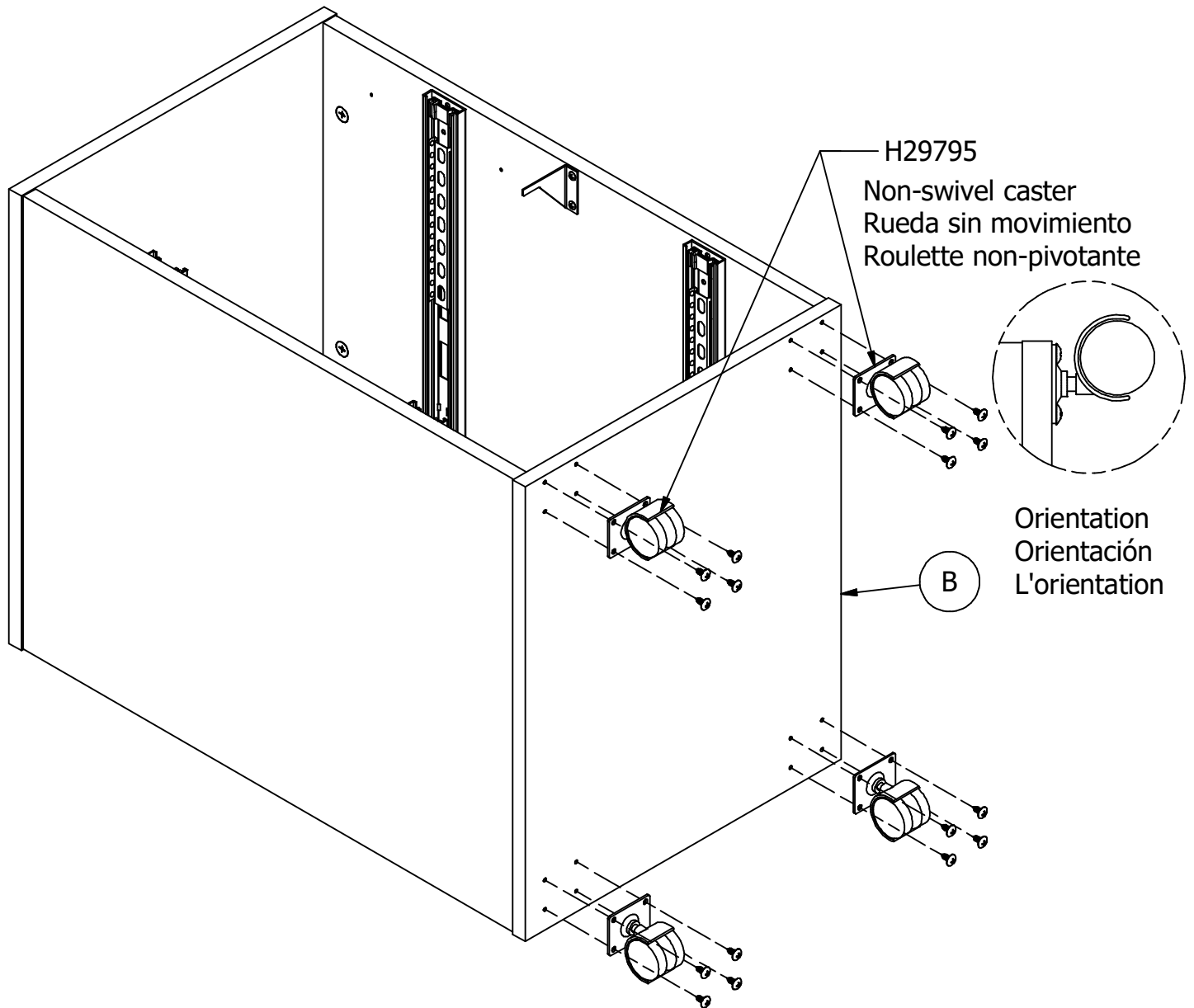
Have an assembly question or need a replacement part? Just call  
**1-800-950-4782**, we are here to help.



Swivel Caster  
Rueda movable  
Roulette pivotante



Non-swivel caster  
Rueda sin movimiento  
Roulette non-pivotante

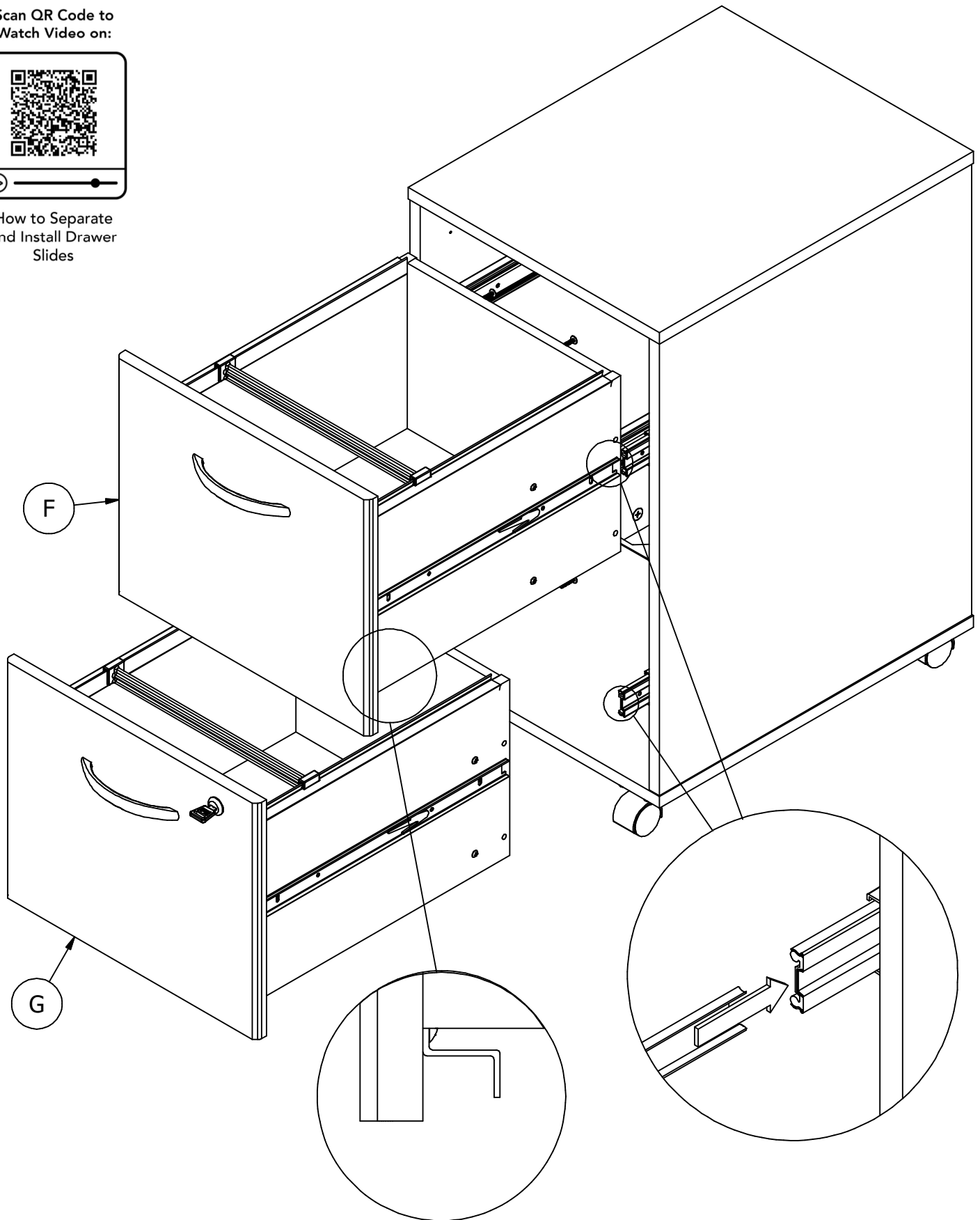


Have an assembly question or need a replacement part? Just call **1-800-950-4782**, we are here to help.

Scan QR Code to  
Watch Video on:



How to Separate  
and Install Drawer  
Slides



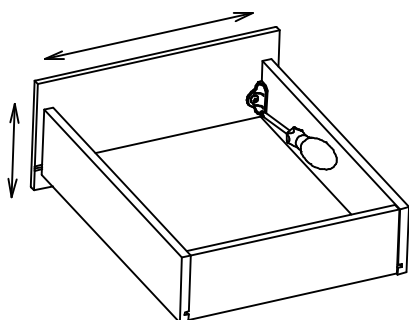
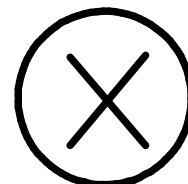
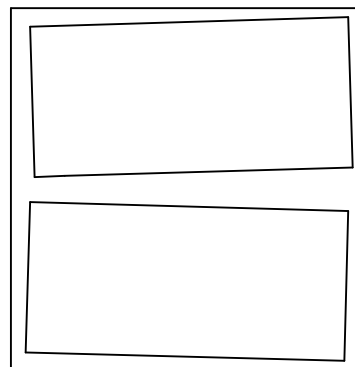
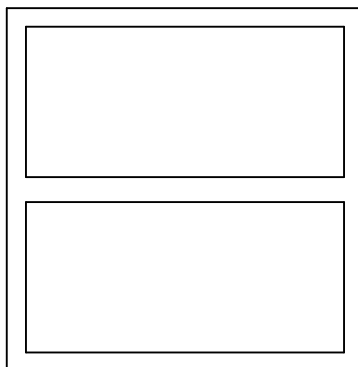
Have an assembly question or need a replacement part? Just call  
**1-800-950-4782**, we are here to help.

Scan QR Code to Watch Video on:

DRAWER FRONT VIEW

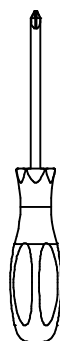
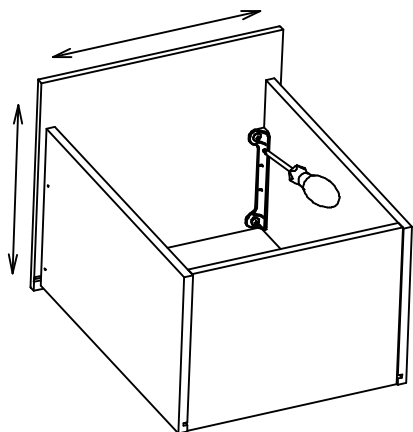


How to Adjust Drawer Fronts



REQUIRED TOOL: PHILLIPS SCREWDRIVER

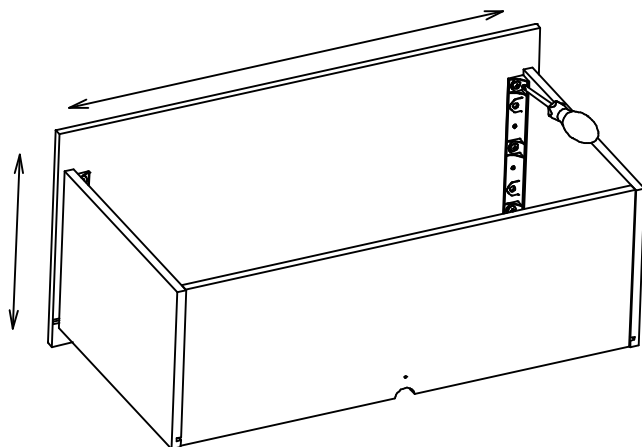
HERRAMIENTA REQUERIDA: DESTORNILLADOR PHILLIPS  
 OUTIL REQUIS: TOURNEVIS CRUCIFORME



1. LOOSEN SCREWS.
2. ADJUST DRAWER FRONTS.
3. TIGHTEN SCREWS.

1. Afloje los tornillos
2. Ajustar frentes de cajón
3. Apriete los tornillos

1. Desserrer les vis
2. Ajuster les façades des tiroirs
3. Serrer les vis



Have an assembly question or need a replacement part? Just call **1-800-950-4782**, we are here to help.



Scan QR Code to Watch Video on:

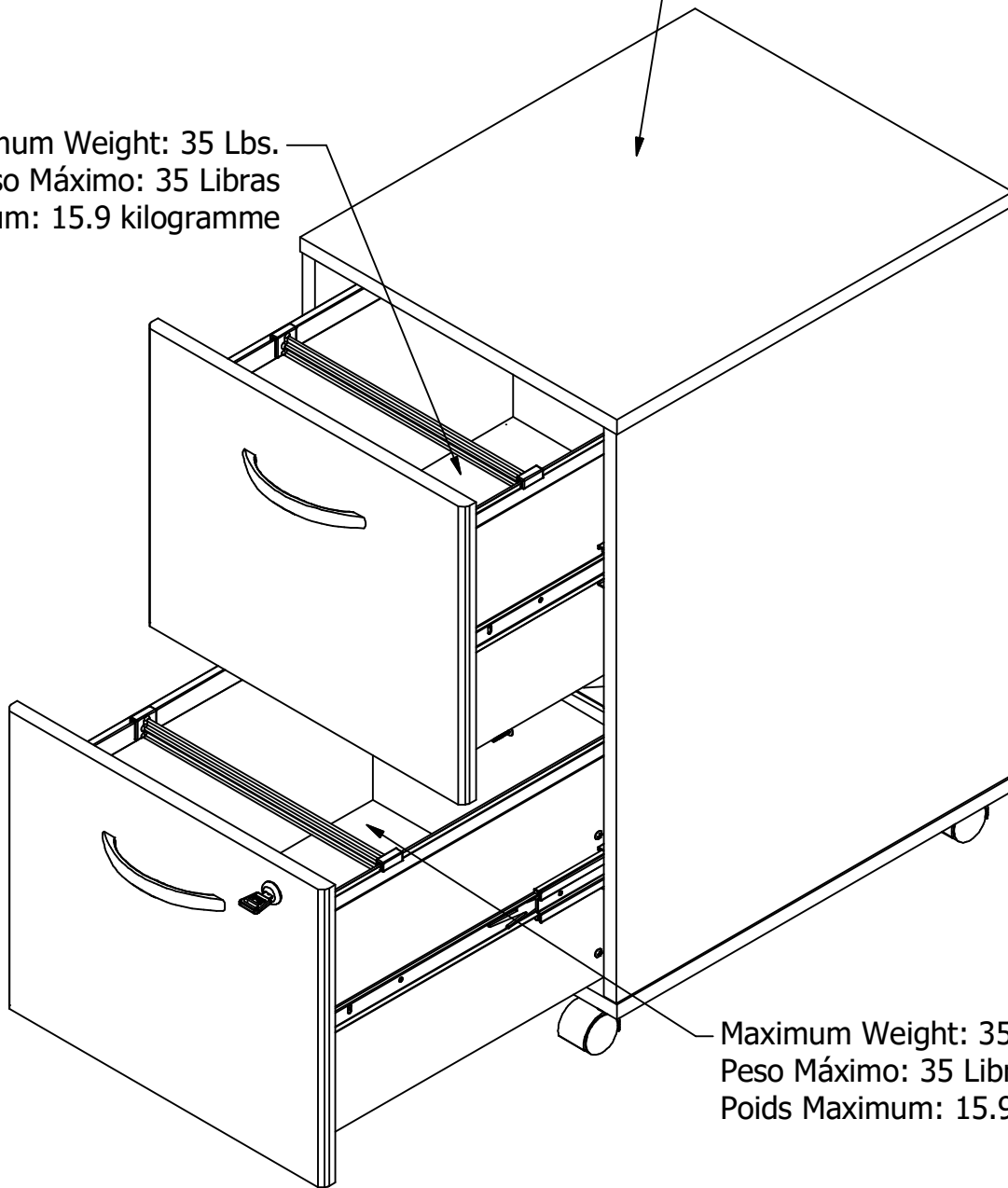


How to Clean the Surface

Gently clean surfaces with a damp sponge eraser.

Maximum Weight: 78 Lbs.  
Peso Máximo: 78 Libras  
Poids Maximum: 35.4 kilogramme

Maximum Weight: 35 Lbs.  
Peso Máximo: 35 Libras  
Poids Maximum: 15.9 kilogramme



Maximum Weight: 35 Lbs.  
Peso Máximo: 35 Libras  
Poids Maximum: 15.9 kilogramme

Congratulations! You are all done. If you have any questions or concerns, please call.

Have an assembly question or need a replacement part? Just call **1-800-950-4782**, we are here to help.

**WC12952**

A [1] W176197  
B [1] W176198  
C [1] W176201  
D [1] W194030  
E [1] W194031  
F [1] W128194  
G [1] W128195  
H [4] W192560  
I [2] W192433  
J [2] W87410

**WC14352P**

A [1] W176202  
B [1] W176203  
C [1] W176206  
D [1] W194032  
E [1] W194033  
F [1] W179117  
G [1] W179058  
H [4] W192560  
I [2] W192433  
J [2] W87410

**WC57452P**

A [1] W176202  
B [1] W176203  
C [1] W176206  
D [1] W194032  
E [1] W194033  
F [1] W179120  
G [1] W179061  
H [4] W192560  
I [2] W192433  
J [2] W87410

**WC84852P**

A [1] W176202  
B [1] W176203  
C [1] W176206  
D [1] W194032  
E [1] W194033  
F [1] W179123  
G [1] W179063  
H [4] W192560  
I [2] W192433  
J [2] W87410

**WC14552P**

A [1] W176207  
B [1] W176208  
C [1] W176211  
D [1] W194034  
E [1] W194035  
F [1] W179118  
G [1] W179059  
H [4] W192560  
I [2] W192433  
J [2] W87410

**WC24452**

A [1] W176212  
B [1] W176213  
C [1] W176216  
D [1] W194036  
E [1] W194037  
F [1] W122285  
G [1] W122286  
H [4] W192560  
I [2] W192433  
J [2] W87410

**WC48852**

A [1] W176212  
B [1] W176213  
C [1] W176216  
D [1] W194036  
E [1] W194037  
F [1] W123306  
G [1] W122936  
H [4] W192560  
I [2] W192433  
J [2] W87410

**WC72452**

A [1] W176212  
B [1] W176213  
C [1] W176216  
D [1] W194036  
E [1] W194037  
F [1] W123289  
G [1] W122972  
H [4] W192560  
I [2] W192433  
J [2] W87410

**WC24552**

A [1] W176242  
B [1] W176243  
C [1] W176246  
D [1] W194038  
E [1] W194039  
F [1] W122285  
G [1] W122286  
H [4] W192560  
I [2] W192433  
J [2] W87410

**WC36752**

A [1] W176222  
B [1] W176223  
C [1] W176226  
D [1] W194240  
E [1] W194241  
F [1] W128203  
G [1] W128204  
H [4] W192560  
I [2] W192433  
J [2] W87410

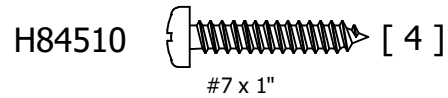
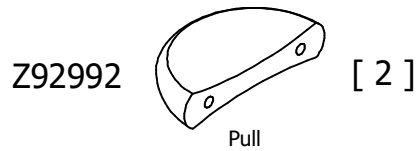
**WC60352**

A [1] W176227  
B [1] W176228  
C [1] W176231  
D [1] W194040  
E [1] W194041  
F [1] W128212  
G [1] W128213  
H [4] W192560  
I [2] W192433  
J [2] W87410

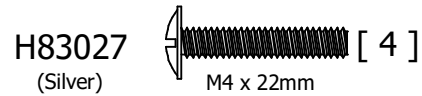
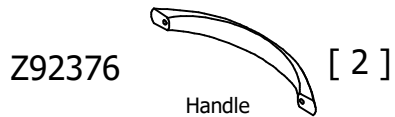
**WC94452P**

A [1] W176247  
B [1] W176248  
C [1] W176251  
D [1] W194042  
E [1] W194043  
F [1] W179125  
G [1] W179064  
H [4] W192560  
I [2] W192433  
J [2] W87410

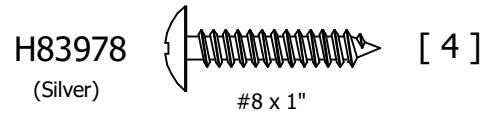
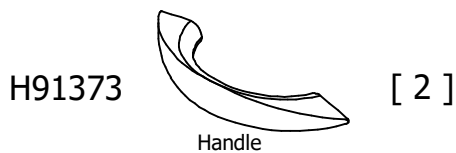
## WC57452P



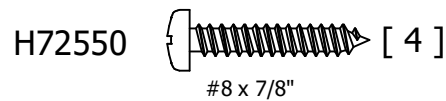
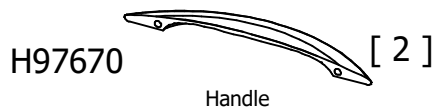
## WC24452, WC24552, WC48552, WC72452



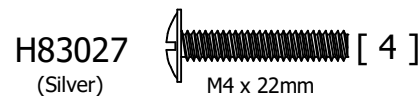
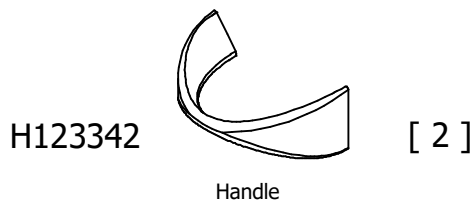
## WC14552P



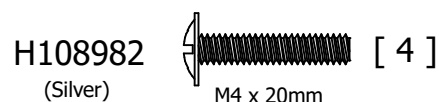
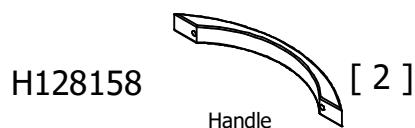
## WC84852P, WC94452P



## WC14352P



## WC12952, WC36752, WC60352



Have an assembly question or need a replacement part? Just call  
**1-800-950-4782**, we are here to help.