

Assembly Guide

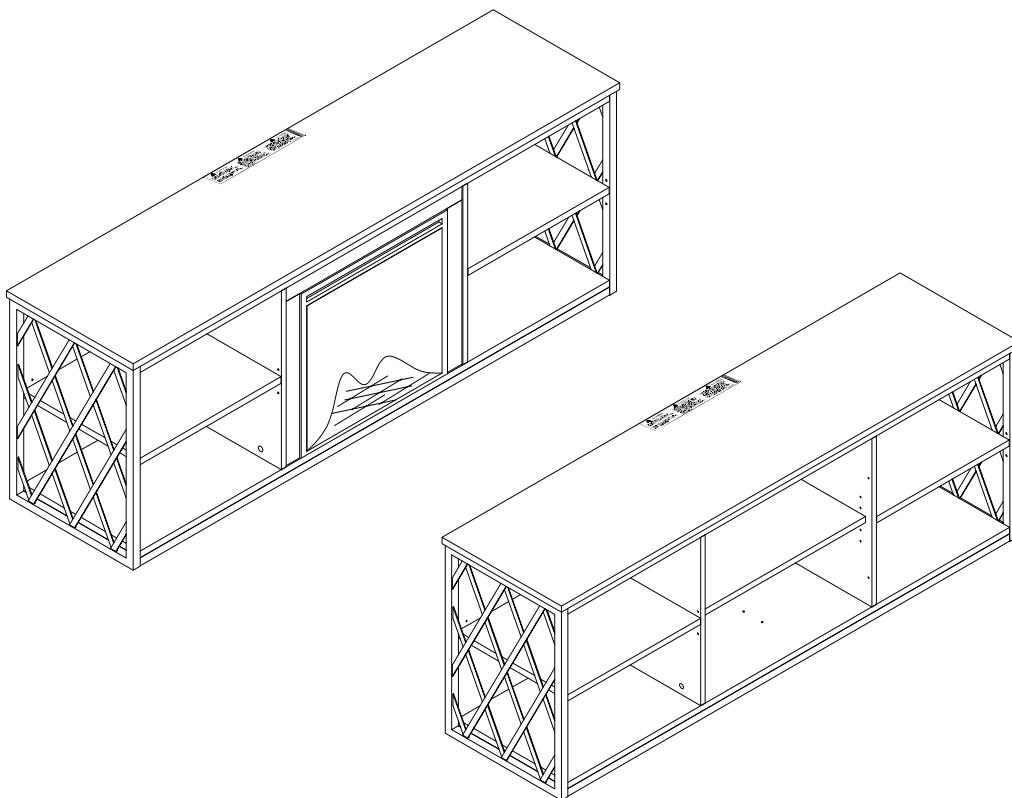


If you're having any difficulty during assembly of this product, don't hesitate to call us at **1-800-950-4782.**

Our customer service experts are trained to provide step-by-step instruction and can easily replace any missing or damaged parts.

Representatives are available Monday-Friday from 8:30 a.m. to 7:30 p.m. (ET)

60" TV Stand



Lot Code #

Part Number A203612

Keep manual for future reference.

For best results, keep these tips in mind:

- ① We know you want to finish this assembly as quickly as possible, but trust us: you'll have a better experience if you take it one step at a time.
- ② Give yourself some room to work near where you want the fully assembled product.
- ③ If your floor isn't carpeted, assemble this product on the empty carton to avoid scratching.
- ④ Do you have a friend who owes you a favor? Some steps may go a little easier with a second set of hands.

DOs

- ✔ Use a #2 Phillips head screwdriver (or other handheld tools as indicated)
- ✔ Wear safety glasses at all times during assembly
- ✔ Carefully follow the instructions in this guide and complete all steps in order
- ✔ Give us a call if you're having trouble with a particularly tricky step

DON'Ts

- ✘ We know power tools are quick and easy, but you shouldn't use them when assembling this product (unless otherwise specified)
- ✘ Never move your furniture with items inside or resting on the surface
- ✘ Do not attempt to use this product before all steps have been completed

**Watch assembly videos right on your phone or computer!**

Some steps include QR codes that link to helpful videos. Watch out for the icon on the left! Simply open up your smartphone camera to scan the code.

(Users of older smartphones may need to install a QR Reader.)

SCAN HERE**FOR VIDEOS**

Or visit <https://www.bushfurniture.com/CustomerService/HowtoAssemble.aspx>

IMPORTANT SAFETY INFORMATION



PLEASE READ WARNINGS

Improper use can cause safety hazards, or damage to your furniture and household items.

Warning	Do	Don't	Why it's important
Serious injury or death may occur.	<ul style="list-style-type: none">• Only place flat screen TVs on this product• Assemble following all instructions using all indicated parts and hardware provided.• For use with televisions weighing 80 lbs (36.3 kg) or less and having a diagonal screen size of 70 inches (1778mm) or less• Install every indicated nail and/or screw.• Verify Furniture is stable on it's own.• Place heaviest items in the lower drawers or shelves.• Always install tipover restraint hardware provided.• Remove items that might tempt kids to climb, such as toys and remote controls from the top and upper shelves of furniture.	<ul style="list-style-type: none">• Do not move unit when loaded.• Do not exceed the maximum load limits stated in the instructions.• Do not allow children to stand, climb, or hand on furniture.	Improper assembly, use or loading can lead to product instability, tip-over or collapse.
Equipment damage may occur.	<ul style="list-style-type: none">• Remove vent hole punch outs to provide adequate cooling of electronic equipment	<ul style="list-style-type: none">• DO NOT store electronic equipment on nonvented or closed shelves.	Restricted or insufficient airflow may result in electronic equipment overheating and damage.

IMPORTANT SAFETY INFORMATION



PLEASE READ WARNINGS

Improper use can cause safety hazards, or damage to your furniture and household items.

Advertencia	Hacer	No	Por qué es importante
Se pueden producir lesiones graves o la muerte.	<ul style="list-style-type: none">• Solo coloque televisores de pantalla plana en este producto.• Ensamble siguiendo todas las instrucciones utilizando todas las piezas y hardware indicados provistos.• Para usar con televisores que pesen 80 lbs (36.3 kg) o menos y que tengan un tamaño de pantalla diagonal de 70 pulgadas (1778 mm) o menos.• Instale cada clavo y / o tornillo indicado.• Verifique que los muebles sean estables por sí mismos.• Coloque los artículos más pesados en los cajones o estantes inferiores.• Siempre instale el hardware de restricción tipover proporcionado.• Retire los artículos que puedan tentar a los niños a trepar, como juguetes y controles remotos de los estantes superiores y superiores de los muebles.	<ul style="list-style-type: none">• No mueva la unidad cuando esté cargada.• No exceda los límites máximos de carga establecidos en las instrucciones.• No permita que los niños se paren, trepen o toquen los muebles.	El ensamblaje, uso o carga inadecuados pueden provocar inestabilidad del producto, vuelco o colapso.
Se puede dañar el equipo.	<ul style="list-style-type: none">• Retire el perforador de ventilación outs para proporcionar adecuada enfriamiento de electrónica equipo.	<ul style="list-style-type: none">• NO almacene productos electrónicos equipo en no ventilado o estantes cerrados.	Flujo de aire restringido o insuficiente puede resultar en equipos electrónicos sobrecalentamiento y daños.

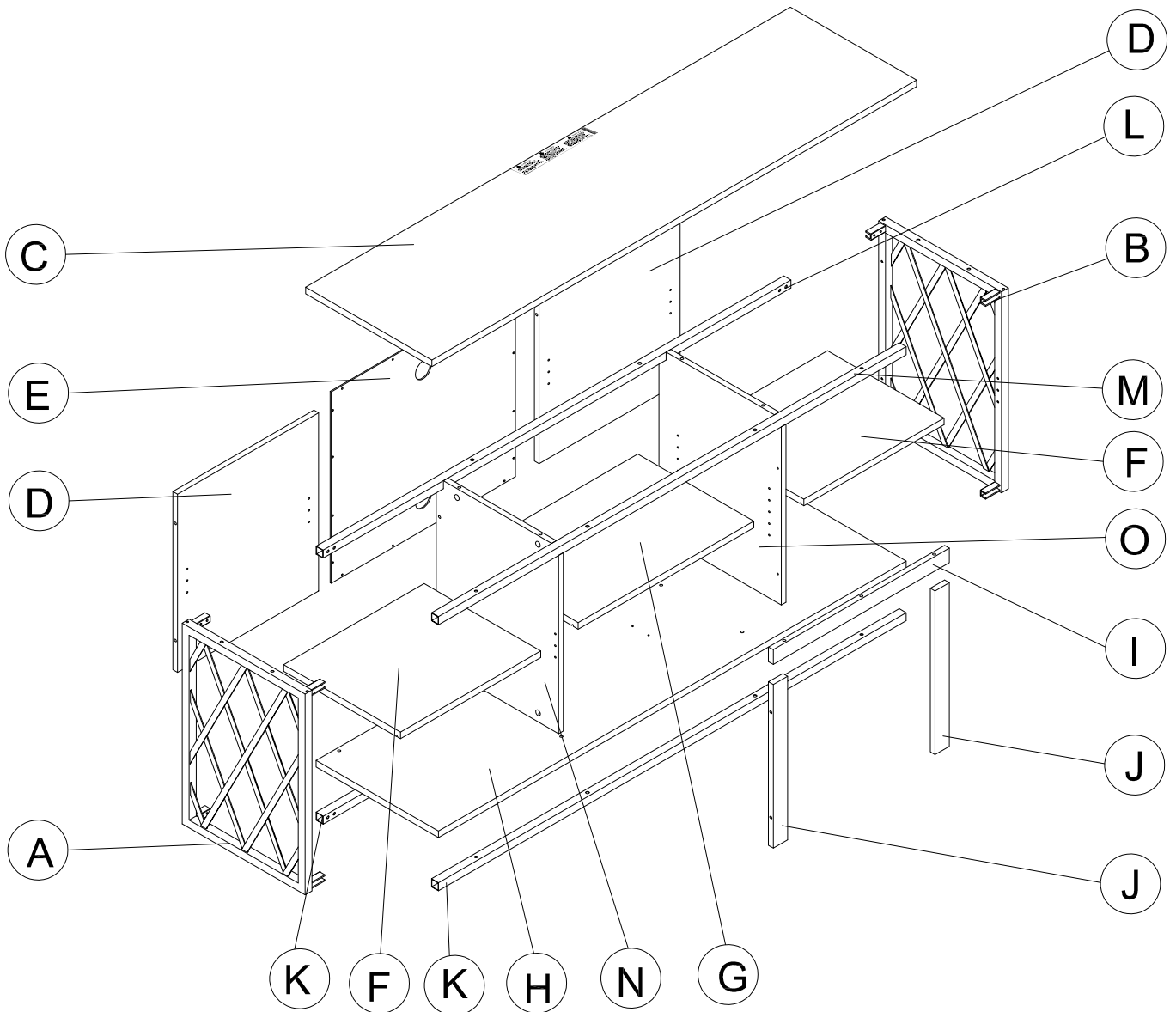
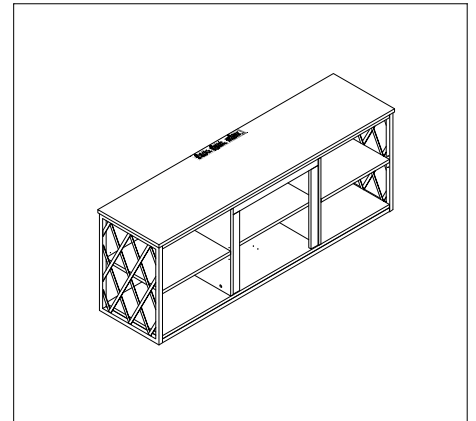
IMPORTANT SAFETY INFORMATION



PLEASE READ WARNINGS

Improper use can cause safety hazards, or damage to your furniture and household items.

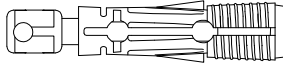
Avertissement	Faire	Ne le fais pas	Pourquoi c'est important
Des blessures graves ou la mort peuvent survenir.	<ul style="list-style-type: none">Placez uniquement des téléviseurs à écran plat sur ce produit.Assemblez en suivant toutes les instructions en utilisant toutes les pièces et le matériel indiqués fournis.Para usar con televisores que pesen 80 lbs (36.3 kg) o menos y que tengan un tamaño de pantalla diagonal de 70 pulgadas (1778 mm) o menos.Installez tous les clous et / ou vis indiqués.Vérifiez que les meubles sont stables par eux-mêmes.Placez les articles les plus lourds dans les tiroirs ou les étagères inférieurs.Installez toujours le matériel de retenue de renversement fourni.Retirez les éléments qui pourraient inciter les enfants à grimper, tels que les jouets et les télécommandes des étagères supérieure et supérieure des meubles.	<ul style="list-style-type: none">Ne déplacez pas l'unité lorsqu'elle est chargée.Ne dépassez pas les limites de charge maximales indiquées dans les instructions.Ne laissez pas les enfants se tenir debout, grimper ou mettre la main sur des meubles.	Un assemblage, une utilisation ou un chargement incorrects peuvent entraîner une instabilité du produit, un renversement ou un effondrement.
Des dommages matériels peuvent survenir.	<ul style="list-style-type: none">Retirez les perforations des trous de ventilation pour assurer un refroidissement adéquat de l'équipement électronique.	<ul style="list-style-type: none">NE PAS stocker d'équipement électronique sur des étagères non ventilées ou fermées.	Un débit d'air restreint ou insuffisant peut entraîner une surchauffe de l'équipement électronique et des dommages.



Have an assembly question or need a replacement part? Just call
1-800-950-4782, we are here to help.

Fasteners are shown actual size.

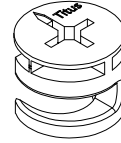
H166336



[16]

Quick Connect

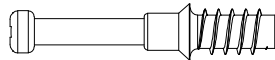
H181468



[27]

KD Cam

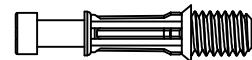
H180604



[4]

KD Bolt

H91643



[7]

KD Bolt

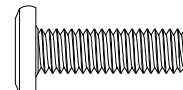
H203629



[18]

M6 x 35mm

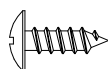
H203631



[16]

M6 x 20mm

H192100



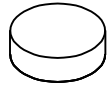
[22]

#8 x 1/2"

Have an assembly question or need a replacement part? Just call
1-800-950-4782, we are here to help.

Hardware not to scale.

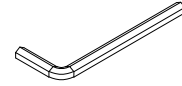
H189286



[4]

Ø18x5mm Felt Foot

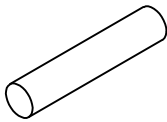
H145867



[1]

4mm Allen Wrench

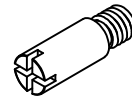
H23604



[10]

Shelf Pin

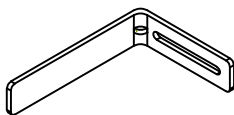
H203642



[2]

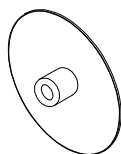
Shelf Pin

H204592



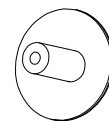
[3]

L Bracket



[8]

Cover Cap



[4]

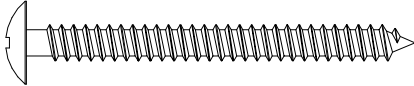
Hole Plug 5mm


Have an assembly question or need a replacement part? Just call
1-800-950-4782, we are here to help.

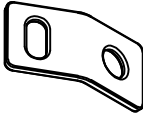
Hardware not to scale.

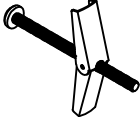
TIP OVER RESTRAINT HARDWARE

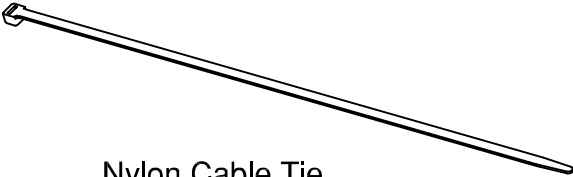
Q203419

H181434  [1]
#10x2"

H107572  [1]
#8x1-1/2"

H181412  [2]
Connecting Plate

H181419  [1]
Toggle Bolt

H181411  [1]
Nylon Cable Tie

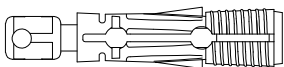
Have an assembly question or need a replacement part? Just call
1-800-950-4782, we are here to help.

STEP 1

Prepare Panels

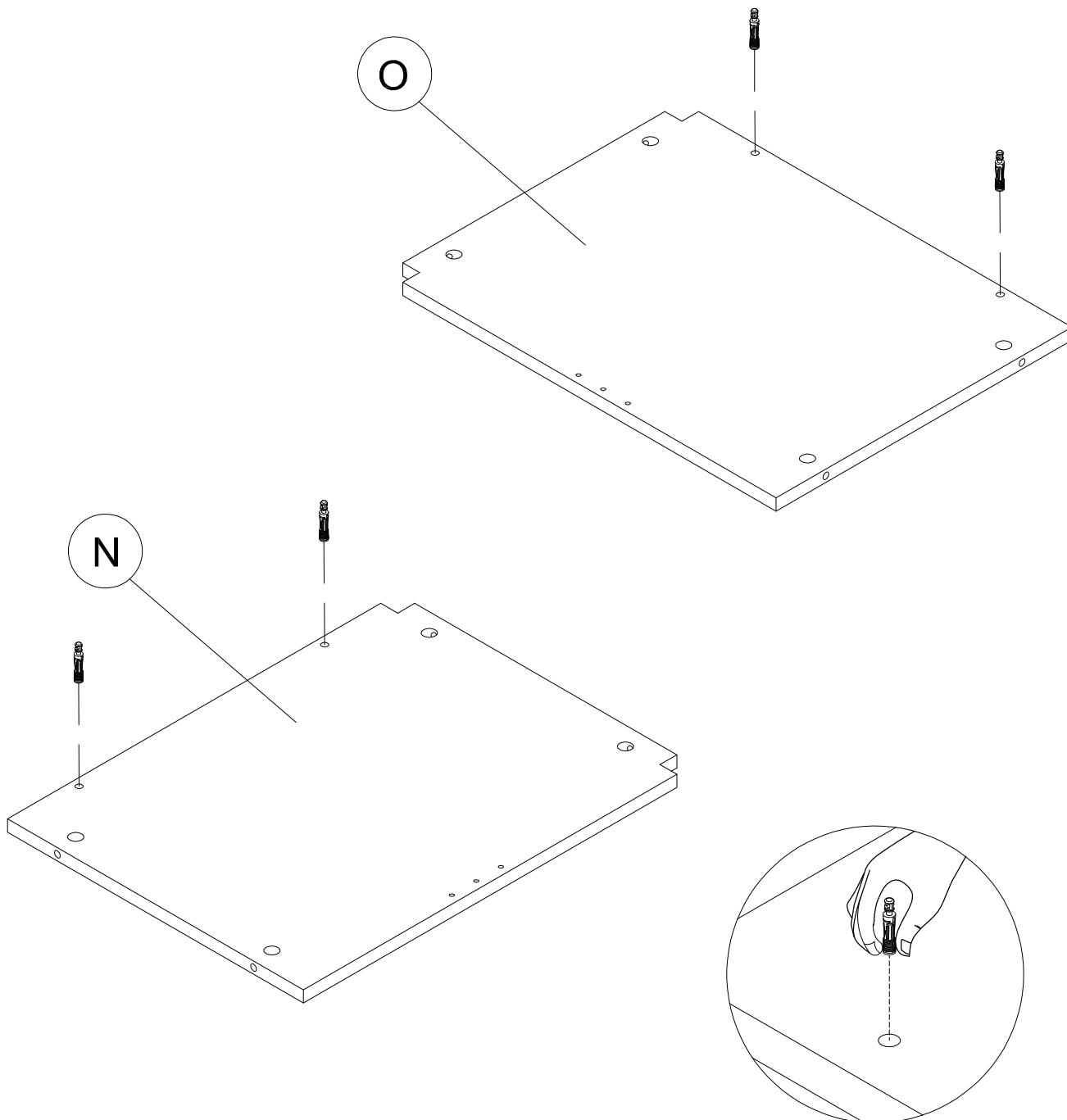
A203612

H166336



[4]

Quick Connect



Have an assembly question or need a replacement part? Just call
1-800-950-4782, we are here to help.

STEP 2

Assemble Panels

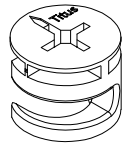
A203612

Scan QR Code to Watch Video on:



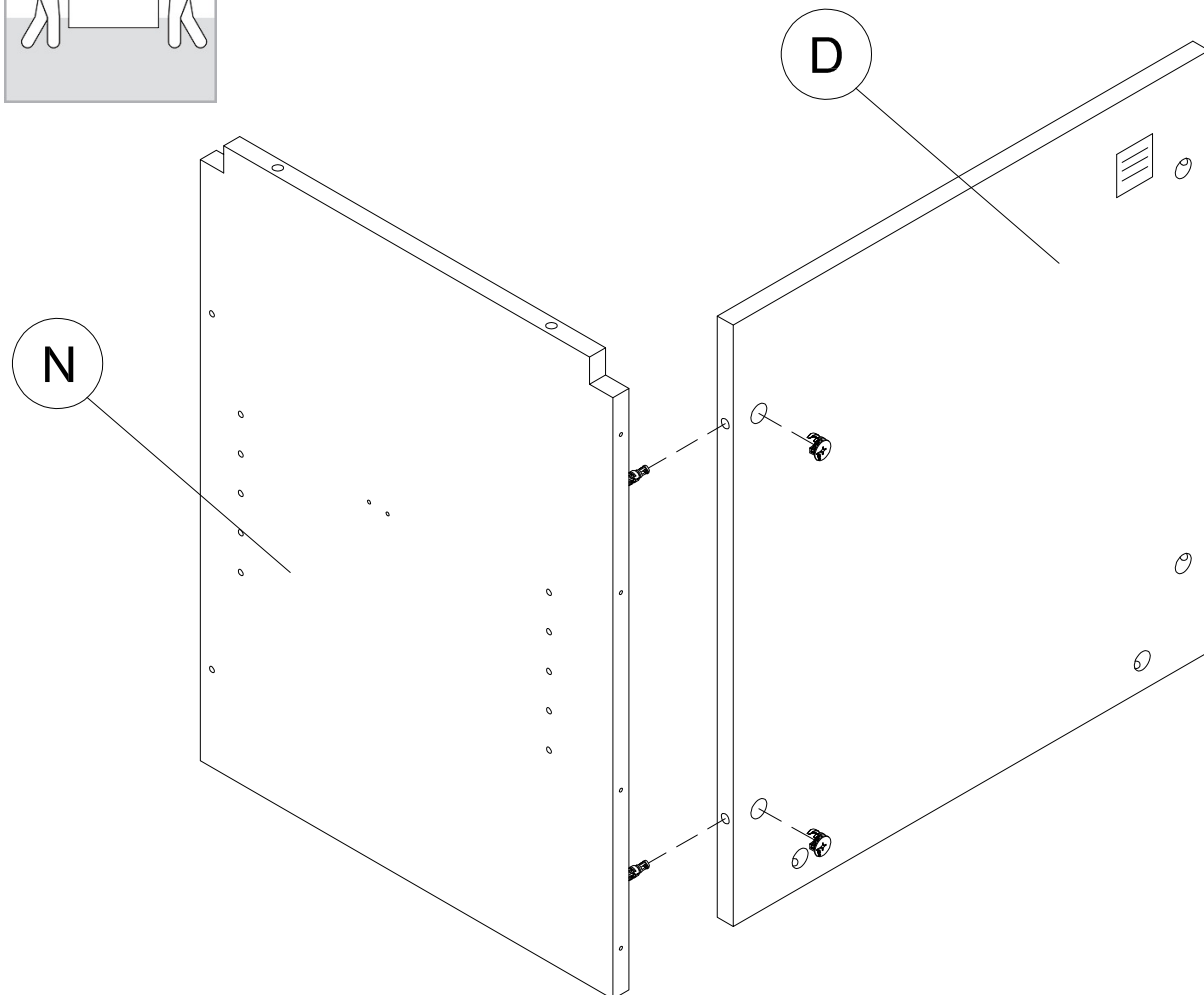
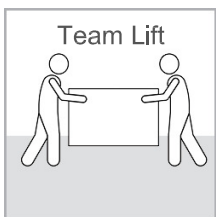
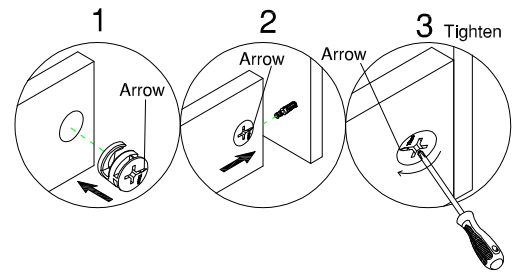
How to Tighten KD Cams

H181468



KD Cam

[2]



Have an assembly question or need a replacement part? Just call **1-800-950-4782**, we are here to help.

STEP 3

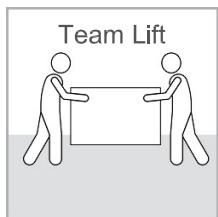
Assemble Panels

A203612

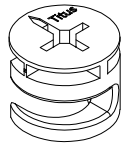
Scan QR Code to Watch Video on:



How to Tighten KD Cams

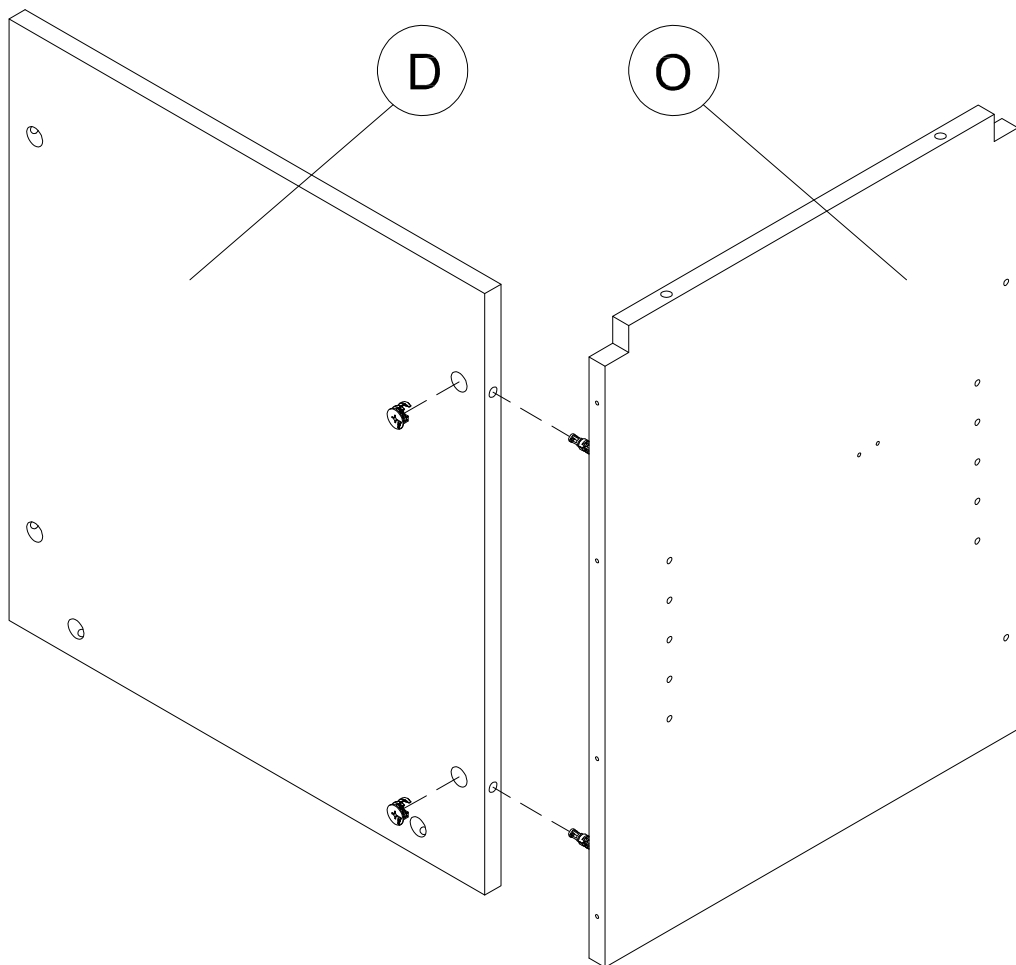
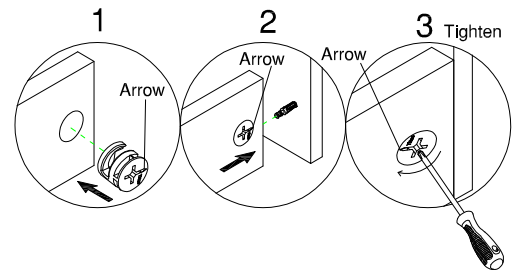


H181468



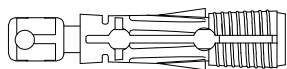
KD Cam

[2]



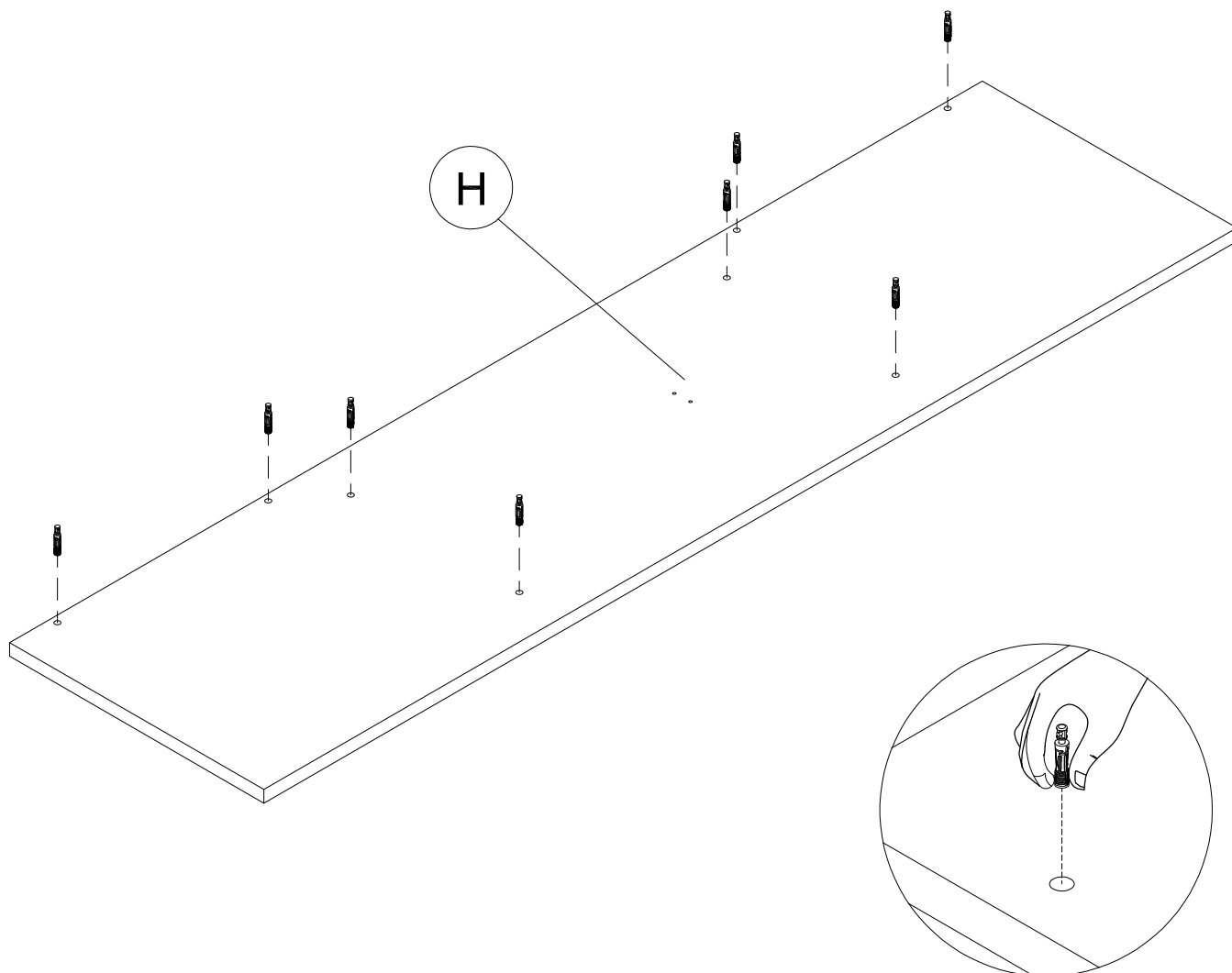
Have an assembly question or need a replacement part? Just call **1-800-950-4782**, we are here to help.

H166336



[8]

Quick Connect



Have an assembly question or need a replacement part? Just call
1-800-950-4782, we are here to help.

STEP 5

Assemble Panels

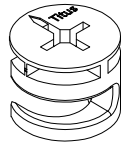
A203612

Scan QR Code to Watch Video on:



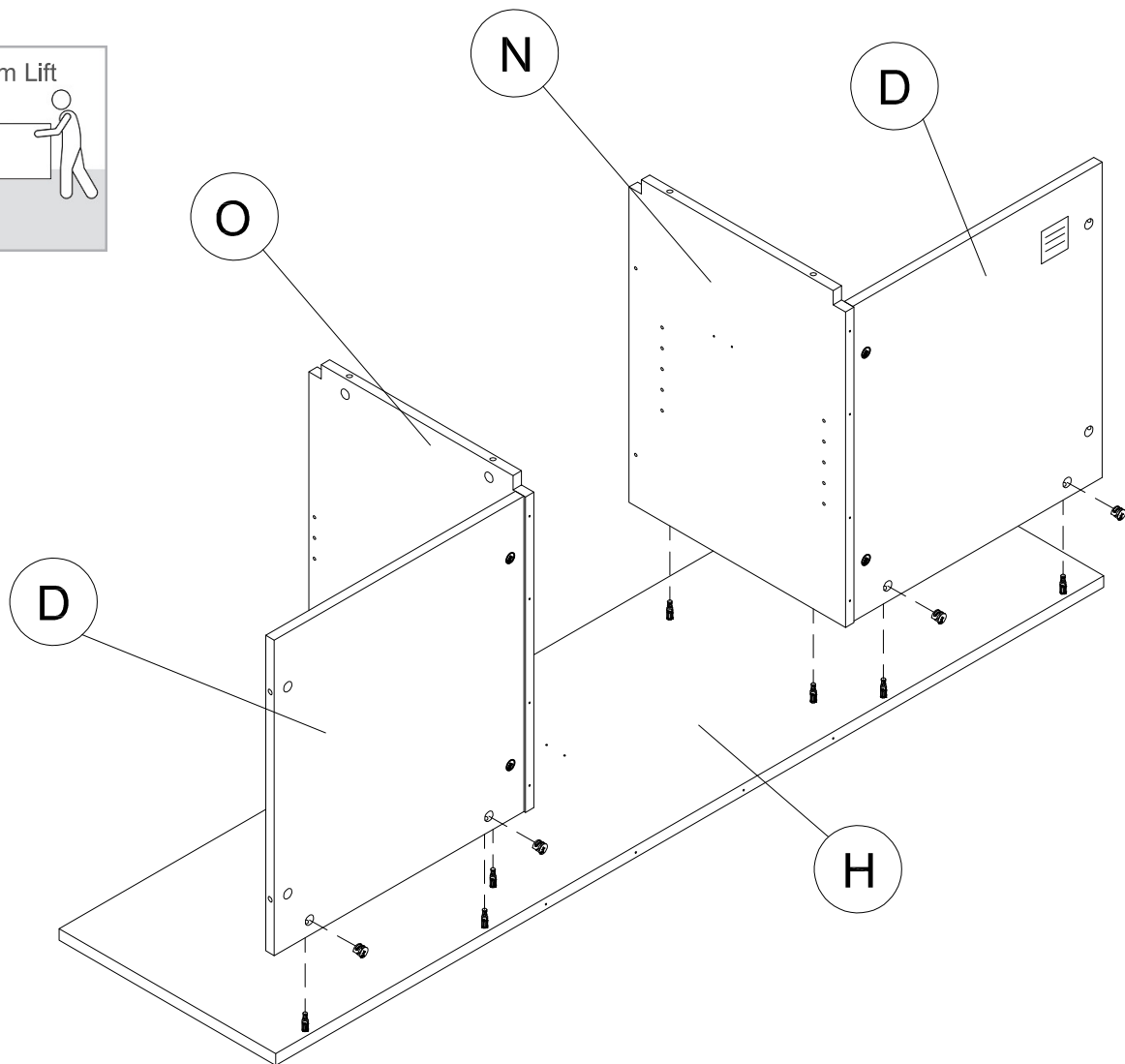
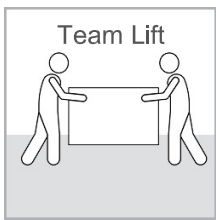
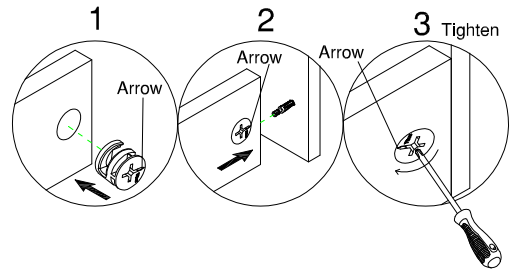
How to Tighten KD Cams

H181468



[4]

KD Cam



Have an assembly question or need a replacement part? Just call **1-800-950-4782**, we are here to help.

STEP 6

Assemble Panels

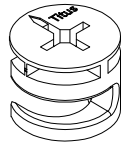
A203612

Scan QR Code to Watch Video on:



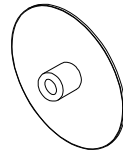
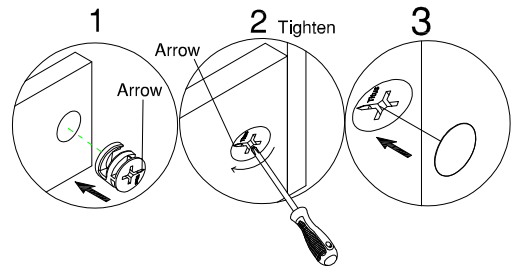
How to Tighten KD Cams

H181468



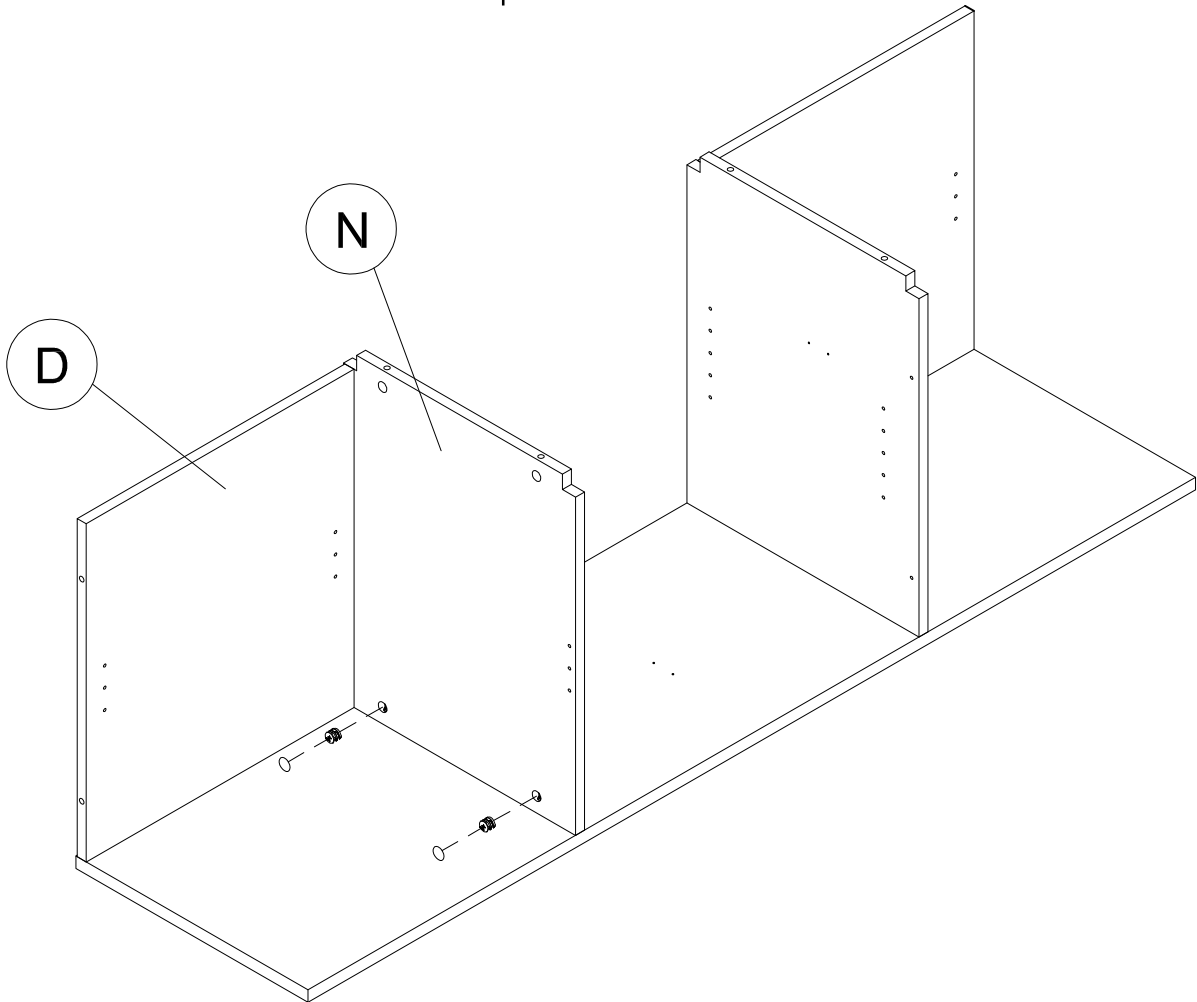
[2]

KD Cam



[2]

Cover Cap



Have an assembly question or need a replacement part? Just call **1-800-950-4782**, we are here to help.

STEP 7

Assemble Panels

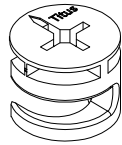
A203612

Scan QR Code to Watch Video on:



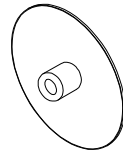
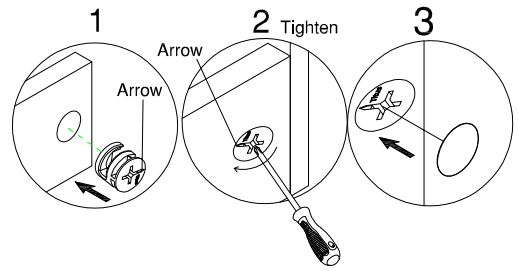
How to Tighten KD Cams

H181468



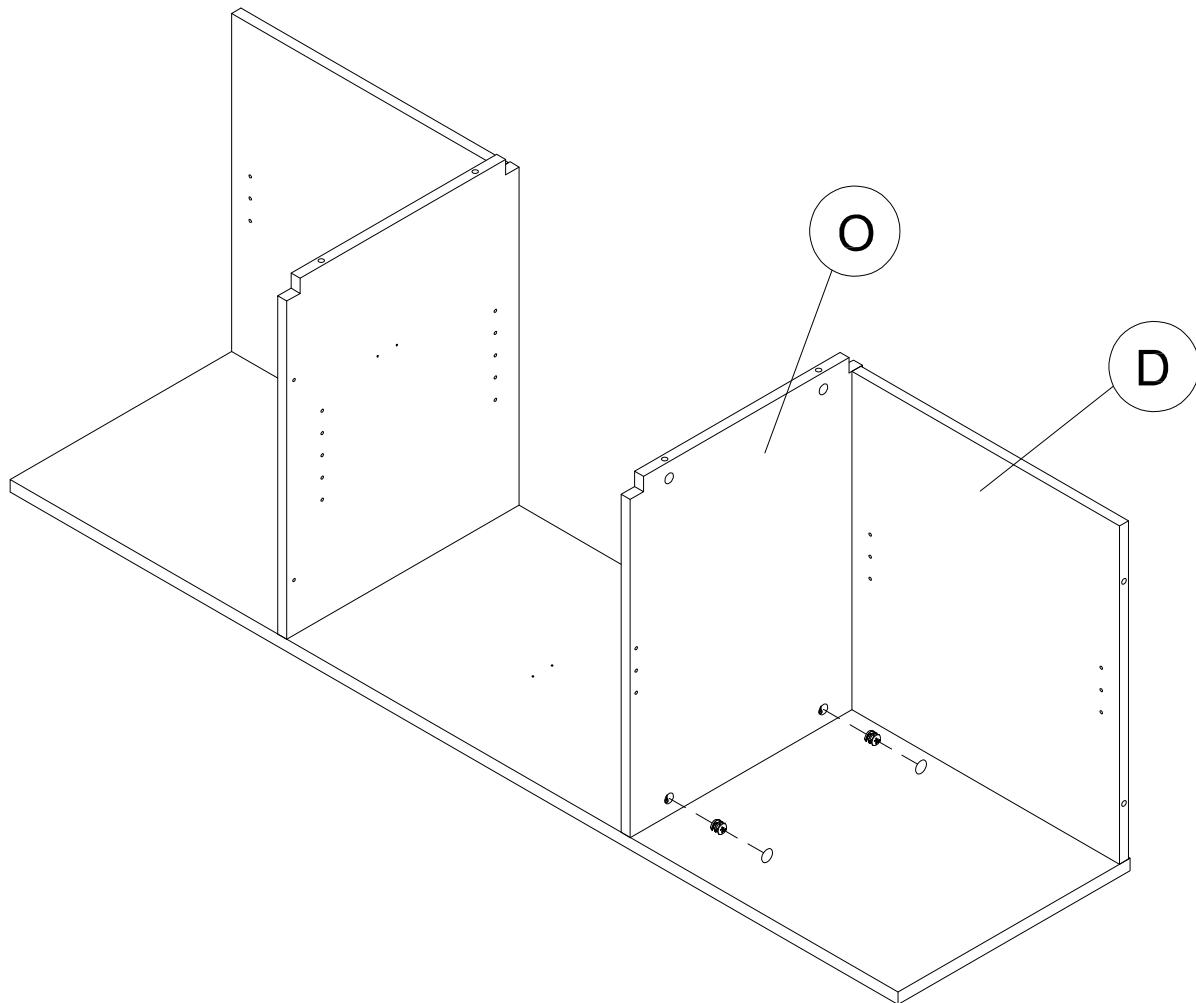
[2]

KD Cam



[2]

Cover Cap

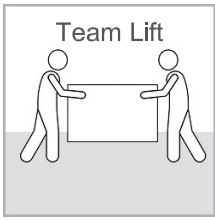


Have an assembly question or need a replacement part? Just call **1-800-950-4782**, we are here to help.

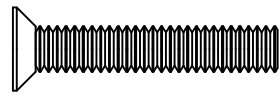
STEP 8

Assemble Panels

A203612



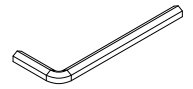
H203629



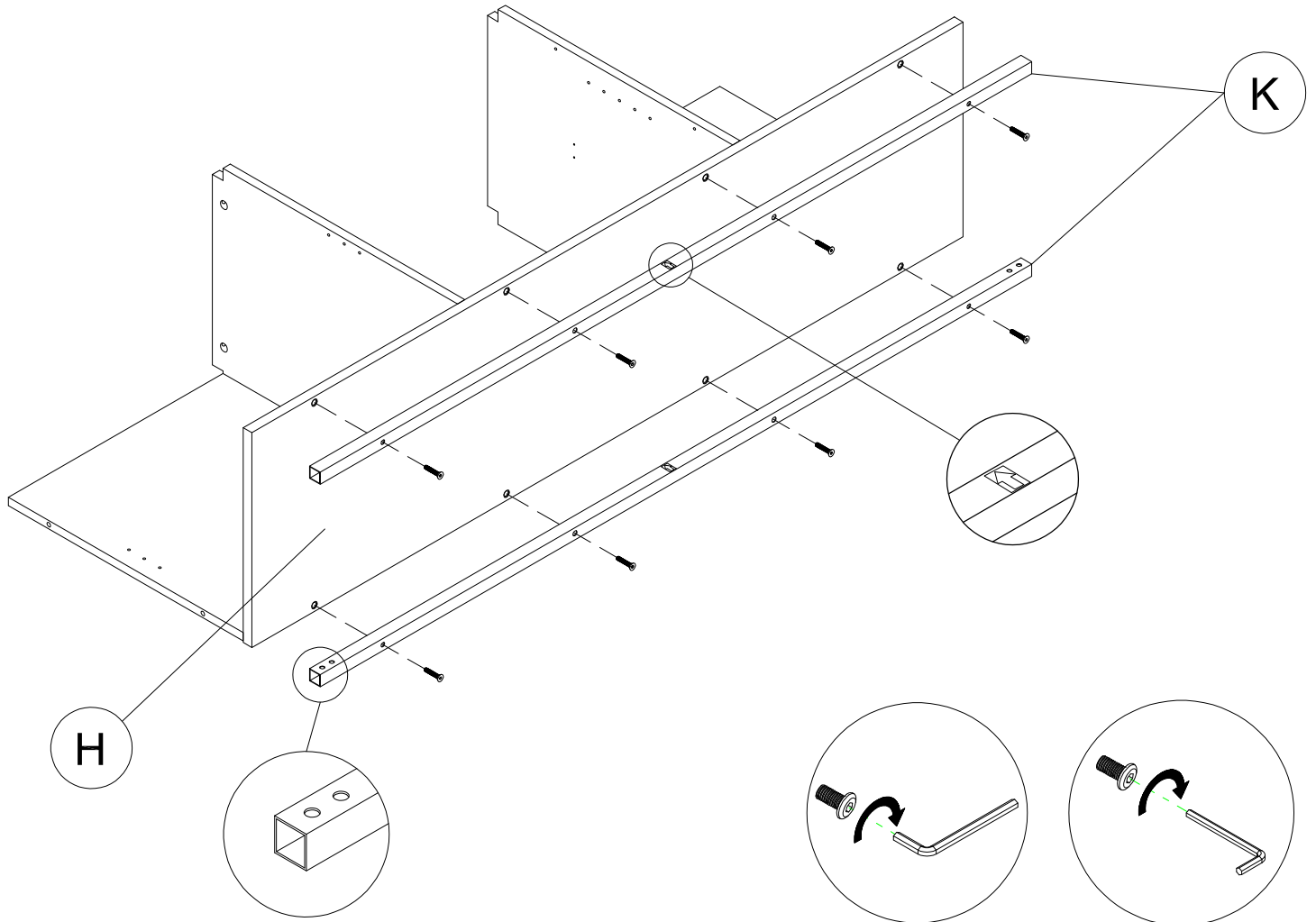
[8]

M6 x 35mm

H145867



4mm Allen Wrench



Do not fully tighten.
No apriete completamente.
Ne pas viser a fond.

Have an assembly question or need a replacement part? Just call
1-800-950-4782, we are here to help.

STEP 9

Prepare Frame

A203612

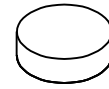
H91643



[2]

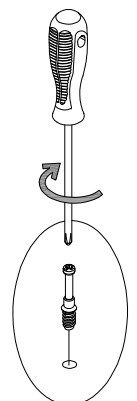
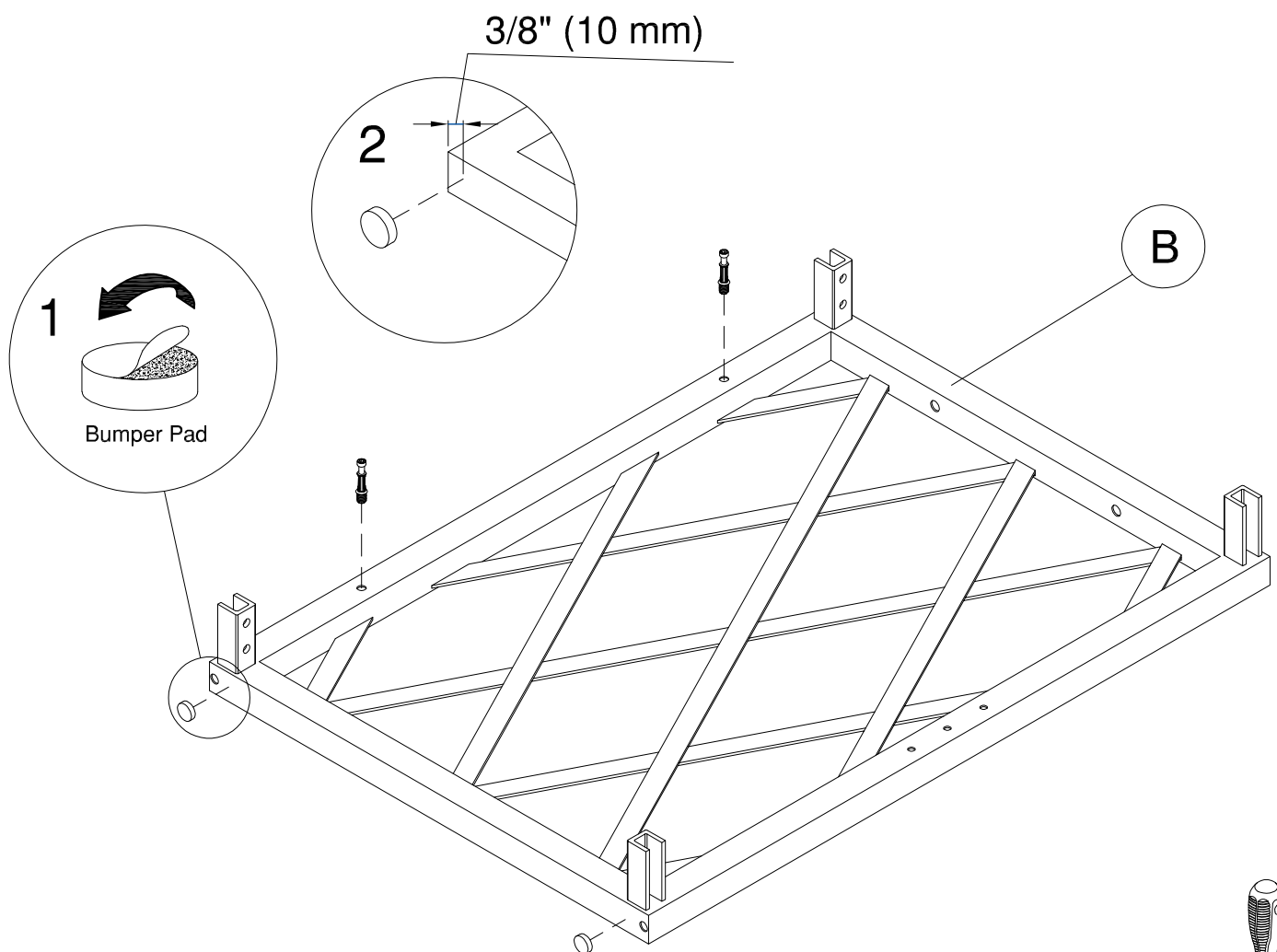
KD Bolt

H189286



[2]

Ø18x5mm Felt Foot

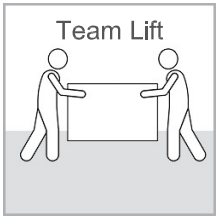


Have an assembly question or need a replacement part? Just call **1-800-950-4782**, we are here to help.

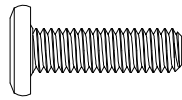
STEP 10

Assemble Panels

A203612



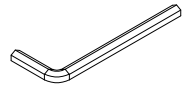
H203631



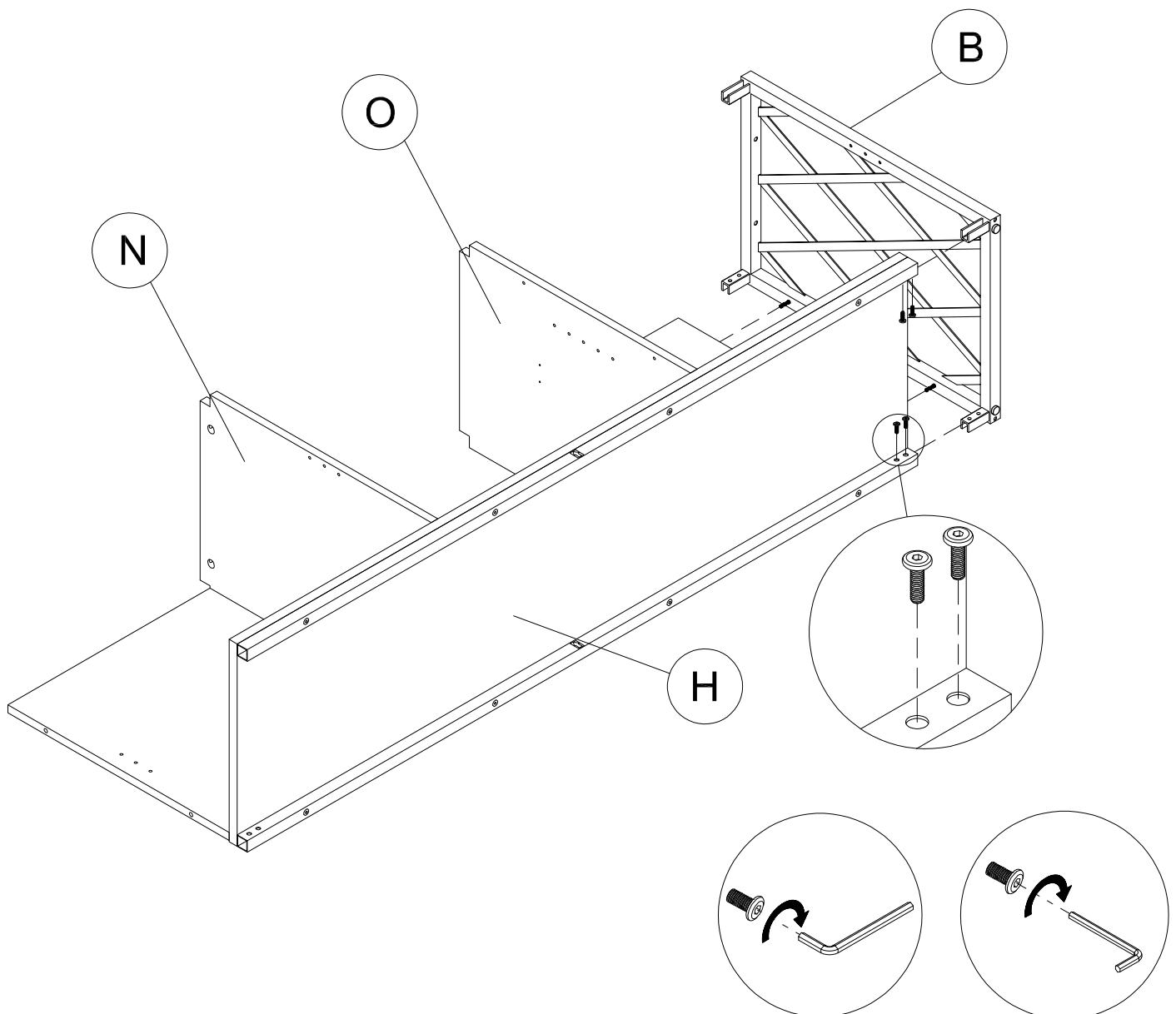
[4]

M6 x 20mm

H145867



4mm Allen Wrench



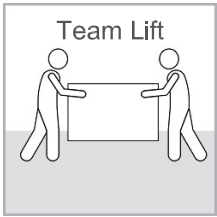
Do not fully tighten.
No apriete completamente.
Ne pas viser a fond.

Have an assembly question or need a replacement part? Just call
1-800-950-4782, we are here to help.

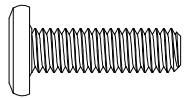
STEP 11

Assemble Panels

A203612



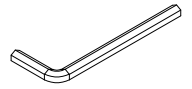
H203631



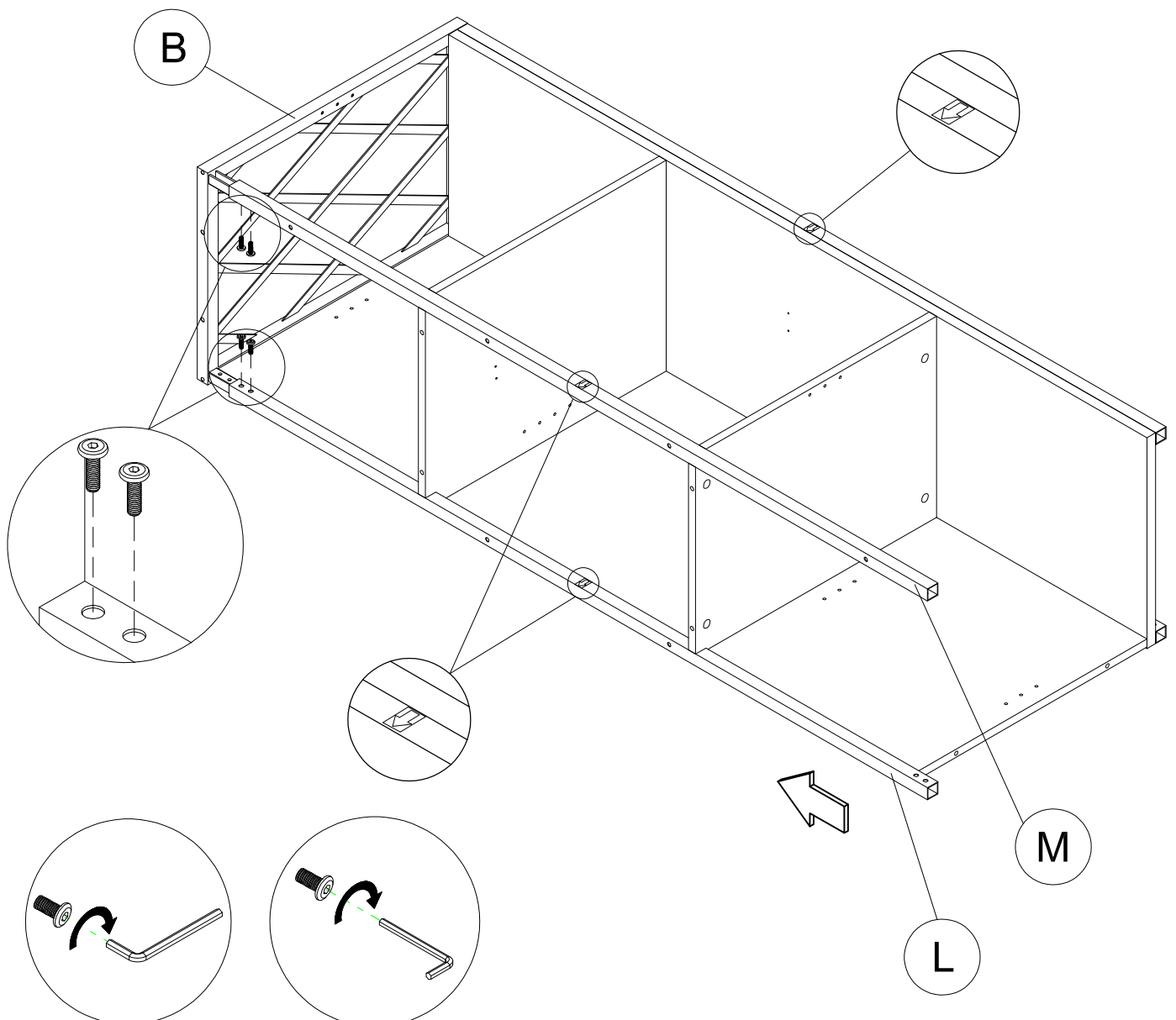
[4]

M6 x 20mm

H145867



4mm Allen Wrench



Do not fully tighten.
No apriete completamente.
Ne pas viser a fond.

Have an assembly question or need a replacement part? Just call
1-800-950-4782, we are here to help.

STEP 12

Prepare Frame

A203612

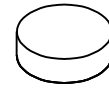
H91643



[2]

KD Bolt

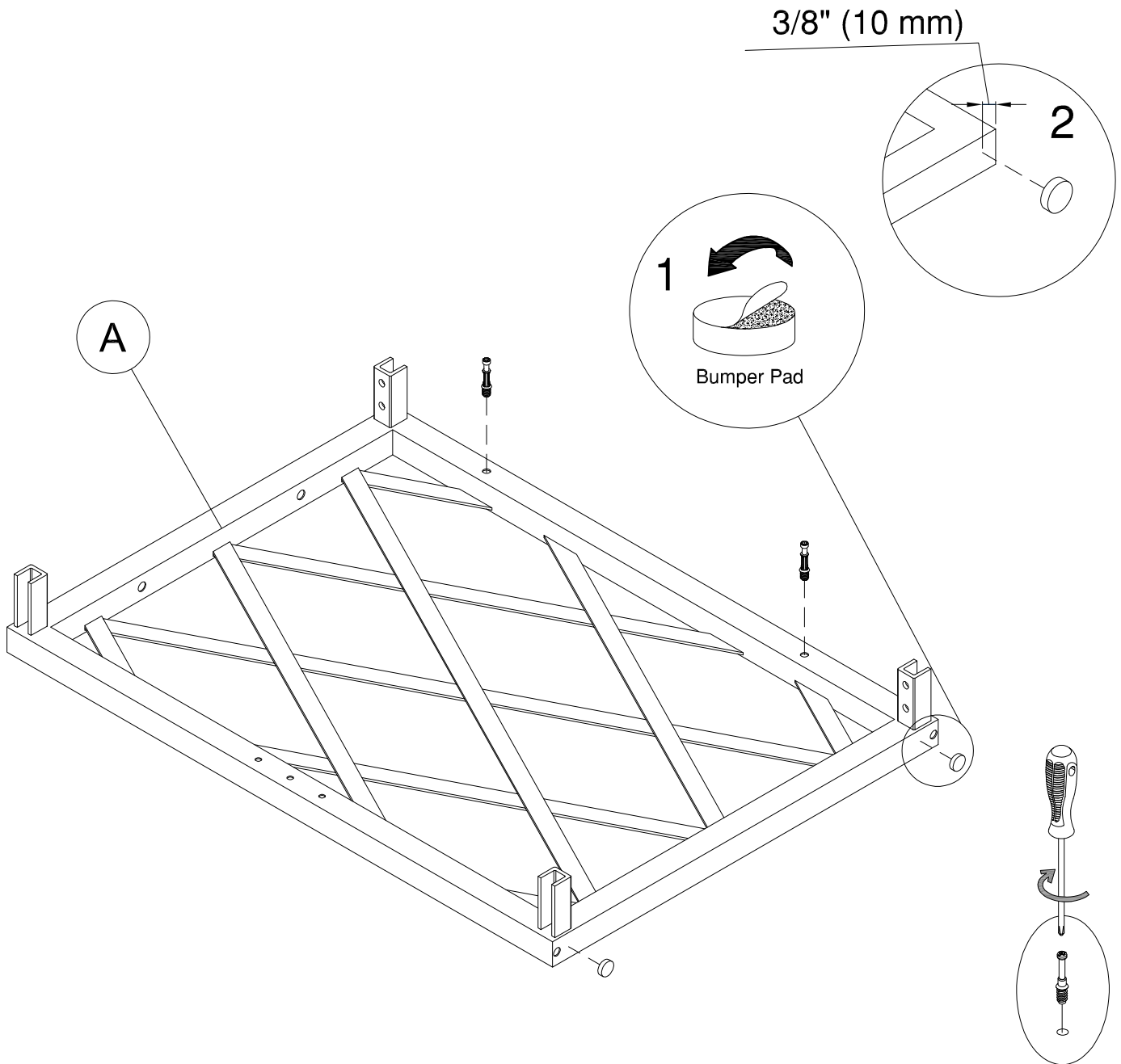
H189286



[2]

Ø18x5mm Felt Foot

3/8" (10 mm)

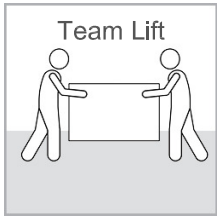


Have an assembly question or need a replacement part? Just call
1-800-950-4782, we are here to help.

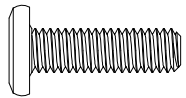
STEP 13

Assemble Panels

A203612



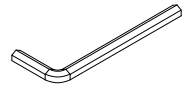
H203631



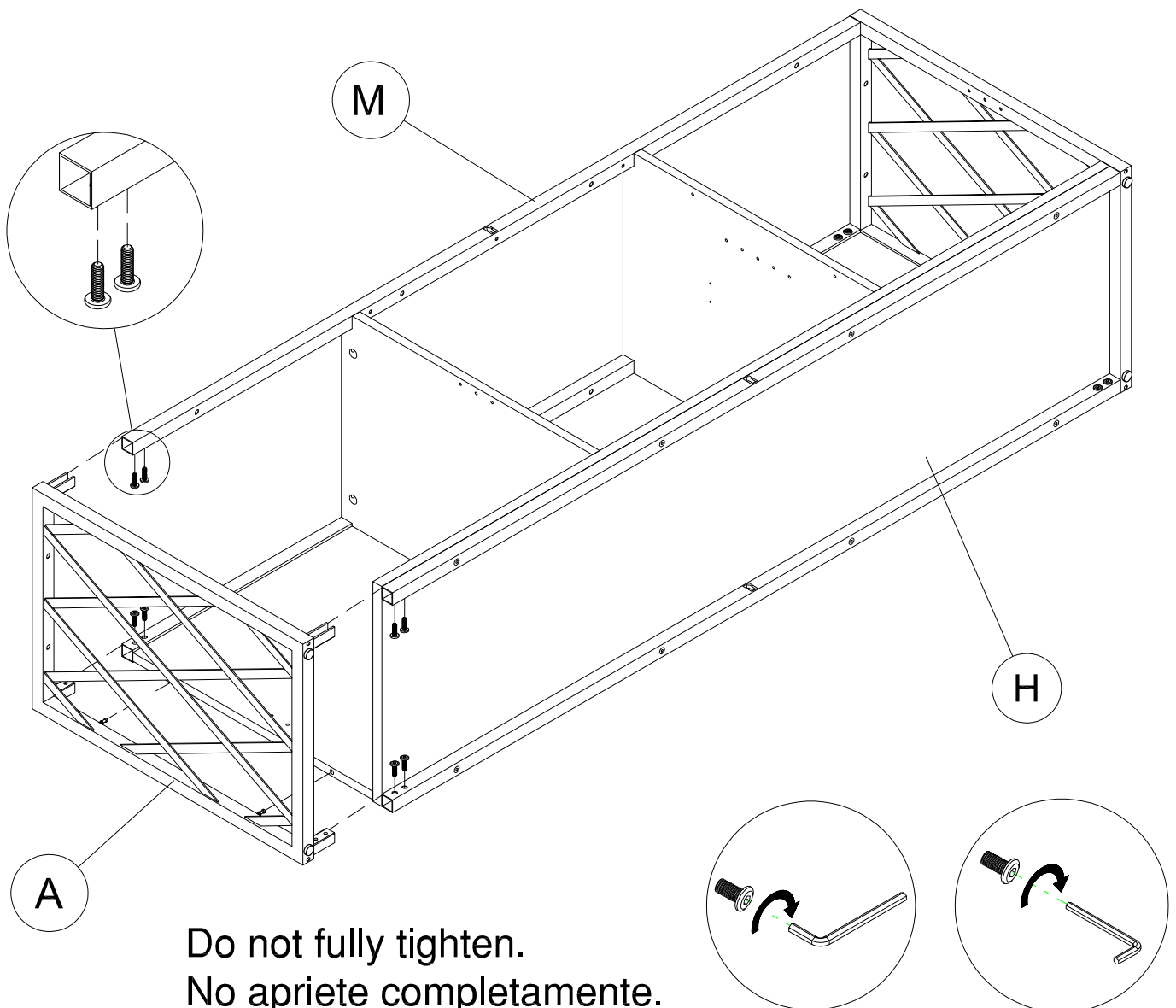
M6 x 20mm

[8]

H145867



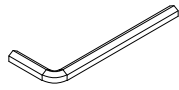
4mm Allen Wrench



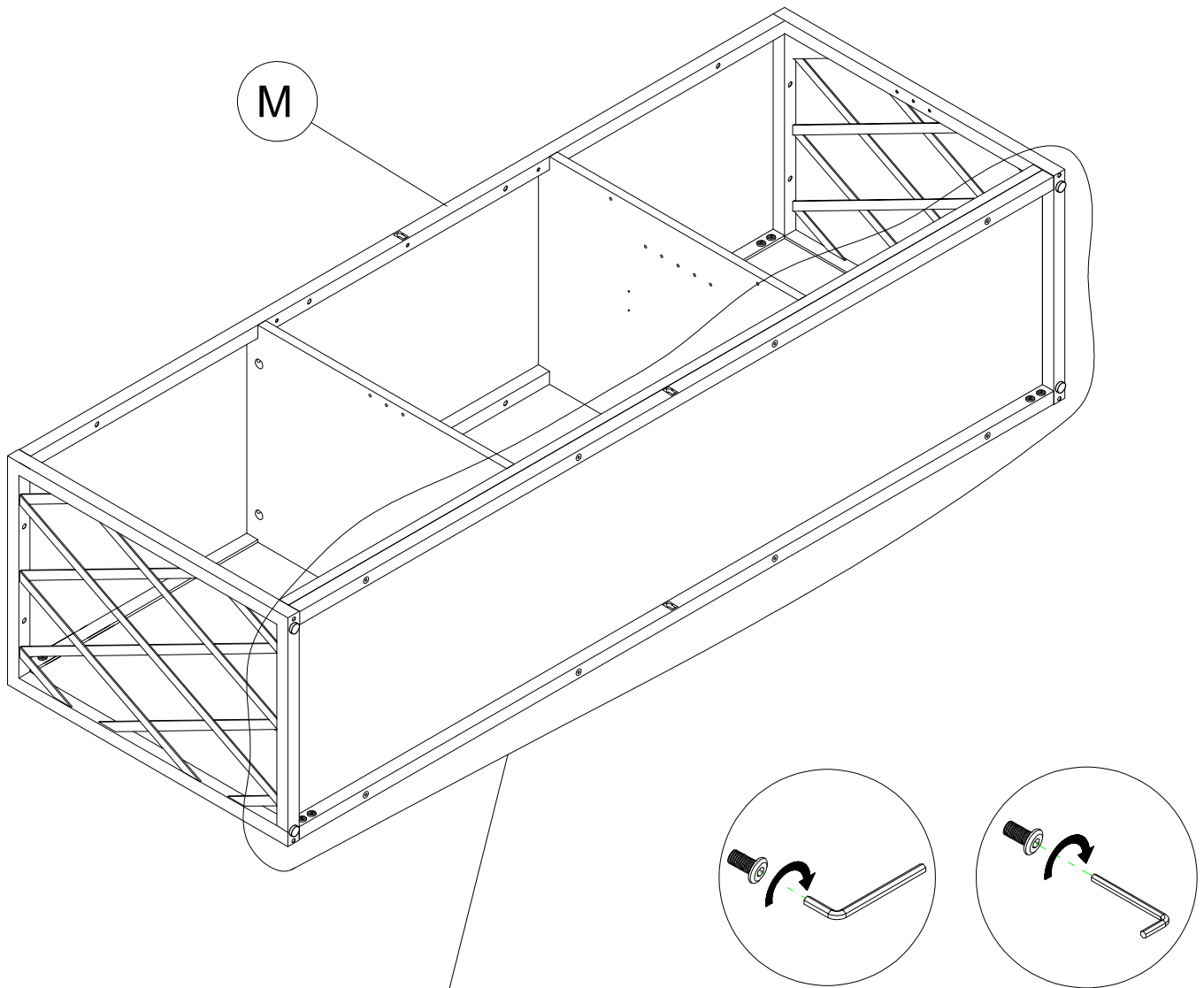
Do not fully tighten.
No apriete completamente.
Ne pas viser a fond.

Have an assembly question or need a replacement part? Just call
1-800-950-4782, we are here to help.

H145867



4mm Allen Wrench



Tighten all screws.
Apriete todos los tornillos.
Serrez toutes les vis.

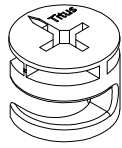
Have an assembly question or need a replacement part? Just call
1-800-950-4782, we are here to help.

Scan QR Code to Watch Video on:



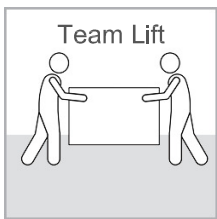
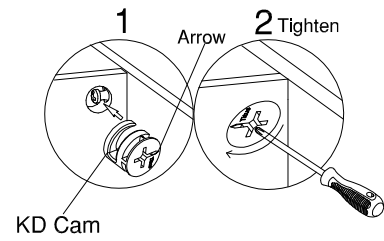
How to Tighten KD Cams

H181468

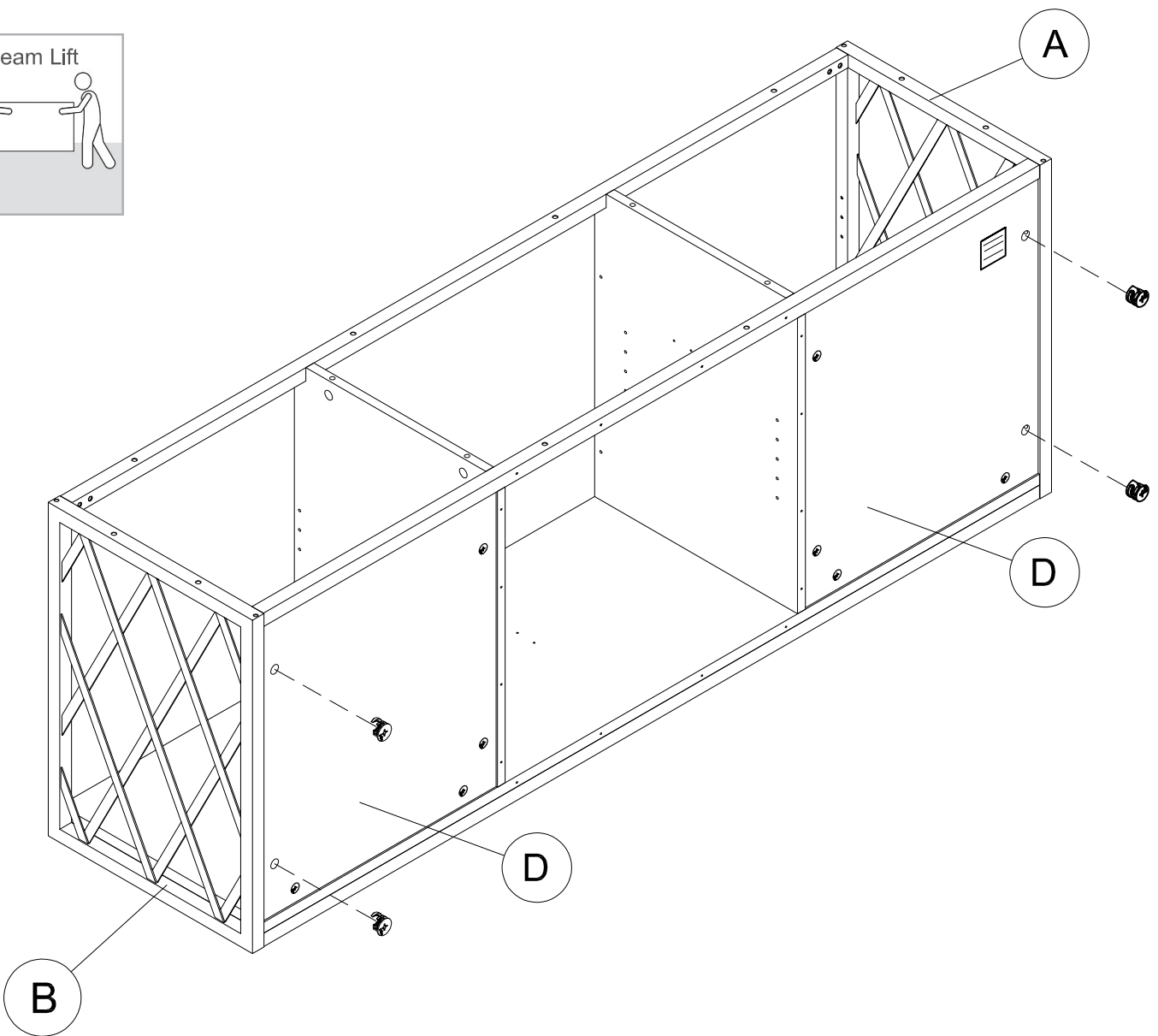


[4]

KD Cam

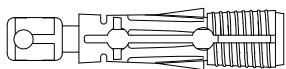


Team Lift



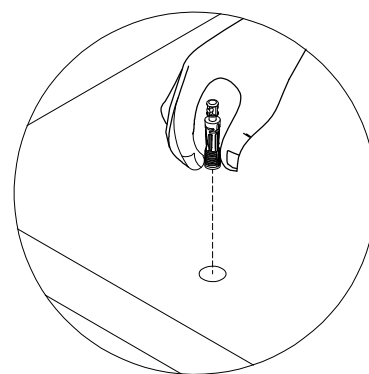
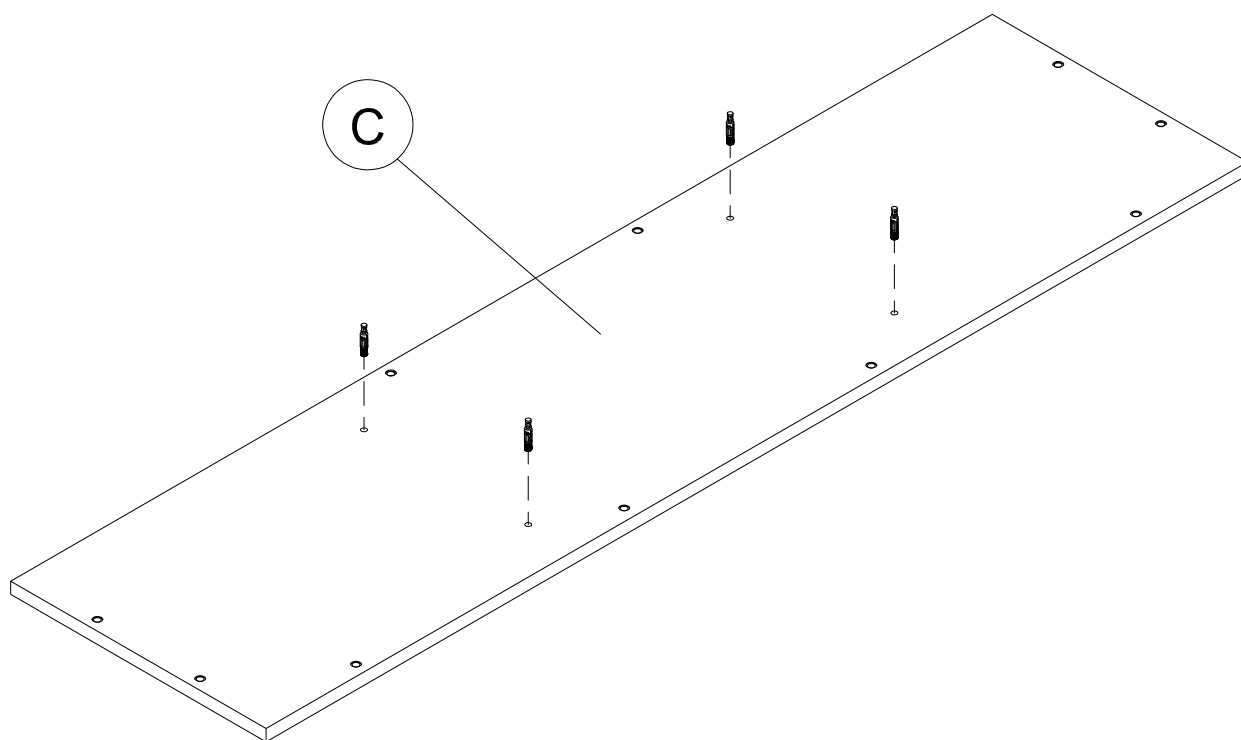
Have an assembly question or need a replacement part? Just call **1-800-950-4782**, we are here to help.

H166336



[4]

Quick Connect



Have an assembly question or need a replacement part? Just call
1-800-950-4782, we are here to help.

STEP 17

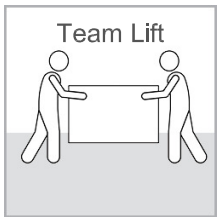
Assemble Panels

A203612

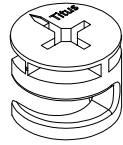
Scan QR Code to Watch Video on:



How to Tighten KD Cams

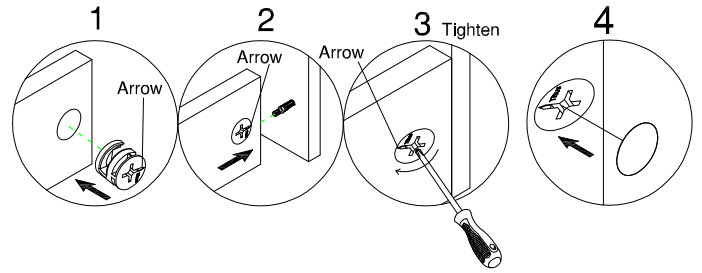


H181468

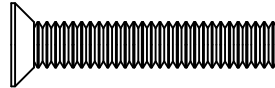


[4]

KD Cam



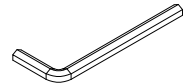
H203629



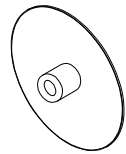
[10]

M6 x 35mm

H145867

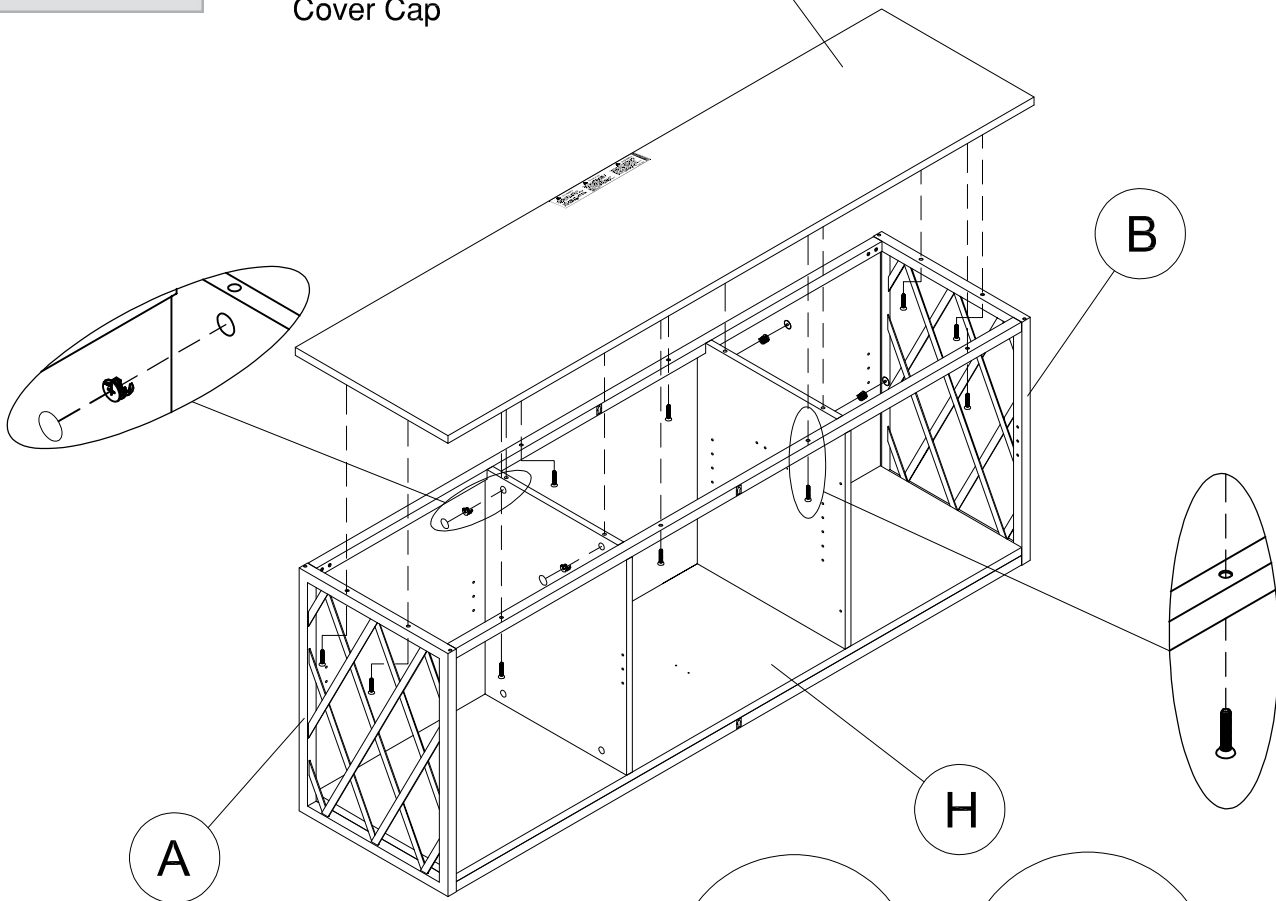


4mm Allen Wrench

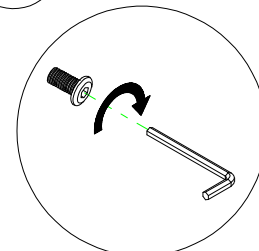
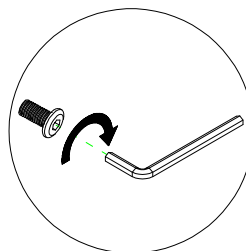


[4]

Cover Cap

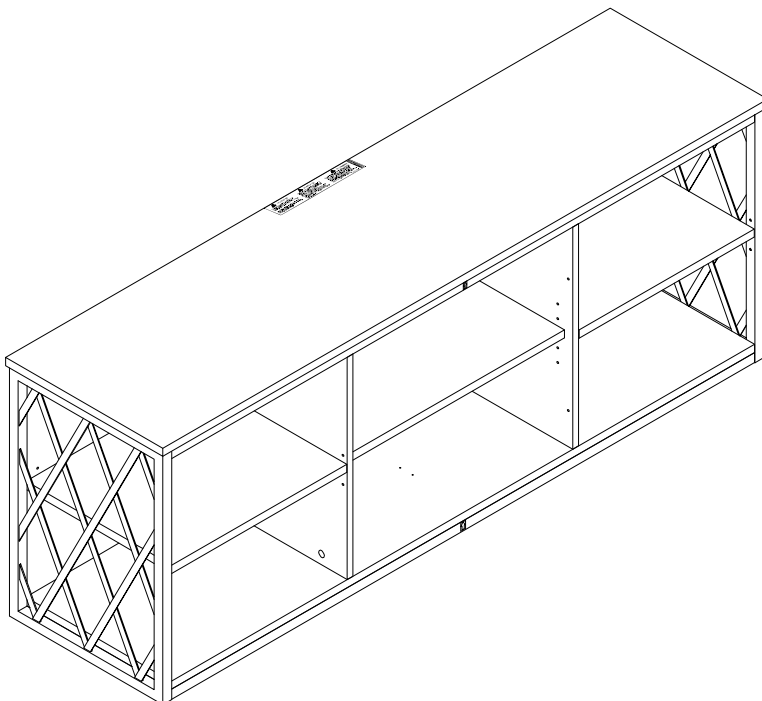


Tighten all screws.
Apriete todos los tornillos.
Serrez toutes les vis.

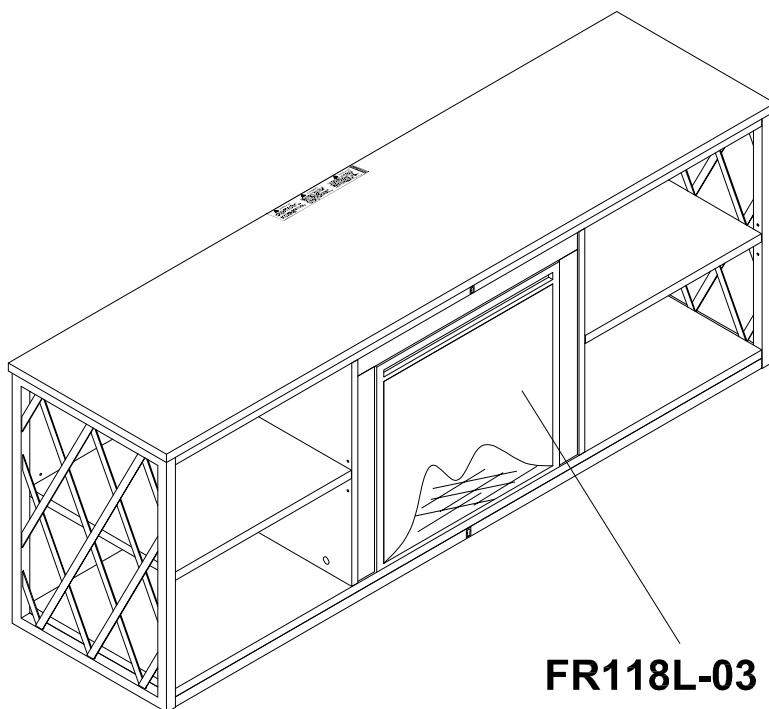


Have an assembly question or need a replacement part? Just call **1-800-950-4782**, we are here to help.

Go to step 19
Proceda al paso 19
Allez a l'etape 19

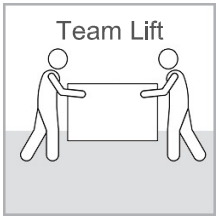


Go to step 22
Proceda al paso 22
Allez a l'etape 22

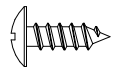


FR118L-03

Have an assembly question or need a replacement part? Just call
1-800-950-4782, we are here to help.

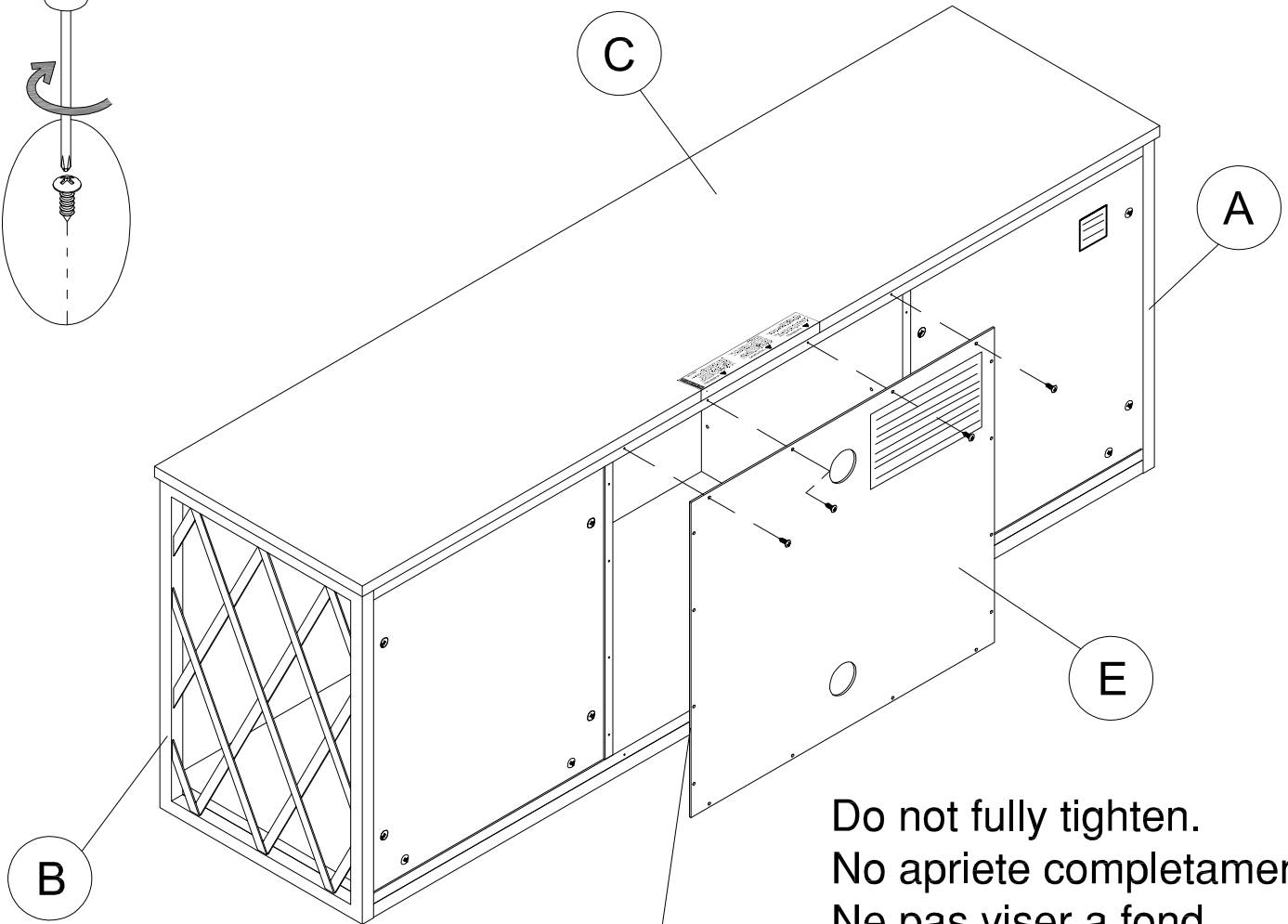
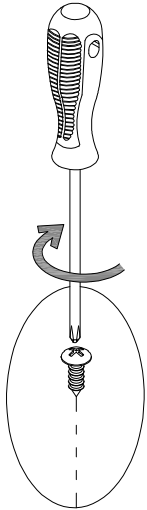


H192100



[4]

#8 x 1/2"

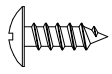


Do not fully tighten.
No apriete completamente.
Ne pas viser a fond.

Grain to inside
Grano para el interior
Grain de l'intérieur

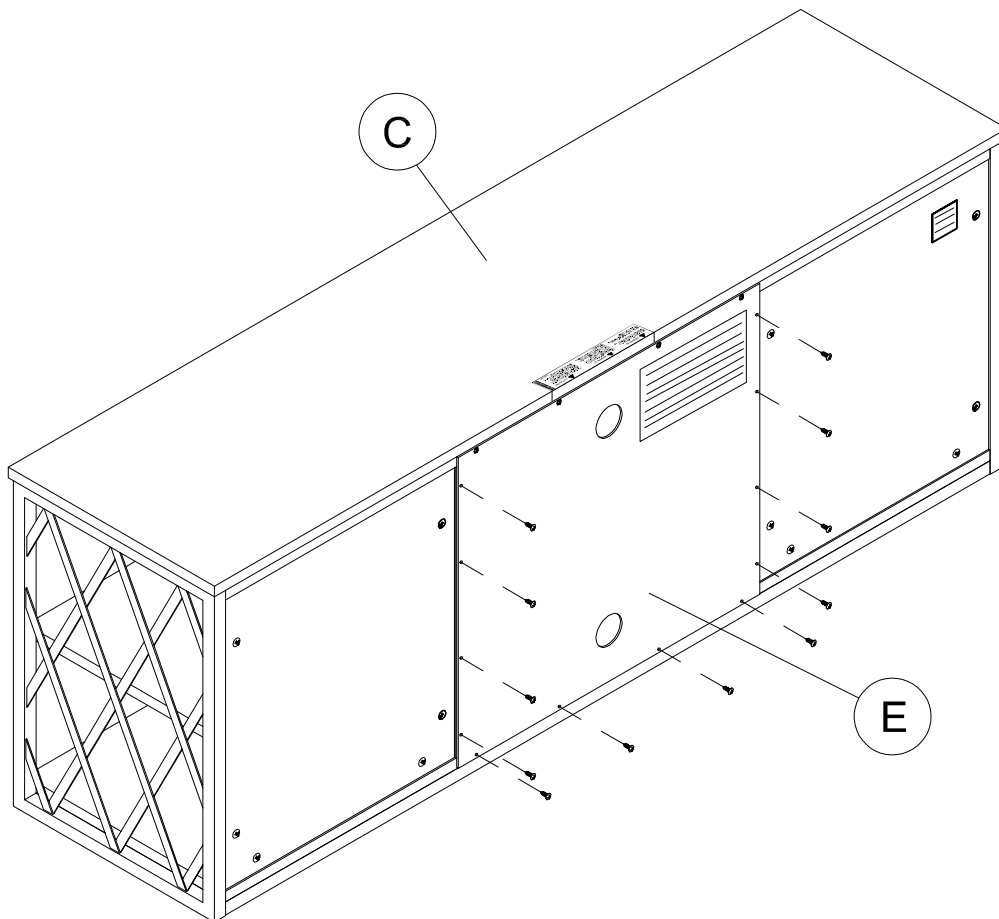
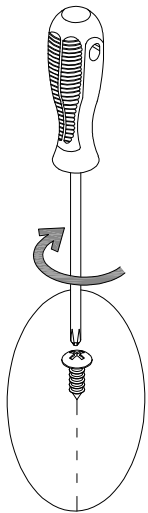
Have an assembly question or need a replacement part? Just call
1-800-950-4782, we are here to help.

H192100



[12]

#8 x 1/2"



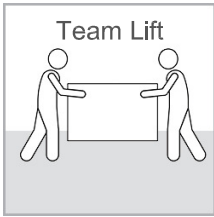
Tighten all screws.
Apriete todos los tornillos.
Serrez toutes les vis.

Have an assembly question or need a replacement part? Just call
1-800-950-4782, we are here to help.

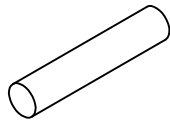
STEP 21

Install Shelves

A203612



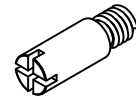
H23604



[10]

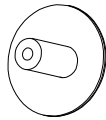
Shelf Pin

H203642



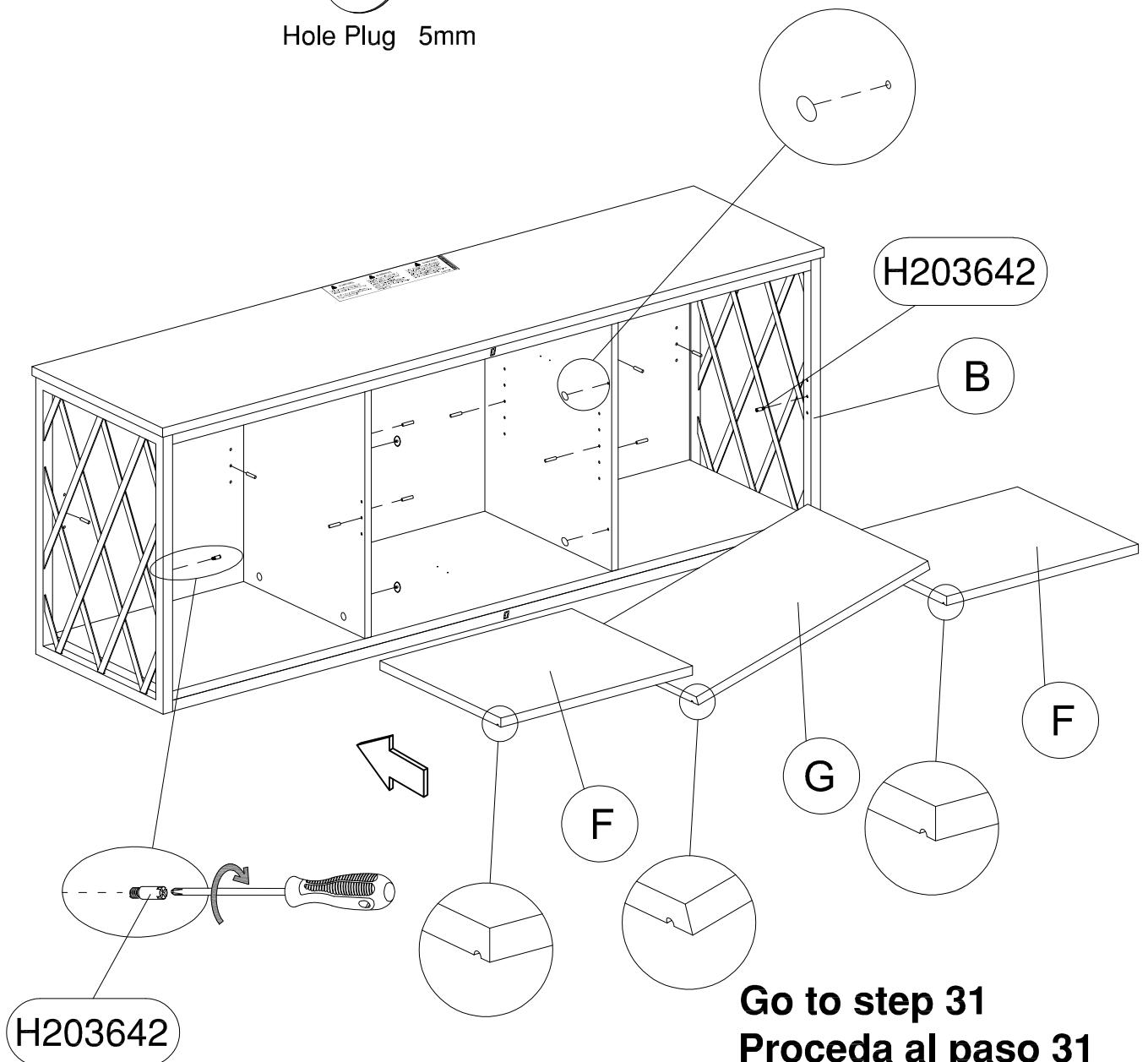
[2]

Shelf Pin



[4]

Hole Plug 5mm



Go to step 31
Proceda al paso 31
Allez a l'etape 31

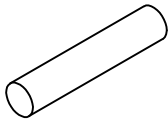
Have an assembly question or need a replacement part? Just call
1-800-950-4782, we are here to help.

STEP 22

Install Shelves

A203612

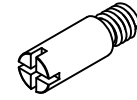
H23604



[6]

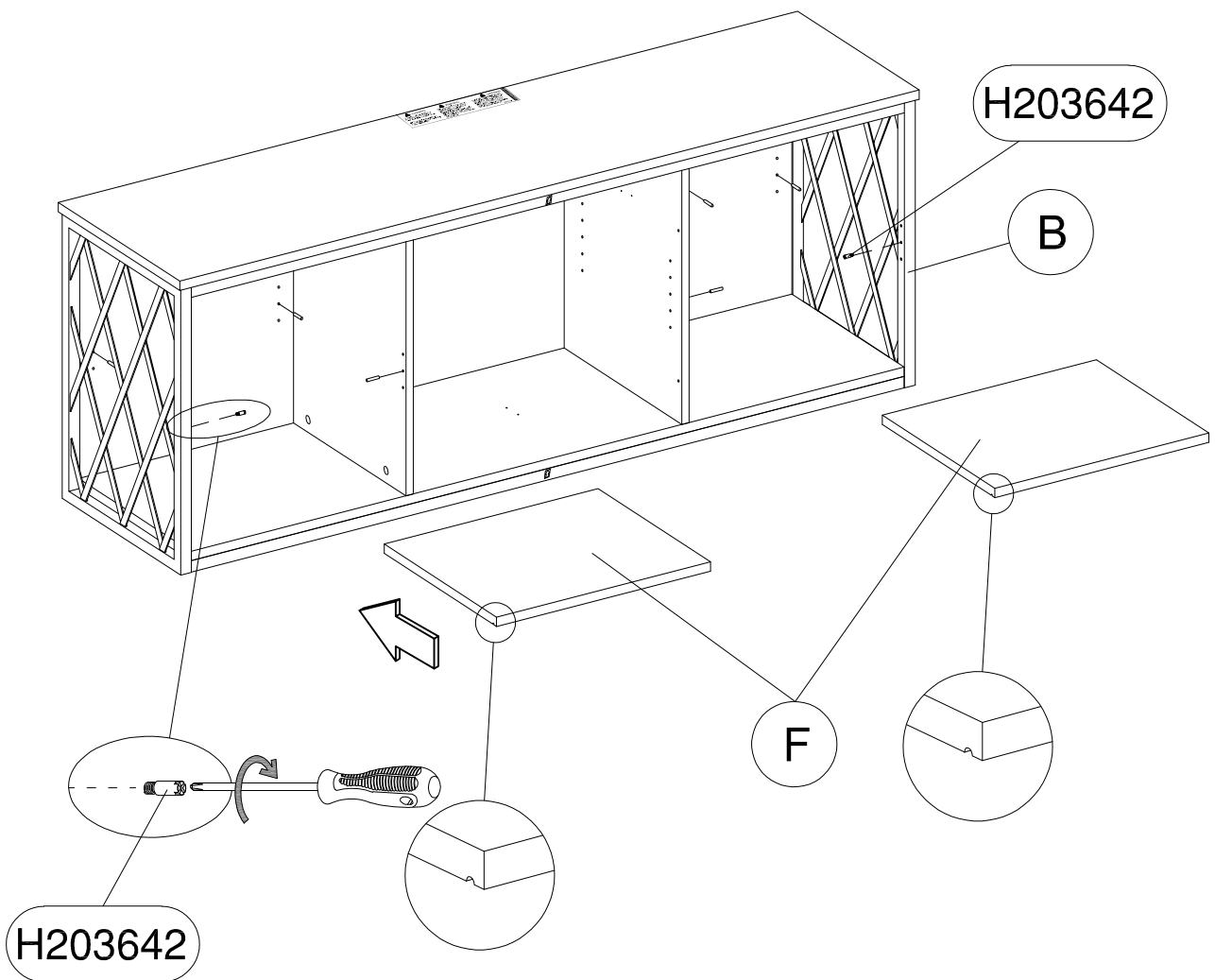
Shelf Pin

H203642



[2]

Shelf Pin



Have an assembly question or need a replacement part? Just call
1-800-950-4782, we are here to help.

STEP 23

Install Fasteners

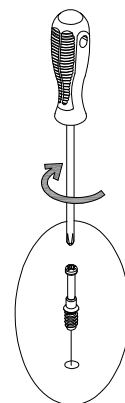
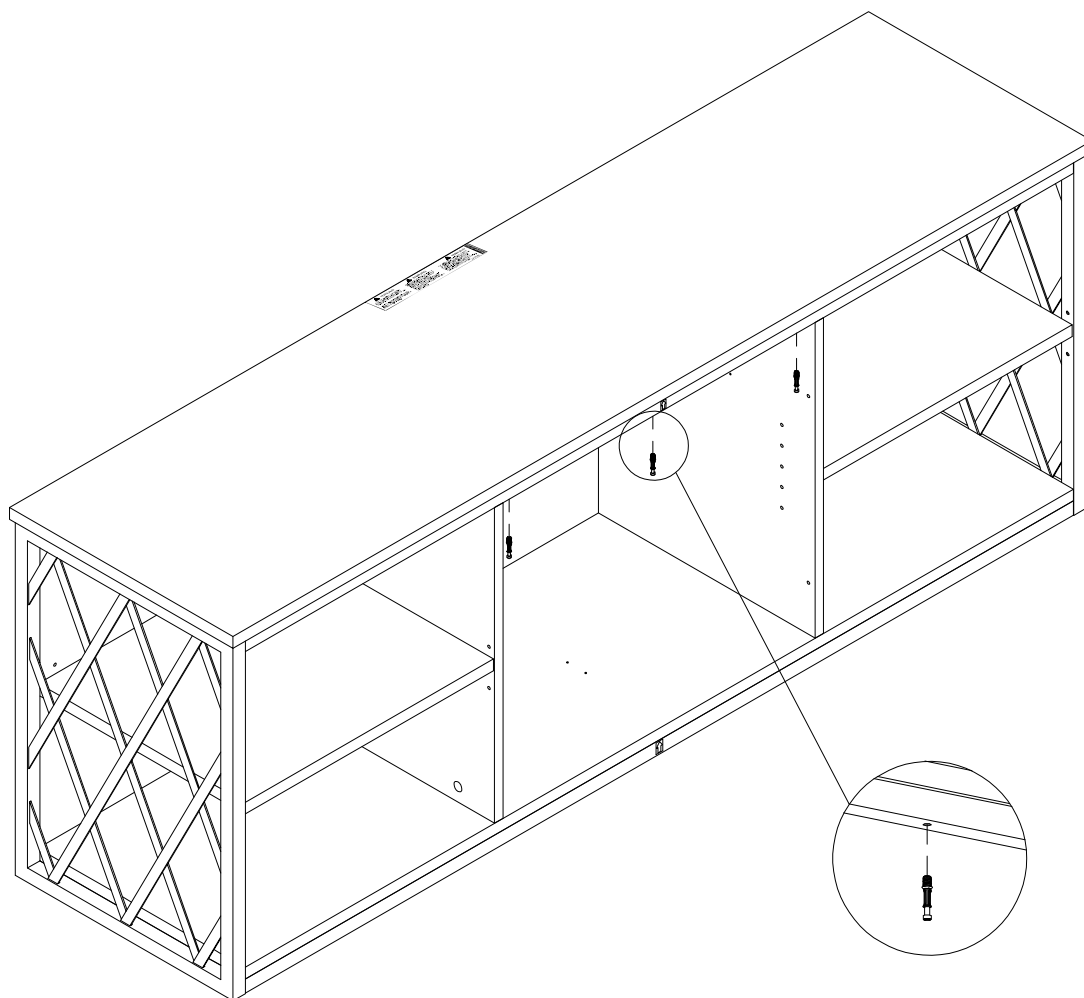
A203612

H91643



[3]

KD Bolt



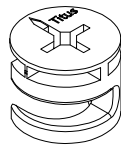
Have an assembly question or need a replacement part? Just call
1-800-950-4782, we are here to help.

Scan QR Code to Watch Video on:



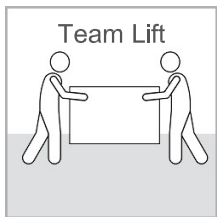
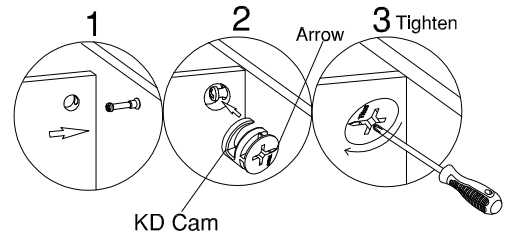
How to Tighten KD Cams

H181468

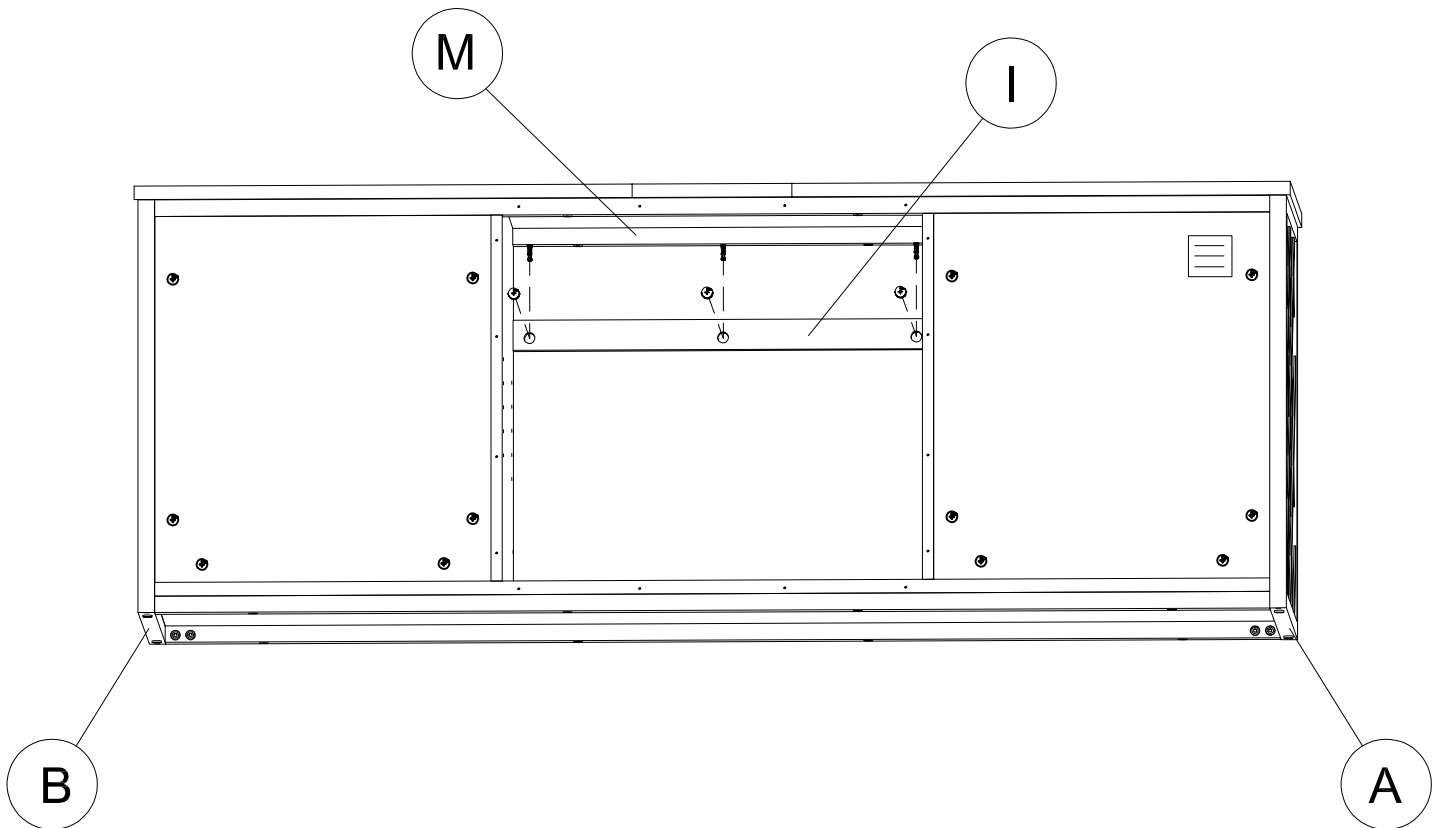


KD Cam

[3]



Team Lift

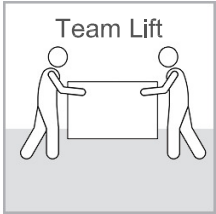


Have an assembly question or need a replacement part? Just call **1-800-950-4782**, we are here to help.

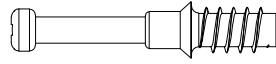
STEP 25

Install Fasteners

A203612

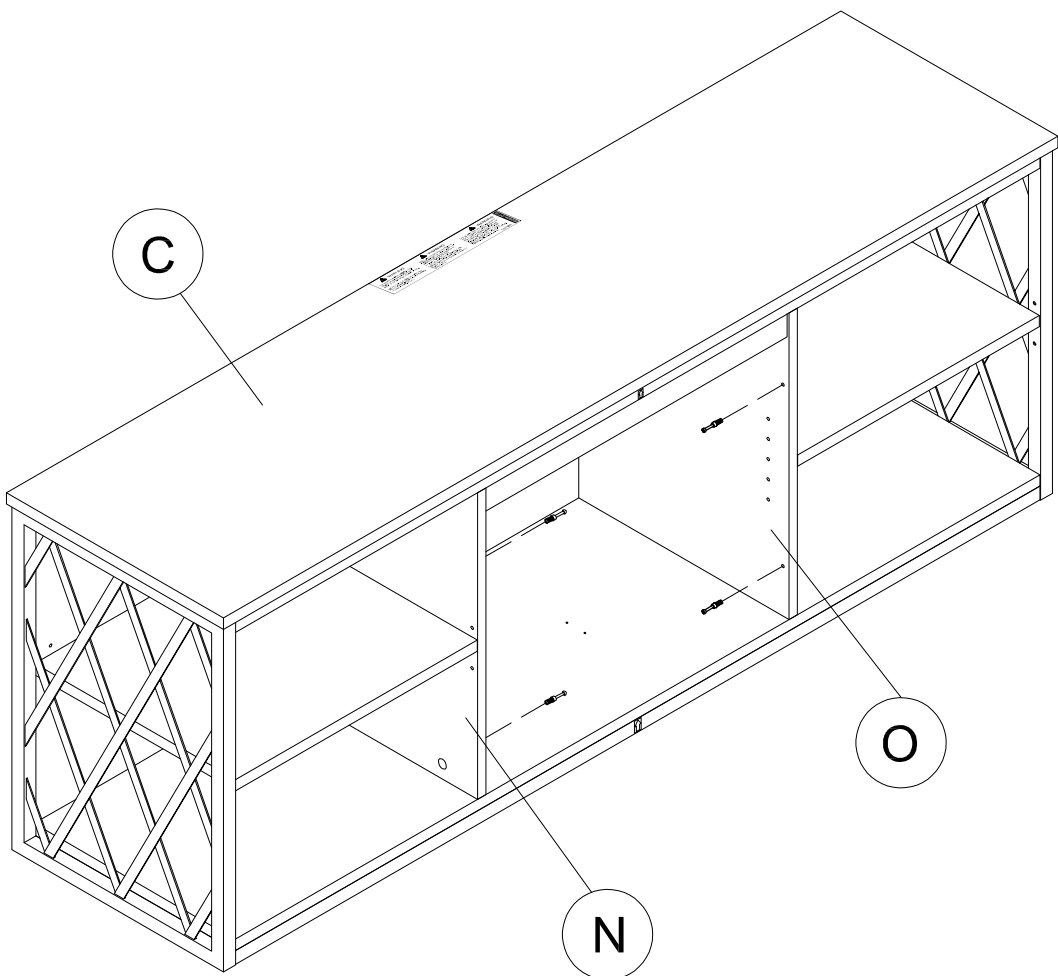
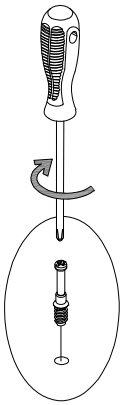


H180604



[4]

KD Bolt

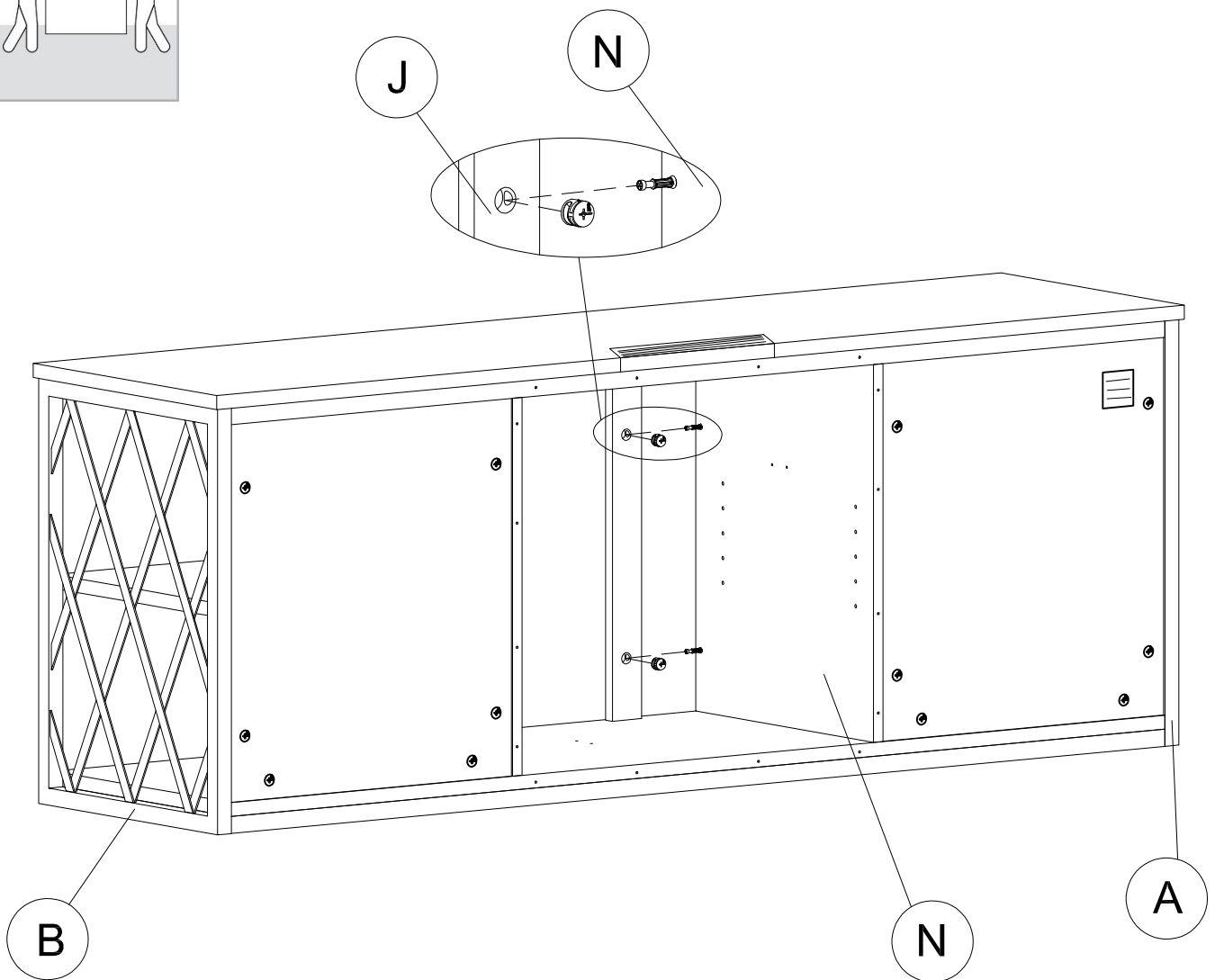
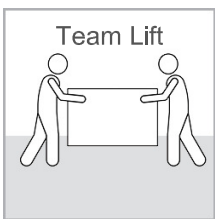
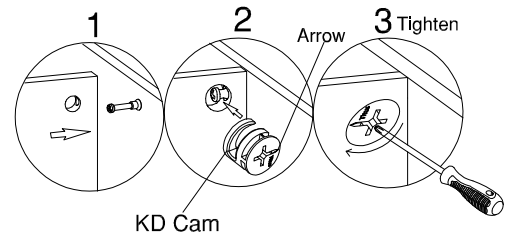
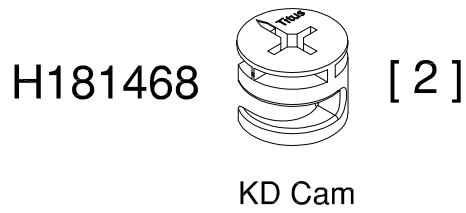


Have an assembly question or need a replacement part? Just call
1-800-950-4782, we are here to help.

Scan QR Code to Watch Video on:



How to Tighten KD Cams



Have an assembly question or need a replacement part? Just call **1-800-950-4782**, we are here to help.

STEP 27

Assemble Panels

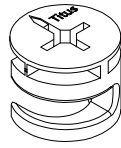
A203612

Scan QR Code to Watch Video on:



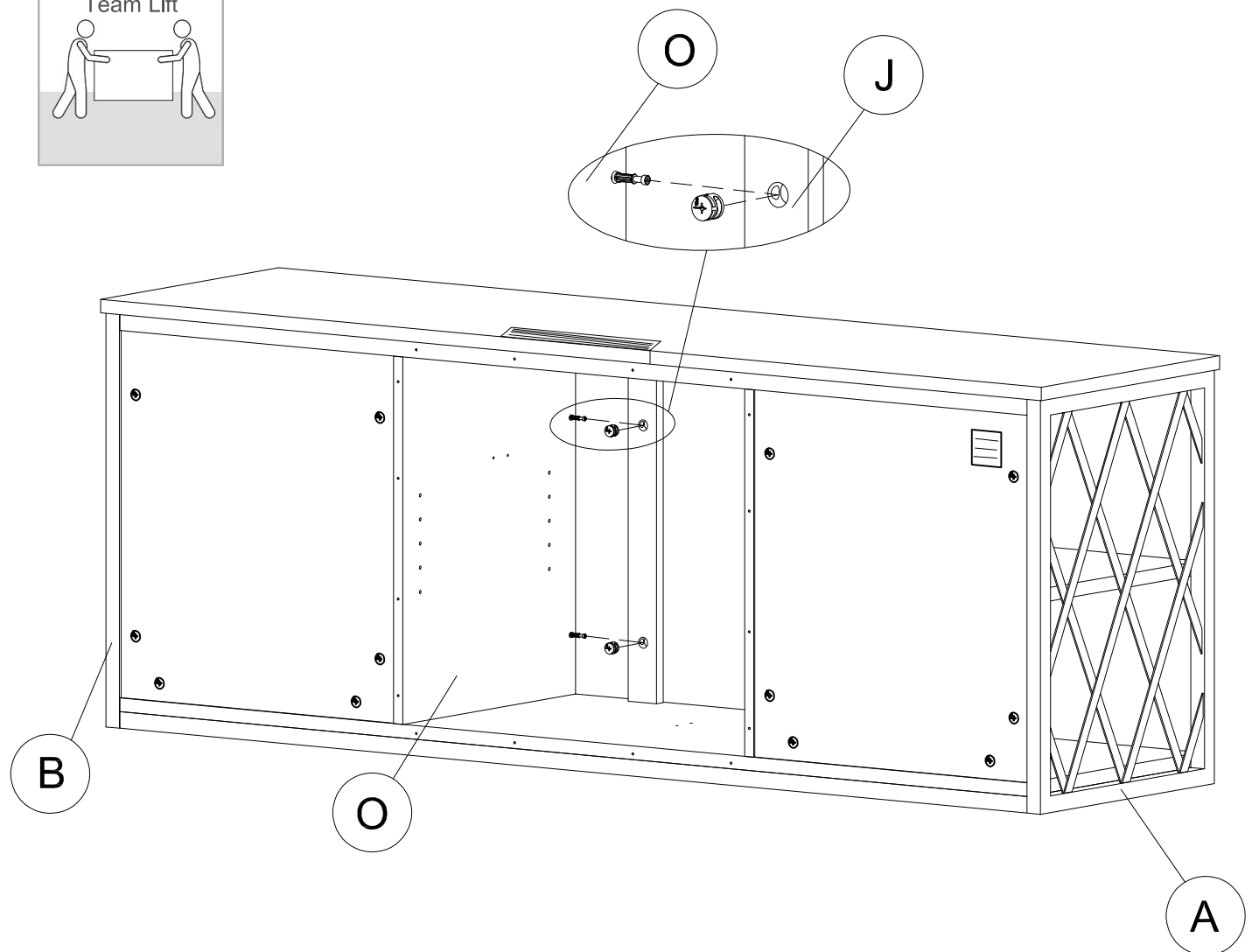
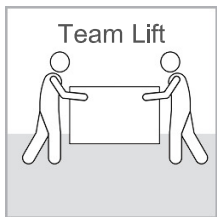
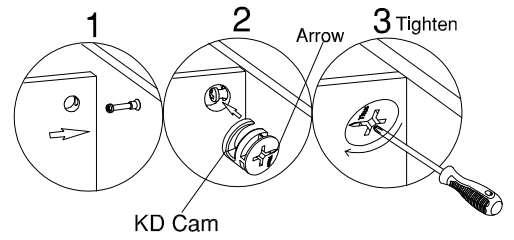
How to Tighten KD Cams

H181468

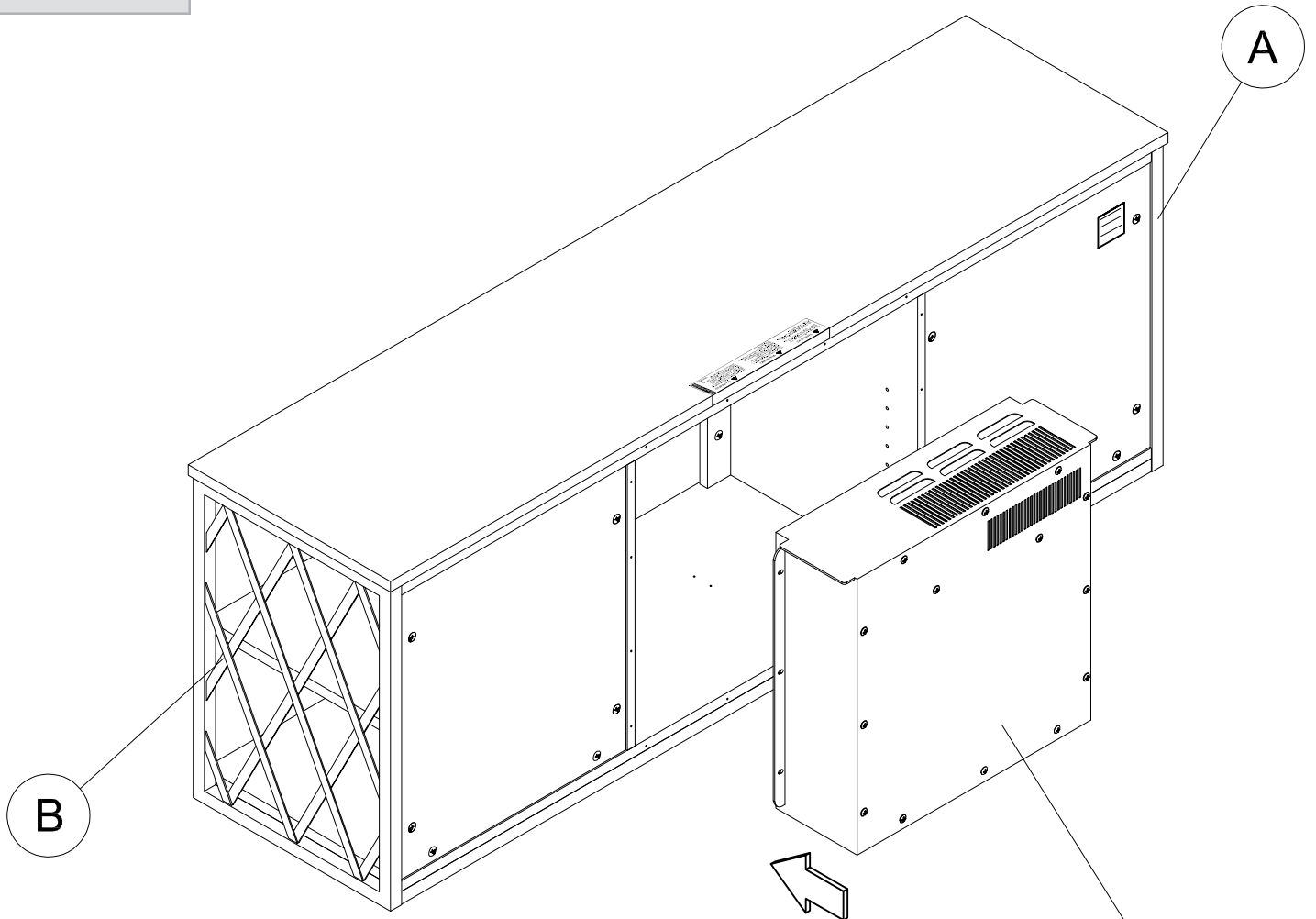
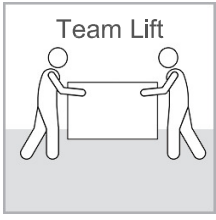


KD Cam

[2]



Have an assembly question or need a replacement part? Just call **1-800-950-4782**, we are here to help.



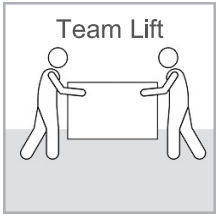
FR118L-03

Have an assembly question or need a replacement part? Just call
1-800-950-4782, we are here to help.

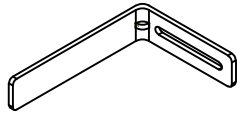
STEP 29

Install Hardware

A203612



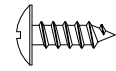
H204592



L Bracket

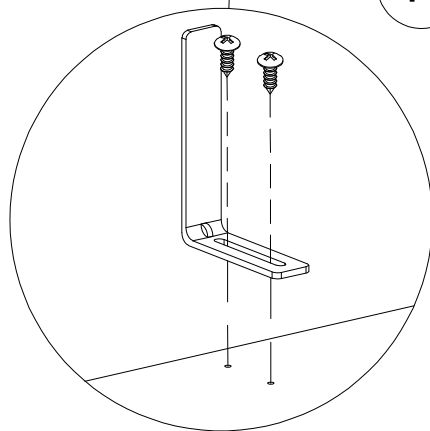
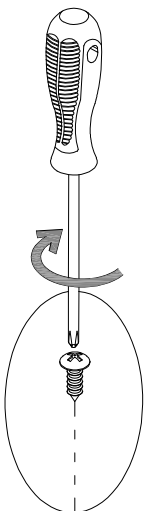
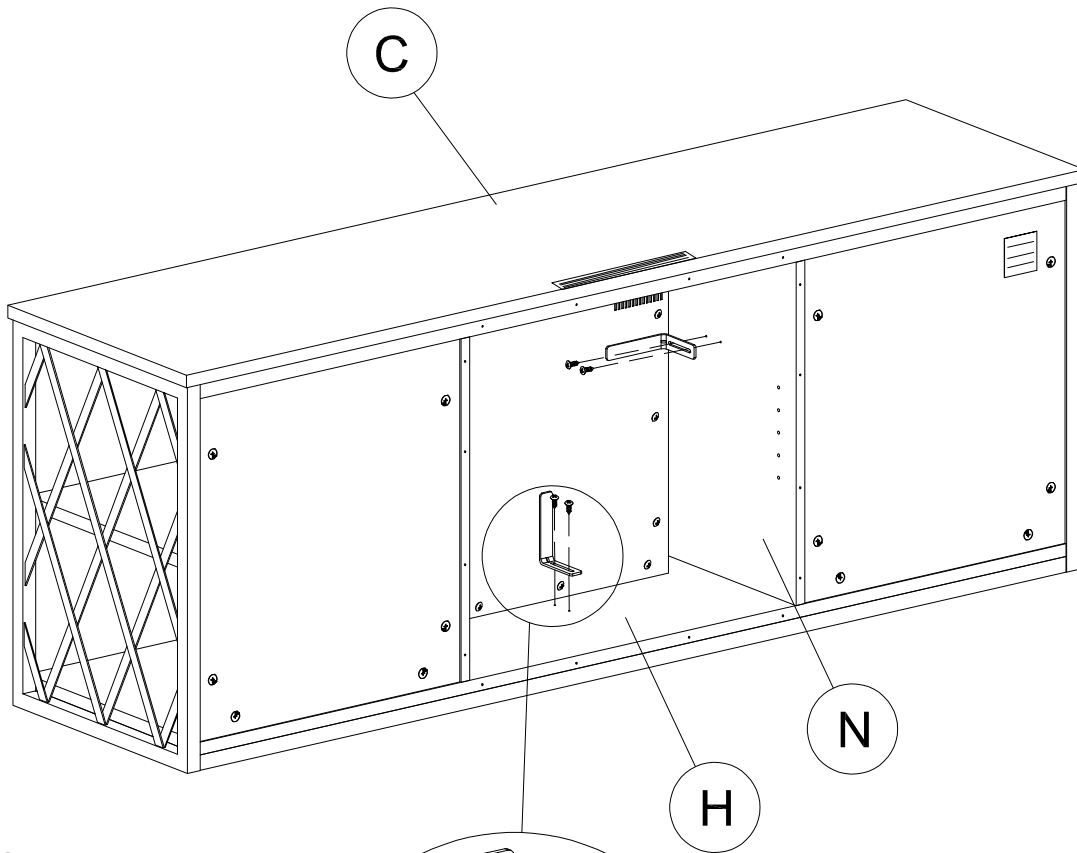
[2]

H192100



#8 x 1/2"

[4]

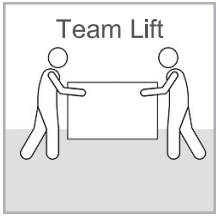


Have an assembly question or need a replacement part? Just call
1-800-950-4782, we are here to help.

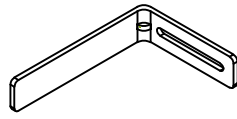
STEP 30

Install Hardware

A203612



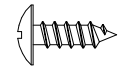
H204592



[1]

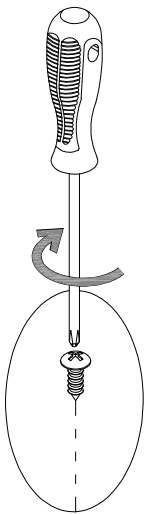
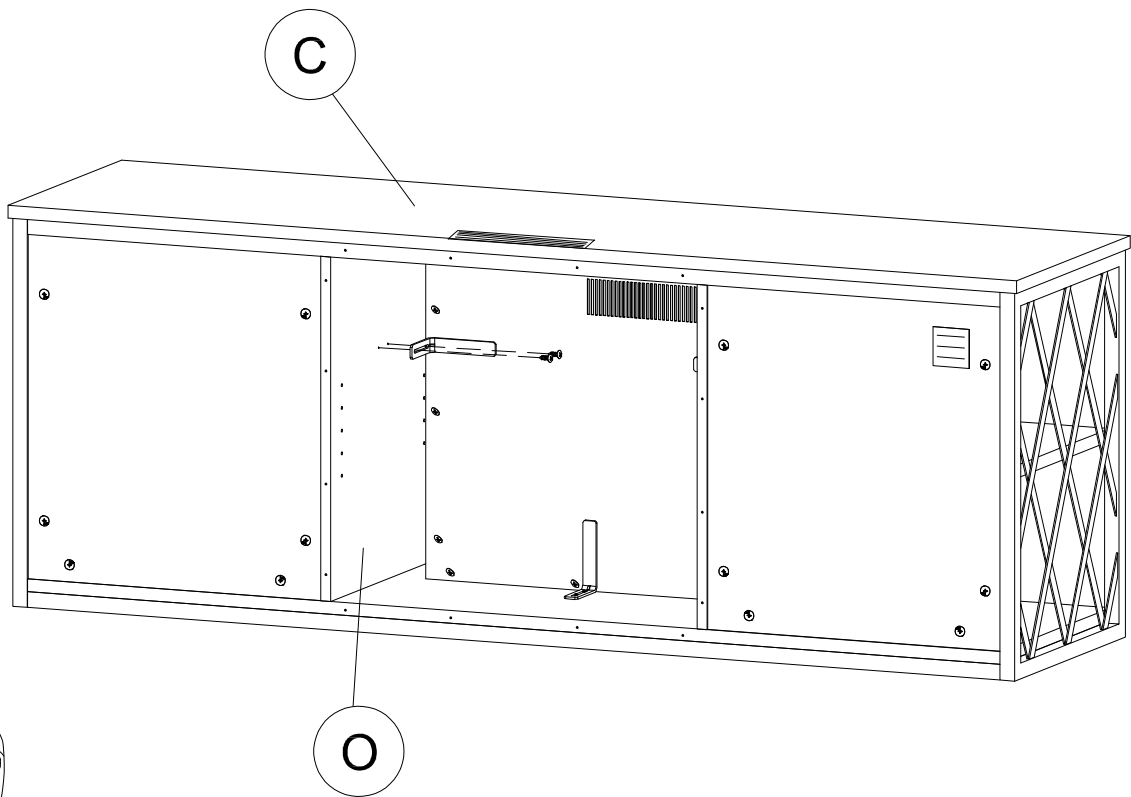
L Bracket

H192100



[2]

#8 x 1/2"



Have an assembly question or need a replacement part? Just call
1-800-950-4782, we are here to help.

Secure unit to the wall with a tip-over restraint.

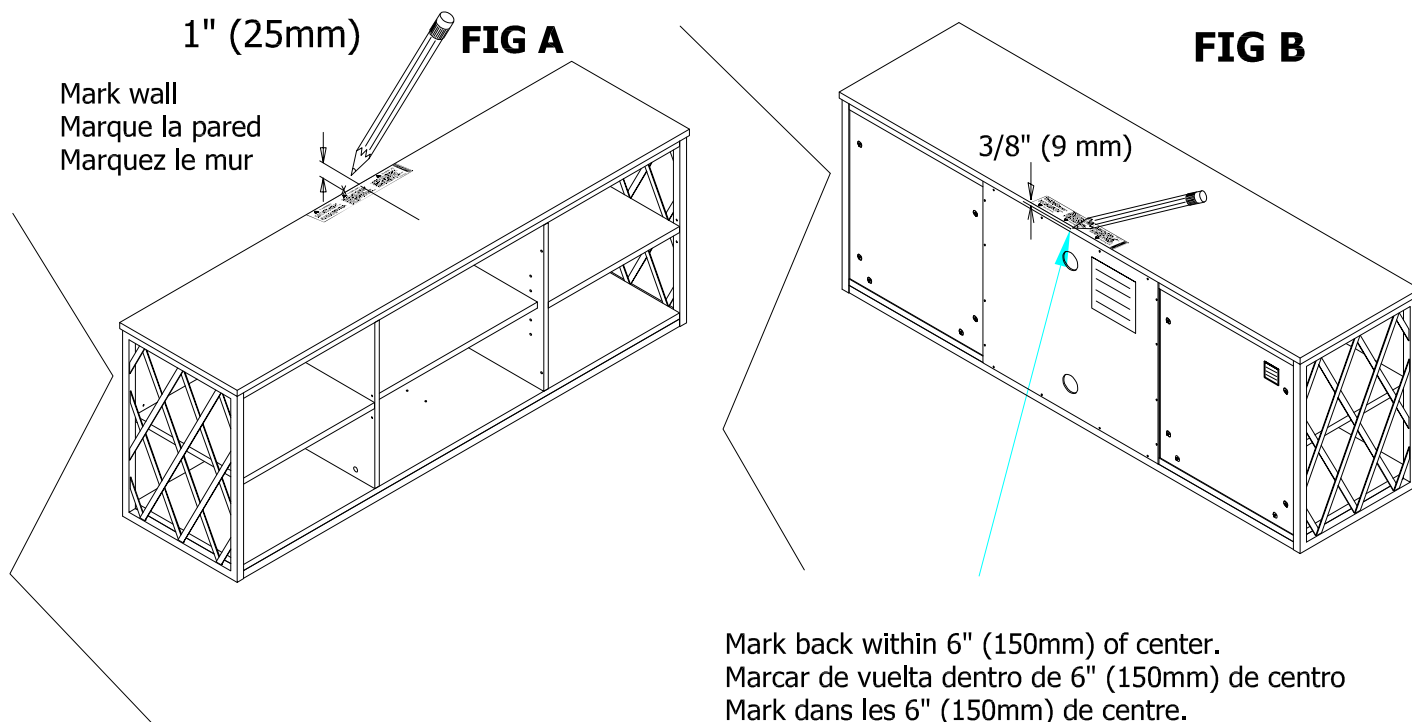
Unidad de seguro a la pared con un sistema de retención de un vuelco.

Fixer l'unité au mur avec un dispositif de retenue renversement.

1. Place unit in desired location.
2. Locate wall stud nearest unit center. **FIG A**
3. On wall, mark center of stud location 1" below top of unit. **FIG A**
4. If a wall stud cannot be located mark hollow wall at unit center. **FIG A**
5. On back of unit, mark corresponding location 3/8" below top of unit. **FIG B**

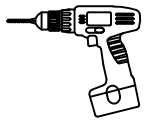
1. Coloque la unidad en el lugar deseado.
2. Localice pie derecho de pared centro de unidad más próxima.
3. En la pared del, marque el centro de la ubicación del montante 1 "abajo la parte superior de la unidad.
4. Si un poste de la pared no se puede localizar marcar pared hueca en el centro de la unidad.
5. En el dorso de la unidad, marque la ubicación 3/8 correspondiente abajo la parte superior de la unidad.

1. Placez l'unité à l'endroit désiré.
2. Localiser centre d'unité la plus proche de la paroi Stud.
3. Sur le mur, centre de emplacement du montant 1 "ci-dessous dessus de l'appareil de la marque.
4. Si un montant de mur ne peut pas être situé marquer mur creux au centre de l'unité.
5. Le dos de l'appareil, marquer l'emplacement 3/8 correspondant ci-dessous dessus de l'appareil.



Have an assembly question or need a replacement part? Just call
1-800-950-4782, we are here to help.

WALL STUD ATTACHMENT

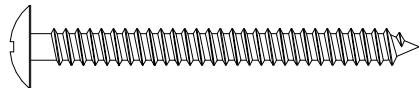


Drill 1/8" hole 2" deep at mark on wall.

Taladro 1/8 "agujero 2" de profundidad en la marca en la pared.

Percer 1/8 "trou de 2" de profondeur à la marque sur le mur.

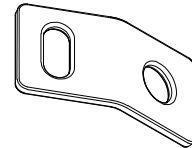
H181434



[1]

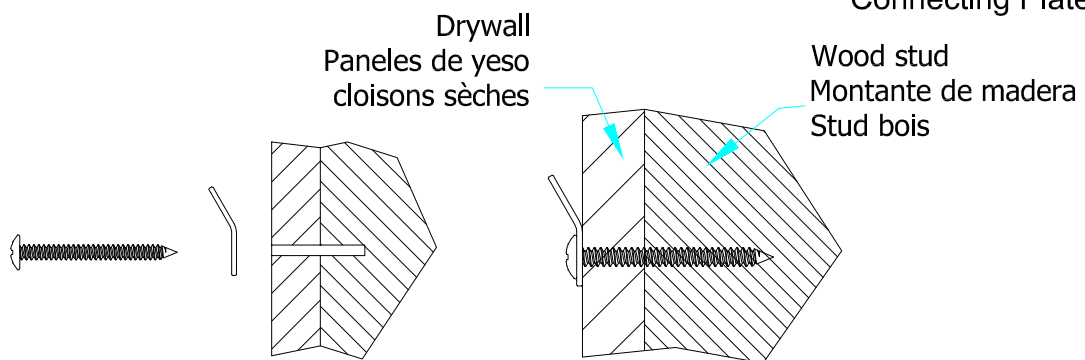
#10x2"

H181412

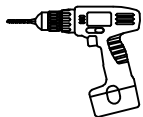


[1]

Connecting Plate



HOLLOW WALL ATTACHMENT

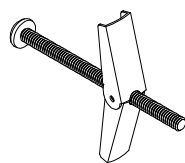


Drill 1/2" hole 1" deep at mark on wall.

Taladro 1/2 "agujero 1" de profundidad en la marca en la pared.

Percer 1/2 "trou de 1" de profondeur à la marque sur le mur.

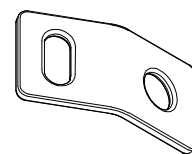
H181419



[1]

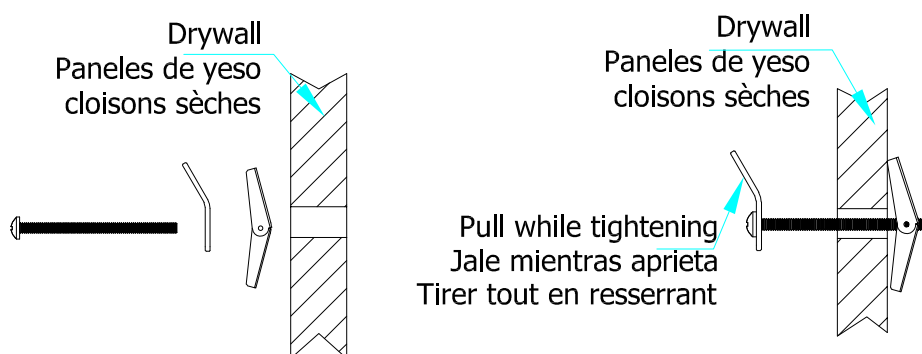
Toggle Bolt

H181412



[1]

Connecting Plate



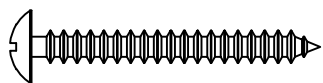
Have an assembly question or need a replacement part? Just call
1-800-950-4782, we are here to help.

STEP 33

Install Anti-Tip

A203612

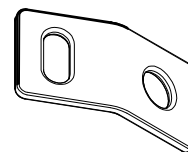
H107572



[1]

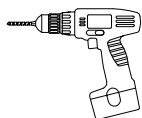
#8x1-1/2"

H181412



[1]

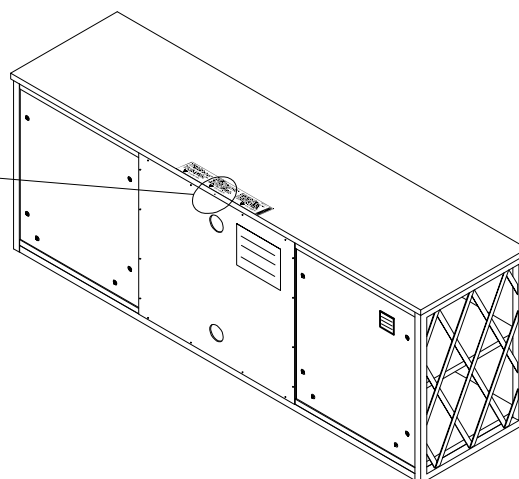
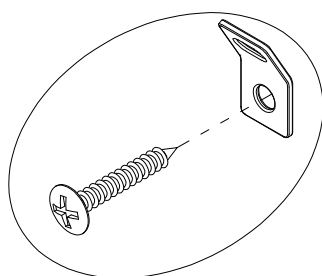
Connecting Plate



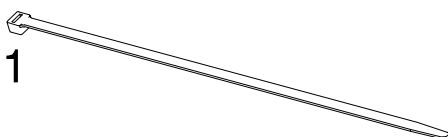
Drill 1/8" hole 1-1/4" deep at mark on unit.

Taladro 1/8 "agujero de 1-1/4" de profundidad en la marca de la unidad.

Percer 1/8 "trou 1-1/4" de profondeur à la marque sur l'unité.

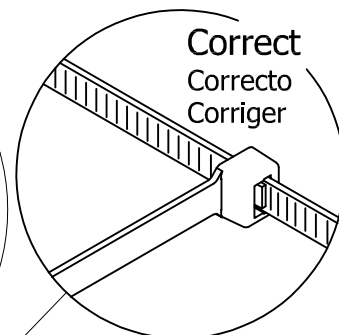
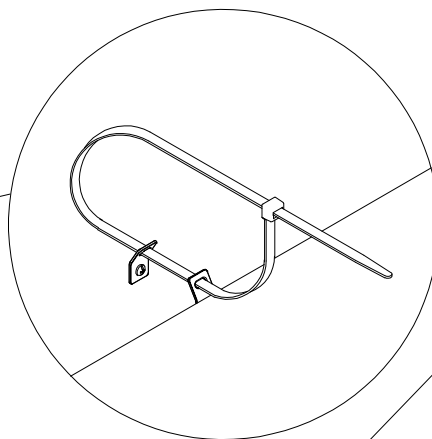
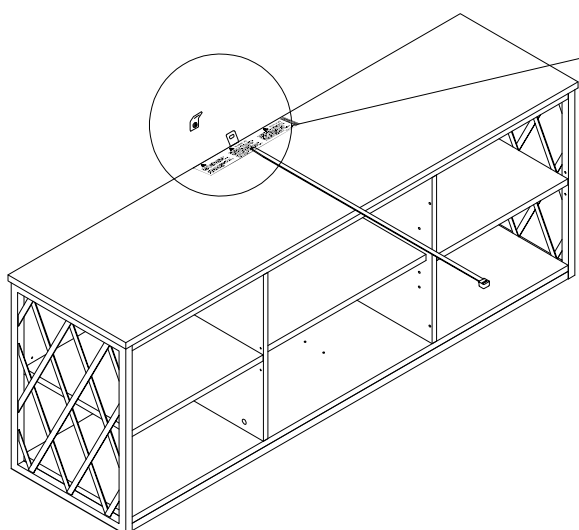


H181411



[1]

Nylon Cable Tie



Correct
Correcto
Corriger

Pull to verify lock

Tire para verificar cerradura

Tirez pour vérifier serrure

Use replacement cable tie with minimum breaking strength of 120lbs.

Utilice reemplazo embate Cable con resistencia a la rotura mínima de 120 libras.

Utilisez remplacement Attache de câble avec une force de rupture minimale de 120 lbs.

Have an assembly question or need a replacement part? Just call

1-800-950-4782, we are here to help.

Scan QR Code to
Watch Video on:



How to Clean
the Surface

Gently clean
surfaces with a damp
sponge eraser.

MAXIMUM TELEVISION WIDTH: 70 INCHES
(1778 MM)

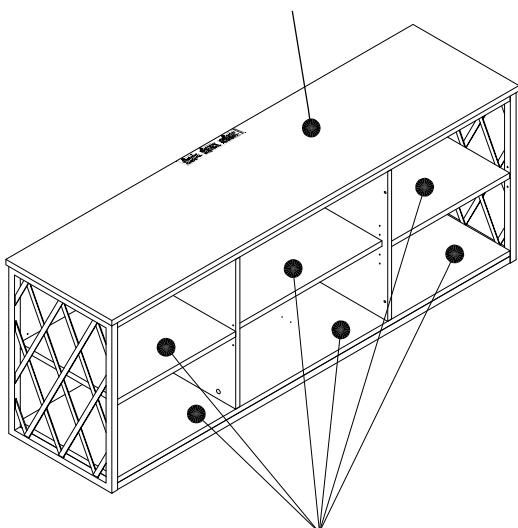
ANCHO DE LA TELEVISIÓN MÁXIMA: 70
PULGADAS
(1778 MM)

LARGEUR DE TÉLÉVISION MAXIMALE: 70
POUCES
(1778 MM)

MAXIMUM WEIGHT: 80 LBS (36.3 KG)

PESO MÁXIMO: 80 LIBRAS (36.3 KILOGRAMO)

POIDS MAXIMUM: 80 LIVRES (36.3 KILOGRAMME)



MAXIMUM WEIGHT: 25 LBS (11.34 KG)

PESO MÁXIMO: 25 LIBRAS (11.34 KILOGRAMO)

POIDS MAXIMUM: 25 LIVRES (11.34 KILOGRAMME)

WARNING - Death or serious injury may occur when children climb on audio and/or video equipment furniture. A remote control or toys placed on the furnishing may encourage a child to climb on the furnishing and as a result the furnishing may tip over on to the child.

WARNING - Relocating audio and/or video equipment to furniture not specifically designed to support audio and/or video equipment may result in death or serious injury due to the furnishing collapsing or over turning onto a child.

ADVERTENCIA - Pueden ocurrir lesiones graves o la muerte cuando los niños se suben a los muebles del equipo de audio y / o video. Un control remoto o juguetes colocados sobre el mueble pueden alentar al niño a trepar sobre el mueble y, como resultado, el mueble puede volcarse sobre el niño.

ADVERTENCIA: reubicar el equipo de audio y / o video en muebles que no estén diseñados específicamente para soportar equipos de audio y / o video puede resultar en la muerte o lesiones graves debido a que el mueble se derrumba o se voltea hacia un niño.

AVERTISSEMENT - La mort ou des blessures graves peuvent survenir lorsque des enfants grimpent sur les meubles d'un équipement audio et / ou vidéo. Une télécommande ou des jouets placés sur le meuble peuvent encourager un enfant à grimper sur le meuble et, par conséquent, le mobilier peut basculer sur l'enfant.

AVERTISSEMENT - Le déplacement de l'équipement audio et / ou vidéo sur un meuble non spécifiquement conçu pour supporter un équipement audio et / ou vidéo peut entraîner la mort ou des blessures graves en raison de l'effondrement du meuble ou du retournement sur un enfant.

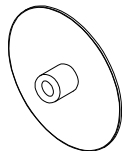
Congratulations! You are all done. If you have any questions or concerns, please call.

Have an assembly question or need a replacement part? Just call
1-800-950-4782, we are here to help.

CPV160DG

A	[1]	H204465	J	[2]	W204474
B	[1]	H204466	K	[2]	H204476
C	[1]	S204467	L	[1]	H204477
D	[2]	W204468	M	[1]	H204478
E	[1]	W204469	N	[1]	W204479
F	[2]	W204470	O	[1]	W204480
G	[1]	W204471			
H	[1]	S204472			
I	[1]	W204473			

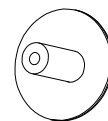
H200206



[8]

Cover Cap

H200207



[4]

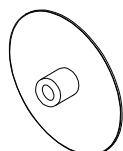
Hole Plug 5mm

Have an assembly question or need a replacement part? Just call
1-800-950-4782, we are here to help.

CPV160GH

A	[1]	H204465	J	[2]	W204488
B	[1]	H204466	K	[2]	H204476
C	[1]	S204481	L	[1]	H204477
D	[2]	W204482	M	[1]	H204478
E	[1]	W204483	N	[1]	W204490
F	[2]	W204484	O	[1]	W204491
G	[1]	W204485			
H	[1]	S204486			
I	[1]	W204487			

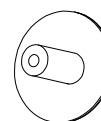
H200205



Cover Cap

[8]

H204492



Hole Plug 5mm

[4]

Have an assembly question or need a replacement part? Just call
1-800-950-4782, we are here to help.

THIS PAGE INTENTIONALLY LEFT BLANK

THIS PAGE INTENTIONALLY LEFT BLANK

WARRANTY INFORMATION/INFORMATIONS POUR LA GARANTIE/INFORMACIÓN DE GARANTÍA

BUSH FURNITURE'S WRITTEN WARRANTY TO YOU

In order to provide you with timely assistance, please thoroughly inspect your furniture for missing or defective parts immediately after opening the carton. To receive replacement or missing parts under this warranty, call our Consumer Service Department TOLL-FREE at 1-800-950-4782. Please have the Model, Part, and Lot Numbers found in the instruction manual available for your reference. You will also need your sales receipt or other proof of purchase. Replacement part(s) will be shipped to you at no charge with Bush Industries assuming all shipping and handling charges.

This Bush Furniture product is warranted to the original purchaser at the time of purchase and for a period of three years thereafter.

We warrant to you, the original purchaser, that our furniture and all its parts and components are free of defects in material or workmanship. "Defects," as used in this warranty, is defined as any imperfection which impairs the use of the furniture product.

Our warranty is expressly limited to the replacement of furniture parts and components. For three years after the date of purchase, Bush will replace any parts that are defective in material or workmanship.

This warranty applies under conditions of normal use. Our Bush Furniture products are not intended for outdoor use. This warranty does not cover: 1) defects caused by improper assembly or disassembly; 2) defects occurring after purchase due to product modification, intentional damage, accident, misuse, abuse, negligence or exposure to the elements; and 3) labor or assembly costs.

IMPLIED WARRANTIES, INCLUDING THE WARRANTY OF MERCHANTABILITY, SHALL NOT EXTEND BEYOND THE DURATION OF THE WRITTEN WARRANTY STATED ABOVE, AND IN NO EVENT SHALL BUSH BE LIABLE FOR INCIDENTAL OR CONSEQUENTIAL DAMAGES RESULTING FROM USE OF THE PRODUCT. Some states do not allow a limitation on how long an implied warranty lasts or the exclusion or limitation of incidental or consequential damages, so the above limitation and exclusion may not apply to you.

This warranty gives you specific legal rights. You may also have other rights that may vary from state to state.

VOTRE GARANTIE BUSH FURNITURE

Afin de vous assister rapidement, veuillez inspecter votre mobilier en détail immédiatement après l'ouverture du carton en cas de pièces manquantes ou défectueuses. Pour recevoir une pièce de rechange ou manquante couverte par cette garantie, appelez notre département de service clientèle GRATUITEMENT au 1-800-950-4782. Veuillez tenir à disposition les numéros de modèle, de pièce et de lot qui se trouvent dans le manuel d'instruction pour votre référence. Vous aurez également besoin de votre reçu ou d'une autre preuve d'achat. La (les) pièce(s) de rechange vous sera (seront) envoyée(s) sans frais, Bush Industries se chargeant de tous les frais d'expédition.

Tout le produit Bush Furniture est garanti à l'acheteur original à partir de la date d'achat pour une période d'e trois ans.

Nous vous garantissons, à vous l'acheteur original, que notre mobilier et toutes ses pièces et composants sont sans défaut de matériau ou de fabrication. Le terme "défauts" utilisé dans cette garantie, est défini comme étant toutes les imperfections qui compromettent l'utilisation du meuble.

Notre garantie est expressément limitée au remplacement des pièces et des composants du mobilier. Pendant trois ans après la date d'achat, Bush remplacera toute pièce défectueuse dans le matériau ou sa fabrication.

Cette garantie d'applique sous des conditions d'utilisation normale. Nos produits ne sont pas destinés à être utilisés en plein air. Cette garantie ne couvre pas: 1) les défauts causés par un mauvais assemblage ou démontage, 2) les défauts ayant lieu après l'achat et dus à la modification du produit, des dommages intentionnels, des accidents, une mauvaise utilisation, un mauvais traitement, la négligence ou l'exposition aux éléments, et 3) les frais de main d'œuvre ou d'assemblage.

LES GARANTIES TACITES, Y COMPRIS LA GARANTIE DE QUALITE MARCHANDE, NE S'ETENDRONT PAS AU-DELA DE LA DUREE ECRITE CITEE CI-DESSUS, ET BUSH NE SERA EN AUCUN CAS RESPONSABLE DES DOMMAGES ACCESSOIRES OU INDIRECTS RESULTANT DE L'UTILISATION DU PRODUIT. Certains états ne permettent pas d'appliquer une limite à la durée de la garantie tacite, ni une exclusion ou limitation des dommages accessoires ou indirects; dans ce cas les limitations ou exclusion ci-dessus peuvent ne pas s'appliquer à vous.

Cette garantie vous donne des droits légaux spécifiques. Il se peut que vous ayez également d'autres droits qui peuvent varier d'un état à l'autre.

GARANTIA ESCRITA DE BUSH FURNITURE PARA USTED

Para brindarle asistencia oportuna, por favor, verifique detalladamente que a su mueble no le falte o tenga piezas defectuosas inmediatamente después de abrir la caja. Para recibir un reemplazo o la parte faltante bajo esta garantía, llame a nuestro Departamento de Servicio al Consumidor GRATIS al 1-800-950-4782. Sírvase traer los números de modelo, parte y lote que se encuentran en el manual de instrucciones disponible para su referencia. Además, necesitará el recibo de su compra u otra prueba de compra. La(s) pieza(s) de reemplazo le será(n) enviada(s) sin recargo por Bush Industries asumiendo los gastos de envío y manipuleo.

Todo mueble de Bush Furniture es garantizado al comprador original al momento de la compra y por un periodo de tres años en adelante.

Le garantizamos a usted, el comprador original, que nuestros muebles sus partes y componentes están libres de defectos en materiales o trabajo. "Defectos", según se usa en esta garantía, se define como una imperfección que perjudica el uso del producto mobiliario.

Nuestra garantía se limita expresamente al reemplazo de partes y componentes mobiliarios. Durante tres años después de la fecha de compra, Bush reemplazará cualquier parte defectuosa en material o trabajo.

Esta garantía se aplica bajo condiciones de uso normal. Nuestros productos de Bush Furniture no son para uso en exteriores. Esta garantía no cubre: 1) defectos causados por un ensamblaje o desensamblaje inadecuado; 2) defectos que ocurran después de la compra debido a modificación del producto, daño intencional, accidente, mal uso, abuso, negligencia o exposición a los elementos; y 3) costos de trabajo o ensamblaje.

LAS GARANTÍAS IMPLICADAS, INCLUYENDO LA GARANTÍA DE COMERCIABILIDAD, NO SE EXTENDERÁN MÁS ALLÁ DE LA DURACIÓN DE LA GARANTÍA ESCRITA MENCIONADA, Y EN NINGÚN CASO BUSH SERÁ RESPONSABLE POR DAÑOS INCIDENTALES O CONSIGUIENTES COMO RESULTADO DEL USO DEL PRODUCTO. Algunos estados no permiten una limitación sobre el tiempo de duración de la garantía implicada o la exclusión o limitación de daños incidentales o consiguientes, de manera que la limitación y exclusión mencionadas pueden no aplicarse para usted.

Esta garantía le otorga derechos legales específicos. Puede también tener otros derechos que pueden variar según los estados.

3-Year
Manufacturer's
Warranty

Register your
product online at

Scan the QR Code or go to
[http://www.bushfurniture.com/
ProductRegistration.aspx](http://www.bushfurniture.com/ProductRegistration.aspx)



Assembly tips &
how to videos

Scan the QR Code to access our video
guides [https://www.bushfurniture.com/
CustomerService/HowToAssemble.aspx](https://www.bushfurniture.com/CustomerService/HowToAssemble.aspx)

