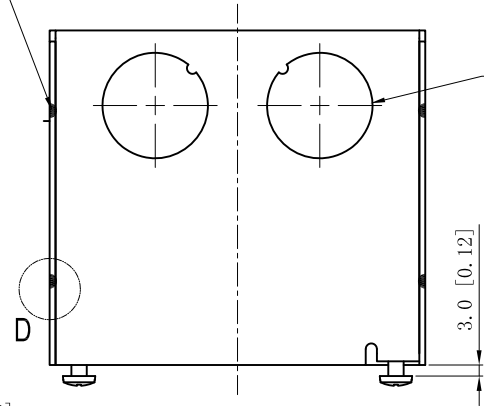
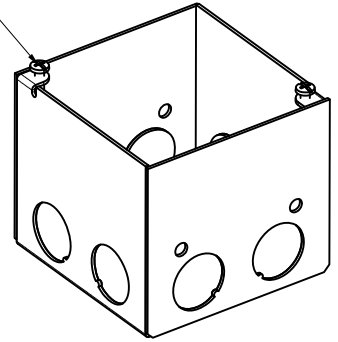


SIDES	BOTTOM
8 3/4" KNOCKOUTS	2 1/2" KNOCKOUTS
	2 3/4" KNOCKOUTS
	1 Ground Hump
2 PCS #8-32×1/2 Screws Installed	
Material: Steel-0.0625"-G60 Galvanized	

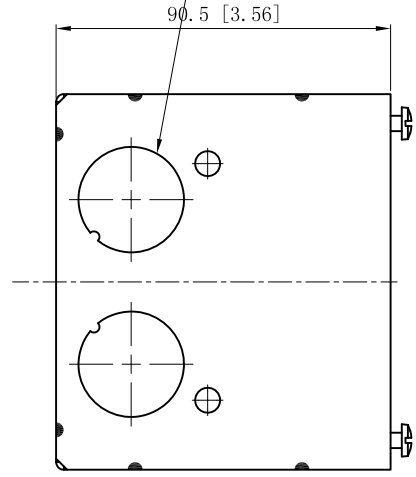
12 PLACES SPOT WELDING



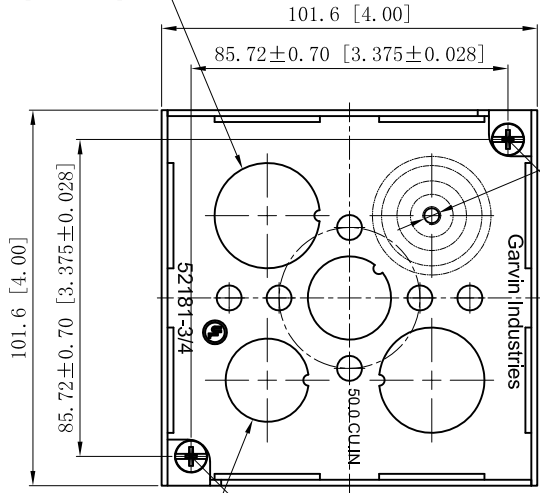
#8-32 UNC, ×2



4 3/4" KNOCKOUTS $\phi=28.50 [\phi=1.122]$ MORROR



2 3/4" KNOCKOUTS $\phi=28.50 [\phi=1.122]$



2 1/2" KNOCKOUTS $\phi=22.5 [\phi=0.89]$

WELDING STYLE DETAIL VIEW D

This data sheet is for reference only .GARVIN INDUSTRIES reserves the right to make changes to the design without prior notice.

DESCRIPTION
TRADE REFERENCE TERMS

STANDARD PACKING
10 PCS

<h1 style="text-align: center;">GARVIN INDUSTRIES</h1>		
<h2 style="text-align: center;">4" SQUARE BOXES 3-1/2" DEEP</h2>		
SIZE	DWG NO.	REV
A4	52181-3/4	A
<h3 style="text-align: center;">DATA SHEET</h3>		