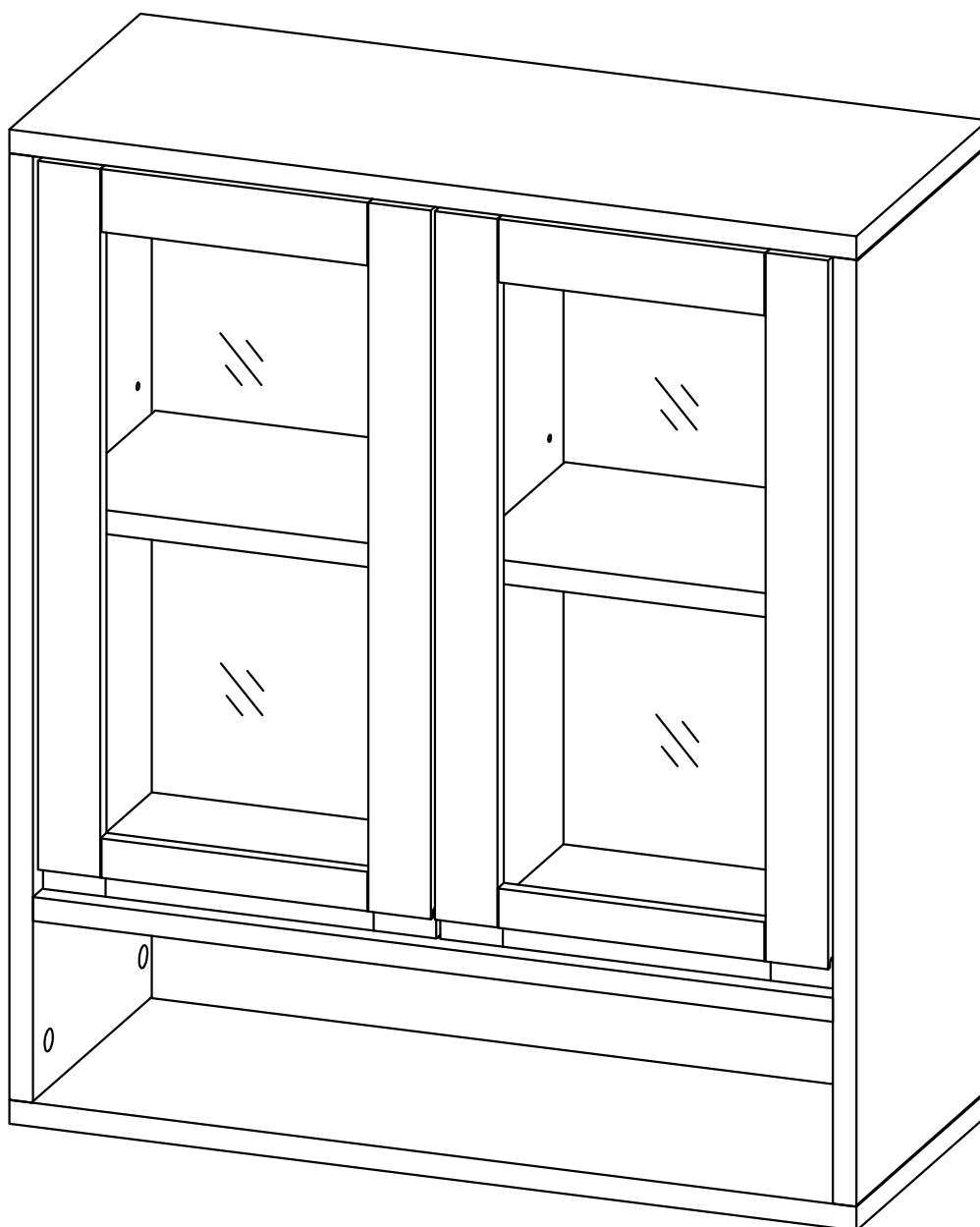


DRAPER / BAXTER / TIERNEY

DOUBLE DOOR WALL CABINET

MODEL # AXCBCDRP-04





Questions, problems, assembly help, missing parts?

No need to return the product, we will gladly help and ship your replacement parts free of charge

Please call Customer Service at 1-866-518-0120 ext. 262

Monday to Friday between 9 am –4 pm EST

or go to

www.simpli-home.com/parts request

In order to assist you in a timely manner, please have the following information ready:

Model # _____ Part Number or Letter _____

Purchased at _____ Date of Purchase _____

If you wish to return the product, please contact the retailer where the product was purchased.

IMPORTANT : Please read this manual carefully before beginning assembly of this product. Keep this manual for future reference.

SAFETY INFORMATION

Identify all the parts and hardware. Do not discard of the packaging until you have checked that you have all of the parts and hardware required. Hardware package may have spare parts.

WARNING: This item contains small parts which can be swallowed by children and pets. Keep children and pets away during assembly. To avoid danger of suffocation, always keep plastic bags away from children and pets. We recommend that you assemble this unit on a carpeted floor to avoid scratches. If using power tools, set the tool to low torque to avoid damage.

May require 2 people for ease of assembly.

IMPORTANT : Please read this manual carefully before beginning assembly of this product. Keep this manual for future reference.

CARE and MAINTENANCE

Perhaps the greatest environmental damage to wood furniture comes from wide swings in relative humidity (RH) in our homes. Wood absorbs and desorbs water as relative humidity rises and falls, and in doing so it swells and shrinks. Making matters worse, it expands and contracts unequally along different grain directions. As humidity changes, the components of wooden objects are continually pushing and pulling against each other. This pressure often results in parts of furniture no longer fitting together closely or becoming distorted or breaking from their own internal stresses.

The response to relative humidity changes begins with determining the annual average RH for your particular space. Then try to keep the RH in the space where your furniture is as close to that average as possible, generally within about 10% up or down. De-humidify in the summer and humidify in the winter.

Be aware that raising the temperature lowers the humidity and vice versa. Thus, modern heating systems, which can drive down interior RH in the winter, almost invariably cause problems for furniture. To counteract their effect, you can either modify the RH by keeping furniture containing spaces cooler in the winter or most importantly, have a good working humidifier for your home. A humidistat automatically works to balance the humidity in your home so it is constant. Dry indoor air can suck enough moisture from its surroundings to do permanent damage to wood, causing it to crack or split.

Remember, that not all woods are created equal. Two factors that help determine how rapidly a wood will lose moisture are pore size and surface hardness. A piece made from a dense and hard wood will dry less rapidly than pieces made from softer woods.

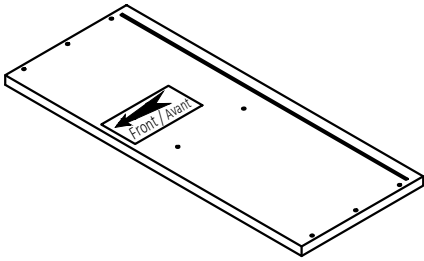
Furniture that is sealed and lacquered will lose moisture more slowly than an unfinished piece while pieces with veneer finishes are not only stronger, but lose moisture more slowly than other finishes.

To help protect your wood furniture, take these steps:

- Use a humidifier, preferably one with an automatic control system that can sense the humidity level and adjust itself accordingly. Don't over-humidify; that can damage wood by causing it to expand and contract.
- Keep furniture out of direct sunlight, which can cause it to dry out, crack and warp.
- If you can avoid it, don't put furniture near heating vents. If you must, keep the piece 3 to 4 inches away from the wall, giving the heat and air space to circulate.
- Dust with soft dry cloth.
- Do not use liquid or aerosol products.
- To avoid marking, do not place rubber on surface (foot pads, etc.)
- For soil build-up, wipe with damp cloth & dry.
- Do not use abrasive cleaners.

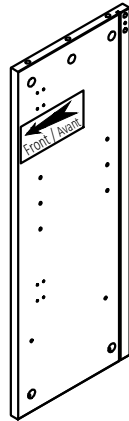
PART DESCRIPTION

A



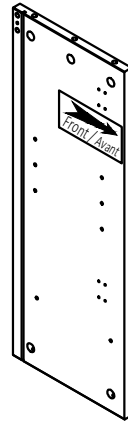
TOP
QTY 1

BL



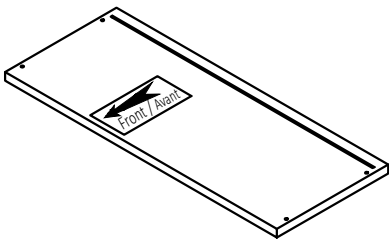
LEFT SIDE
QTY 1

BR



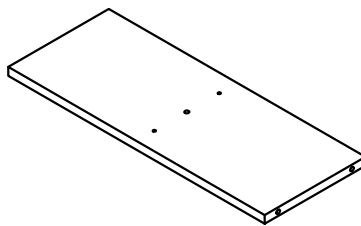
RIGHT SIDE
QTY 1

C



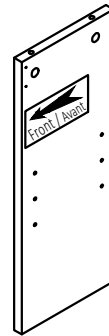
BOTTOM SHELF
QTY 1

D



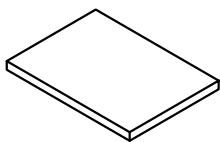
MIDDLE SHELF
QTY 1

E



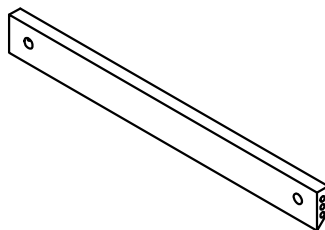
DIVIDER
QTY 1

F



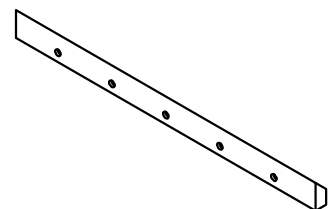
SHELF
QTY 2

G



BACK BAR
QTY 1

H

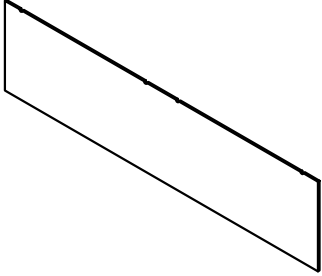


WALL MOUNT BAR
QTY 1

NEED HELP? For help with assembly or if you are missing a part,
Please call customer service at 1-866-518-0120 ext. 262 (9 am to 4 pm EST)

PART DESCRIPTION

I



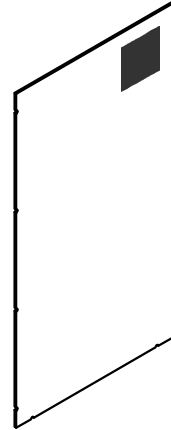
BOTTOM BACK PANEL
QTY 1

IL



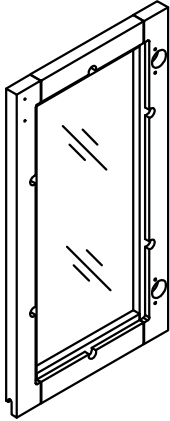
LEFT BACK PANEL
QTY 1

IR



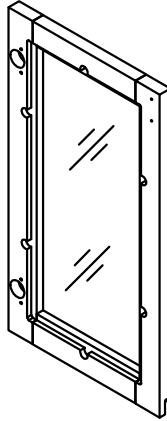
RIGHT BACK PANEL
QTY 1

JL



LEFT DOOR
QTY 1

JR

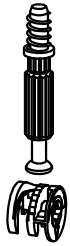


RIGHT DOOR
QTY 1

NEED HELP? For help with assembly or if you are missing a part,
Please call customer service at 1-866-518-0120 ext. 262 (9 am to 4 pm EST)

HARDWARE DESCRIPTION

1



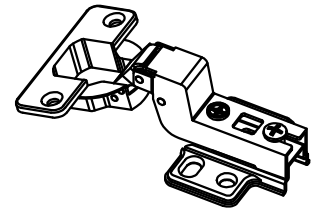
CAM LOCK PIN
CAM LOCK
QTY 18 SETS

2



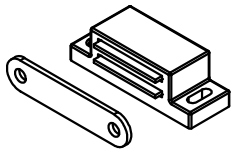
WOOD DOWEL
Ø8 X 30mm
QTY 5

3



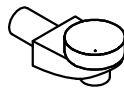
ADJUSTABLE HINGE
QTY 4

4



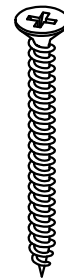
MAGNET AND PLATE
QTY 2 SETS

5



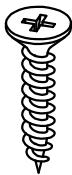
SHELF SUPPORT
QTY 8

6



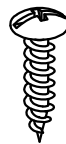
PHILLIPS SCREW
M4 X 50mm
QTY 7

7



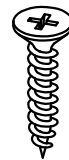
PHILLIPS SCREW
M4 X 15mm
QTY 24

8



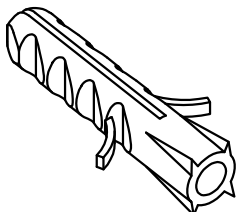
PHILLIPS SCREW ROUND HEAD
M4 X 15mm
QTY 7

9

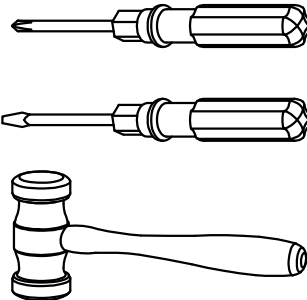


PHILLIPS SCREW
M3 X 15mm
QTY 8

10

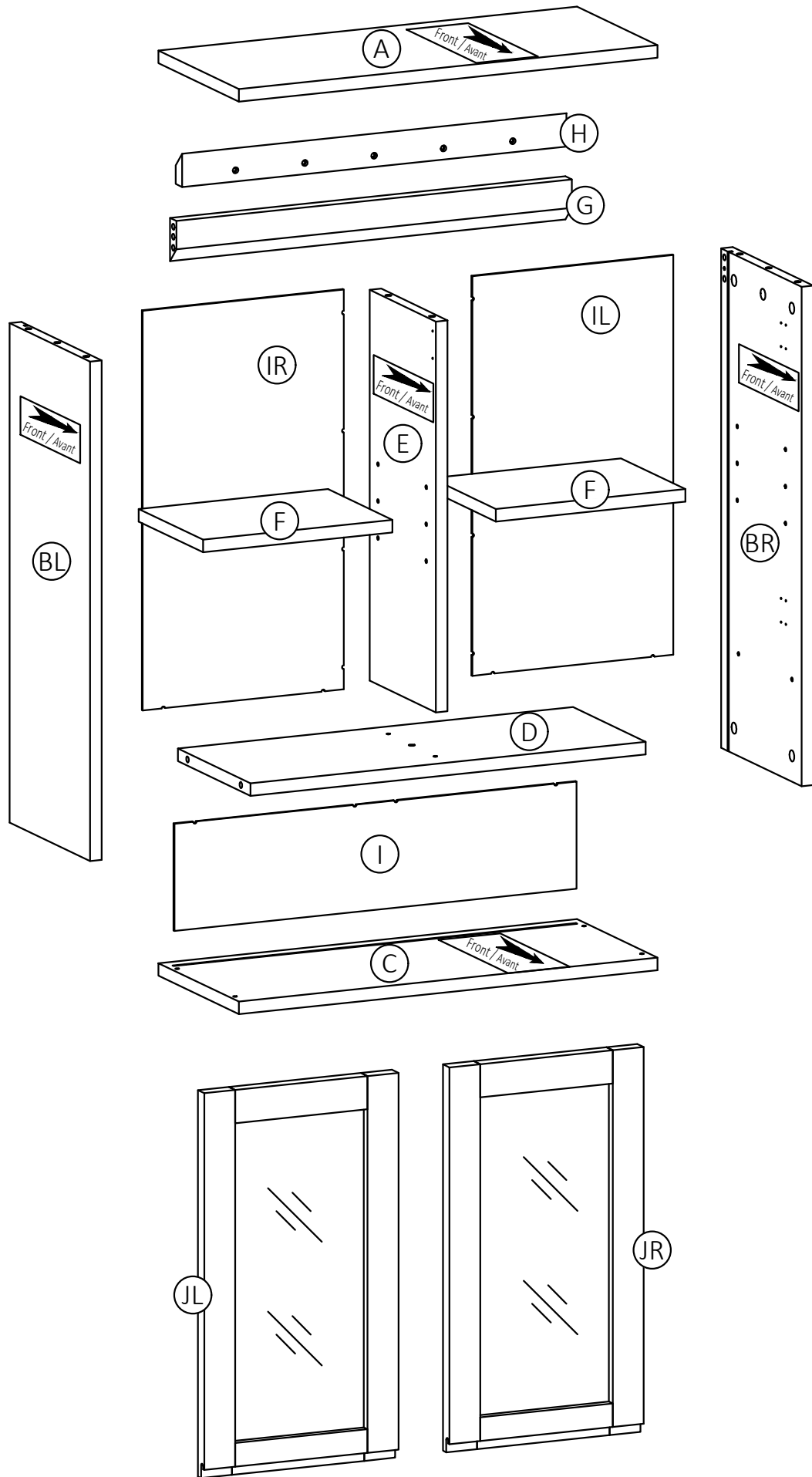


WALL ANCHOR
QTY 4

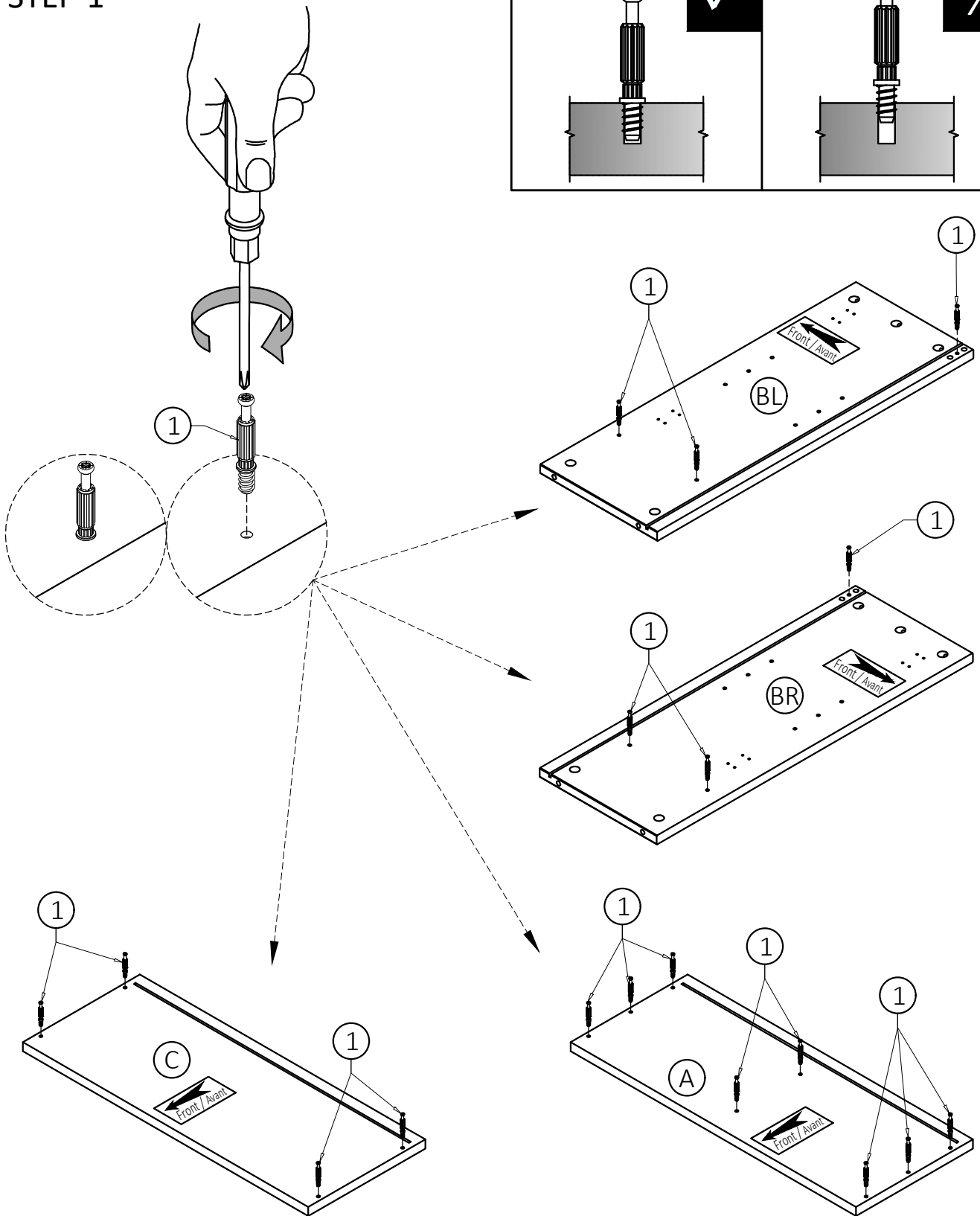
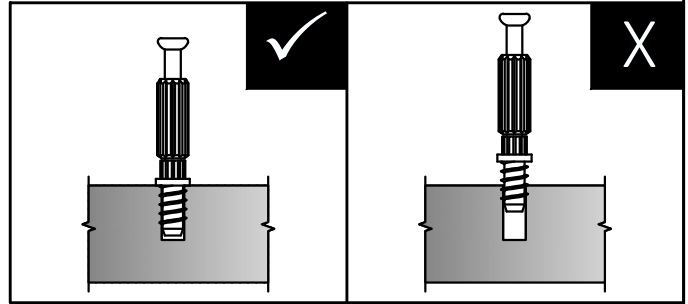


Required -
Flathead screwdriver
Phillips screwdriver
Rubber mallet
Not Included

NEED HELP? For help with assembly or if you are missing a part,
Please call customer service at 1-866-518-0120 ext. 262 (9 am to 4 pm EST)

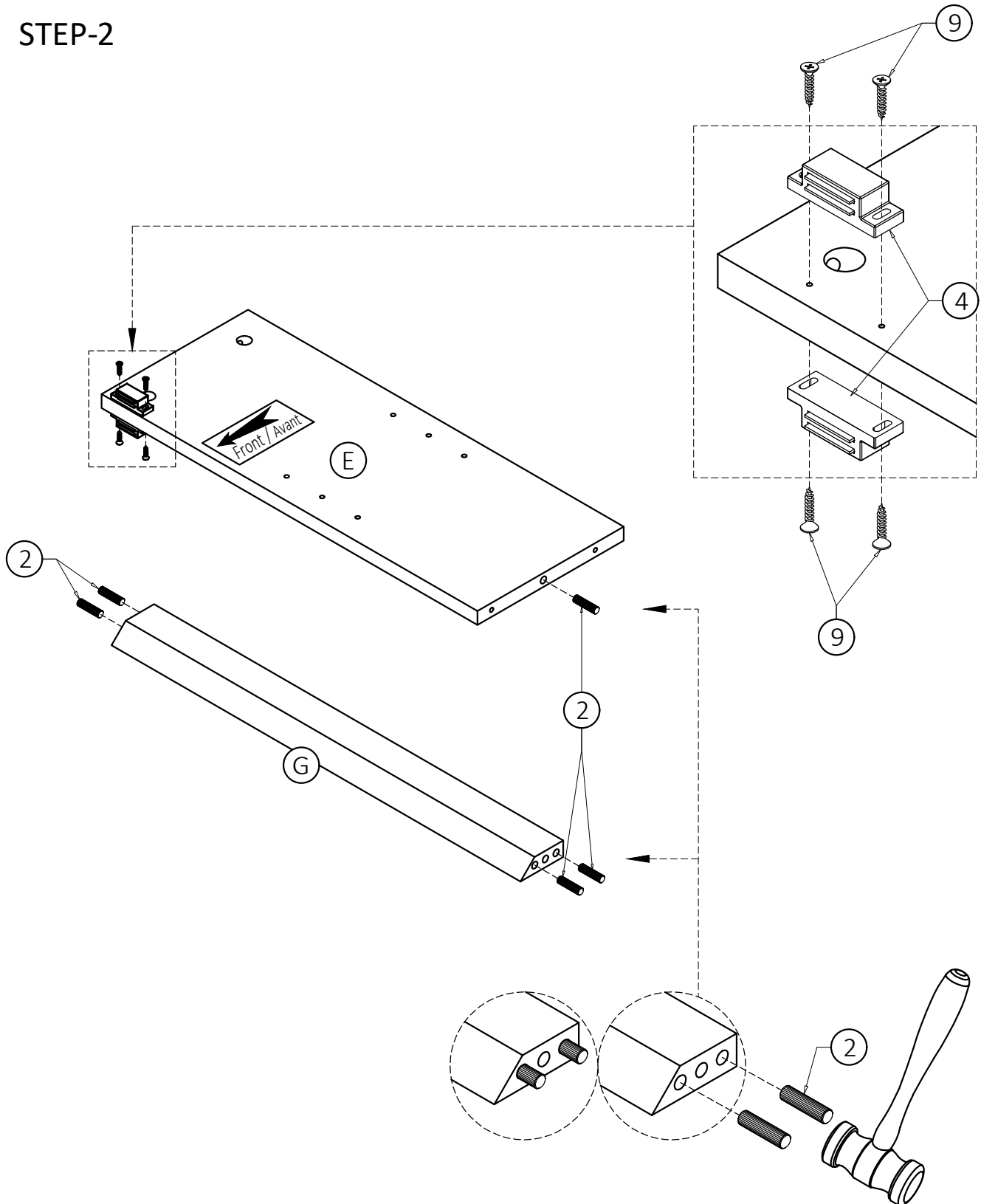


STEP-1



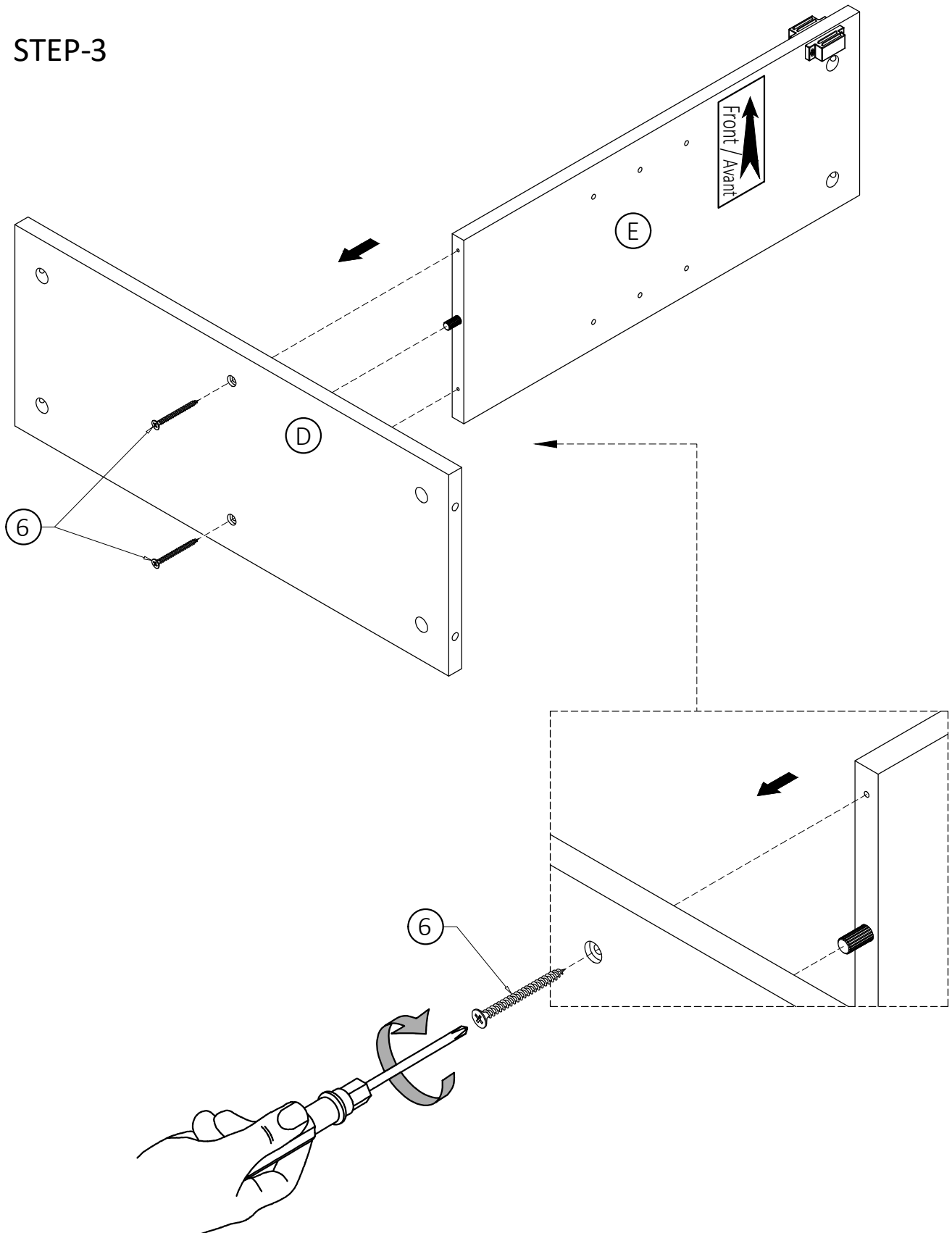
1. Attach Cam Lock Pins ① into pre-drilled holes on parts (A), (BL), (BR), (C).
2. Use Phillips screwdriver to secure Cam Lock Pins. Do not over-tighten.

STEP-2



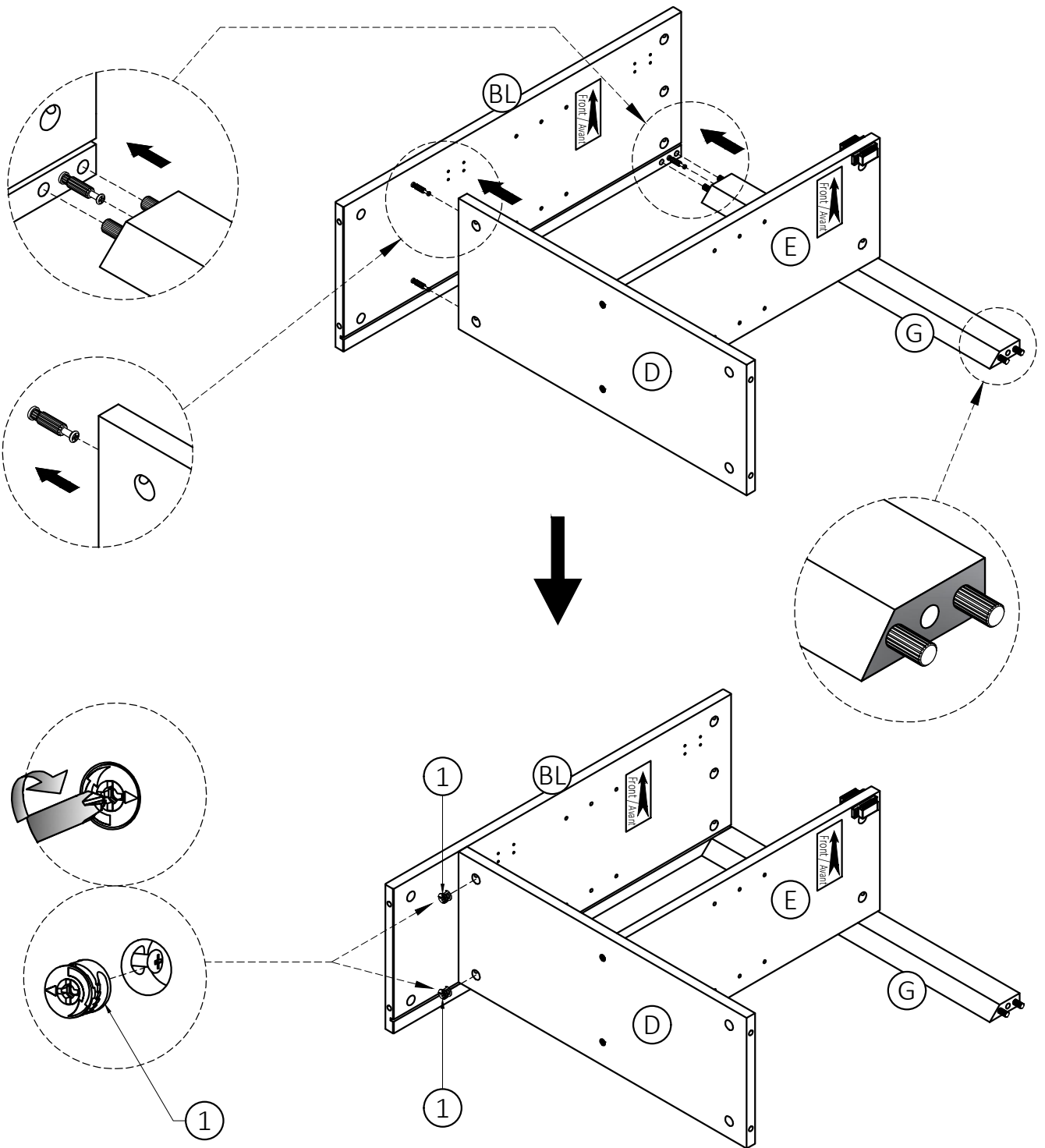
1. Attach Magnets (4) using Phillips Screws (9) into pre-drilled holes Divider (E).
2. Use Phillips screwdriver to secure screws. Do not over-tighten.
3. Insert Dowels (2) into guide holes on each part (E), (G).
4. Use rubber mallet to tap Dowels (2) into bottom of holes securely. 1/2 length of Dowels should be exposed.

STEP-3



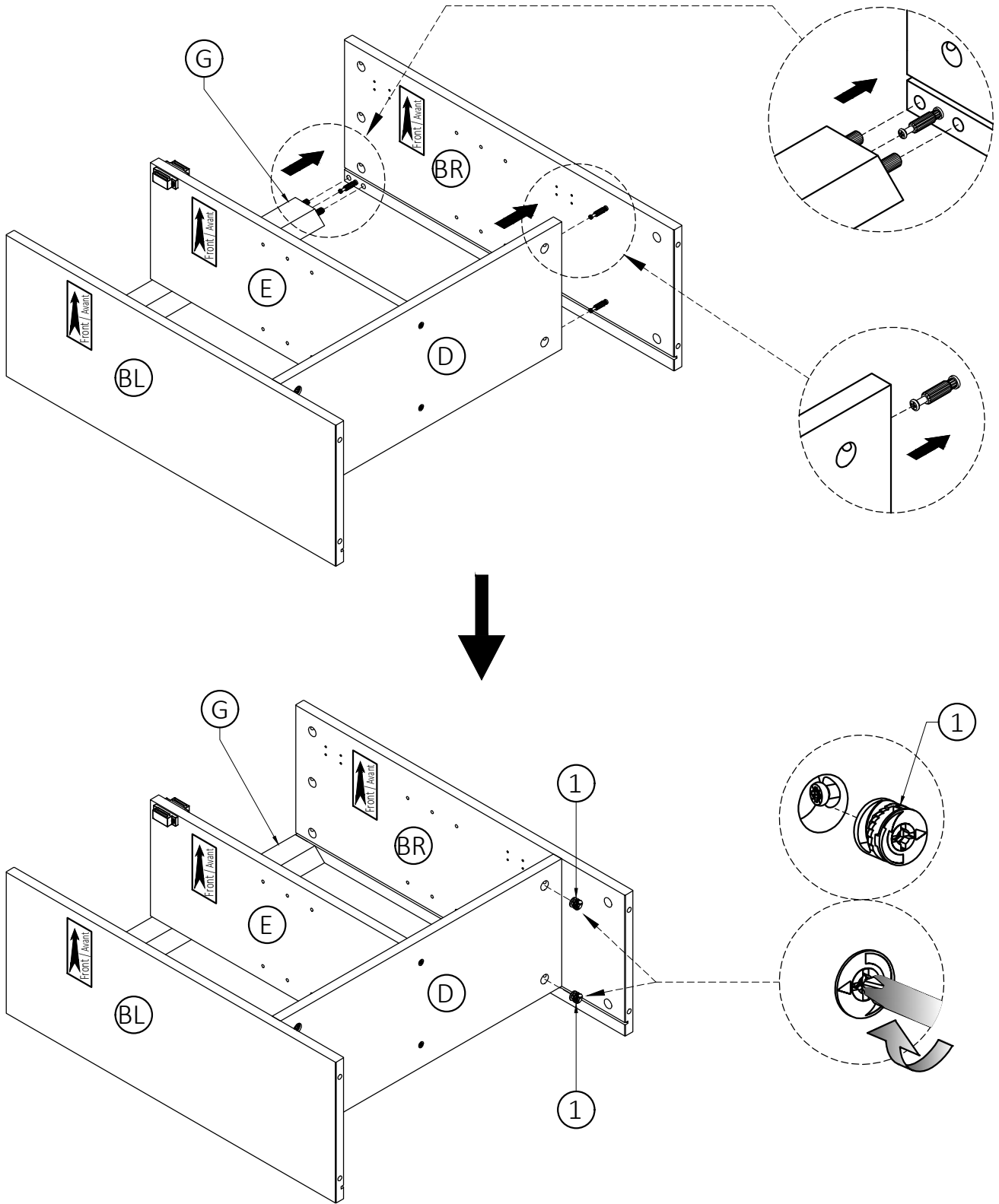
1. Align Wood Dowel with guide holes and attach Divider (E) to Middle Shelf (D).
2. Use two Phillips Screws (6) to attach Middle Shelf (D) through guide holes from Middle Shelf (D) to pre-drilled holes of Divider (E).
3. Use Phillips screwdriver to secure Screws. Do not over-tighten.

STEP-4



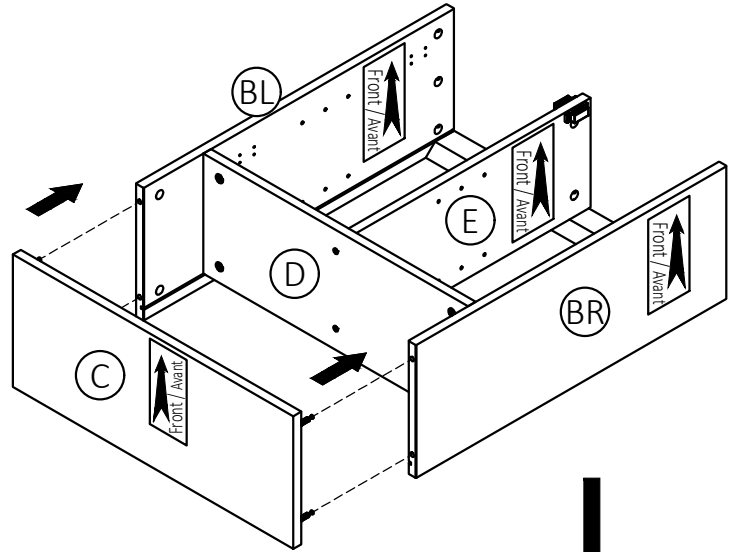
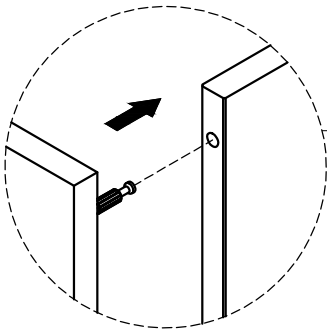
1. Align Wood Dowels and Cam Lock Pins with guide holes and attach parts (D), (G) to Left Side (BL).
2. Insert two Cam Locks (1) into guide holes on Middle Shelf (D).
3. Use Phillips screwdriver to secure Cam Locks.

STEP-5

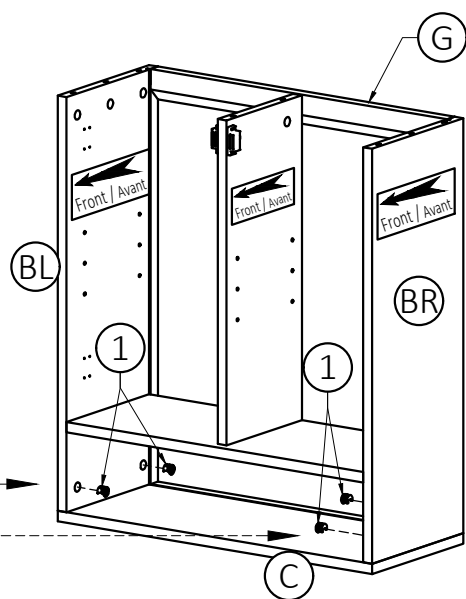
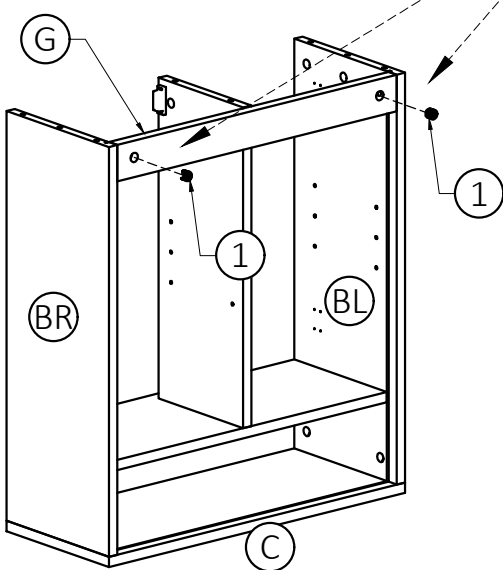
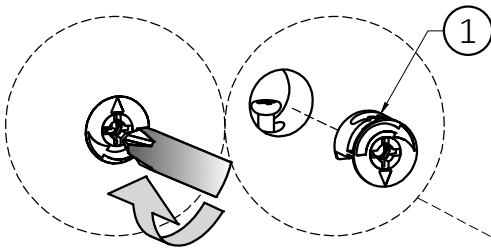
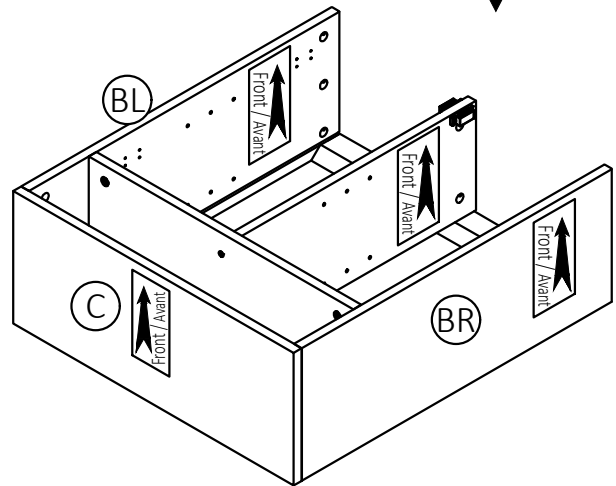


1. Repeat Step-4 for the Right Side (BR).

STEP-6

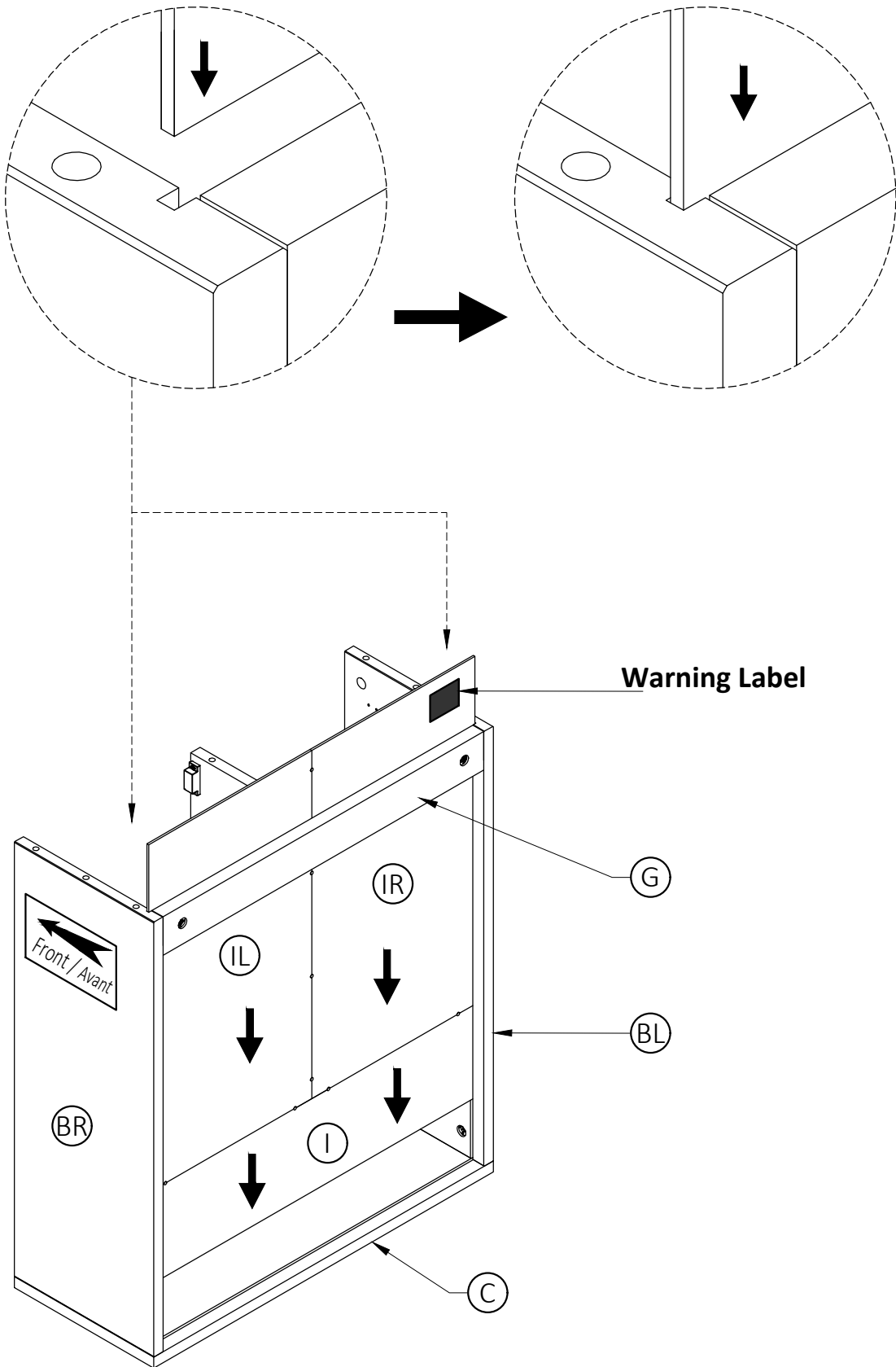


1. Align Cam Lock Pins with guide holes and attach part (C) to Sides (BL), (BR).



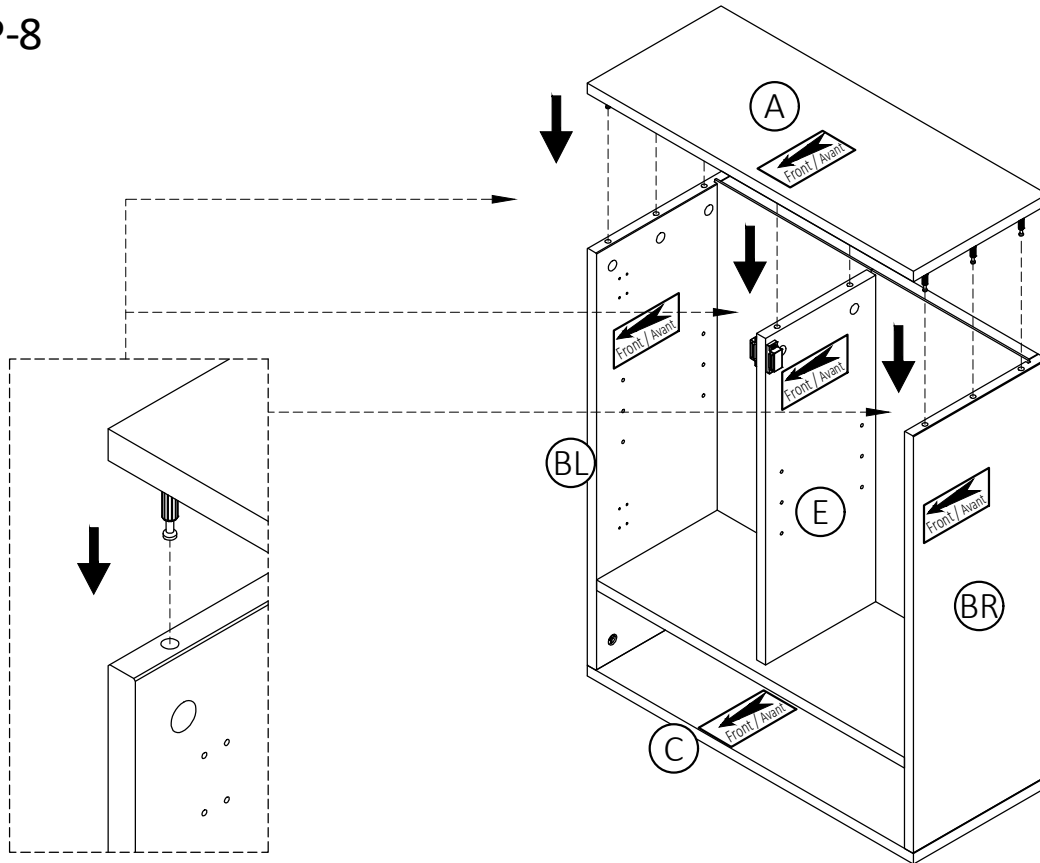
2. Insert two Cam Locks (1) into guide holes on Back Bar (G) and each Side (BL), (BR).
 3. Use Phillips screwdriver to secure Cam Locks.

STEP-7

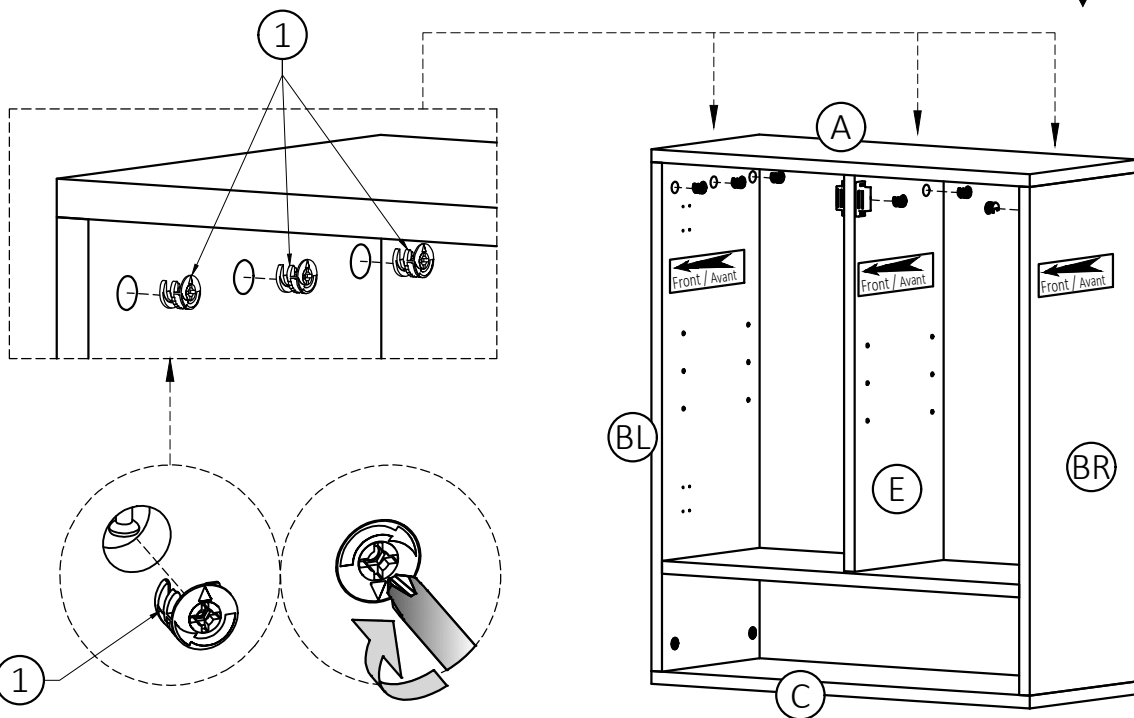


1. Slide Back Panels (I), (IL), (IR) firmly into slots on Sides (BL), (BR) and Bottom Shelf (C).

STEP-8

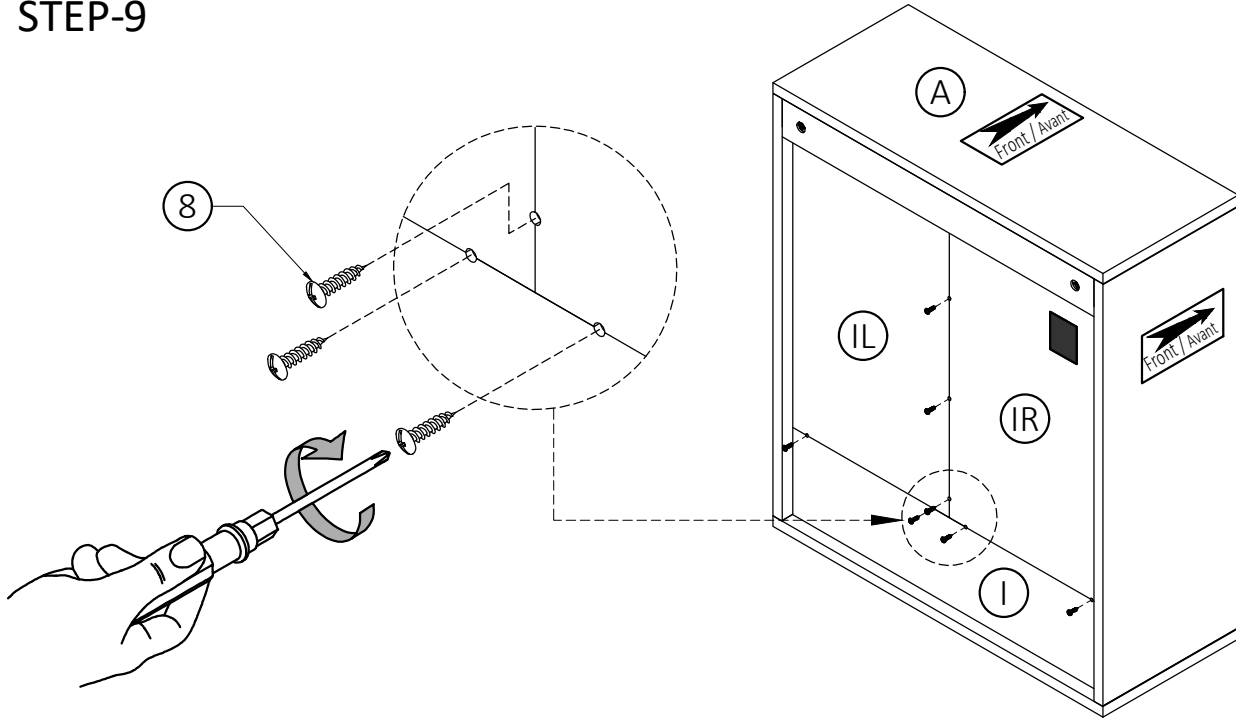


1. Align Cam Lock Pins with guide holes and attach part (A) to parts (BL), (BR), (E).



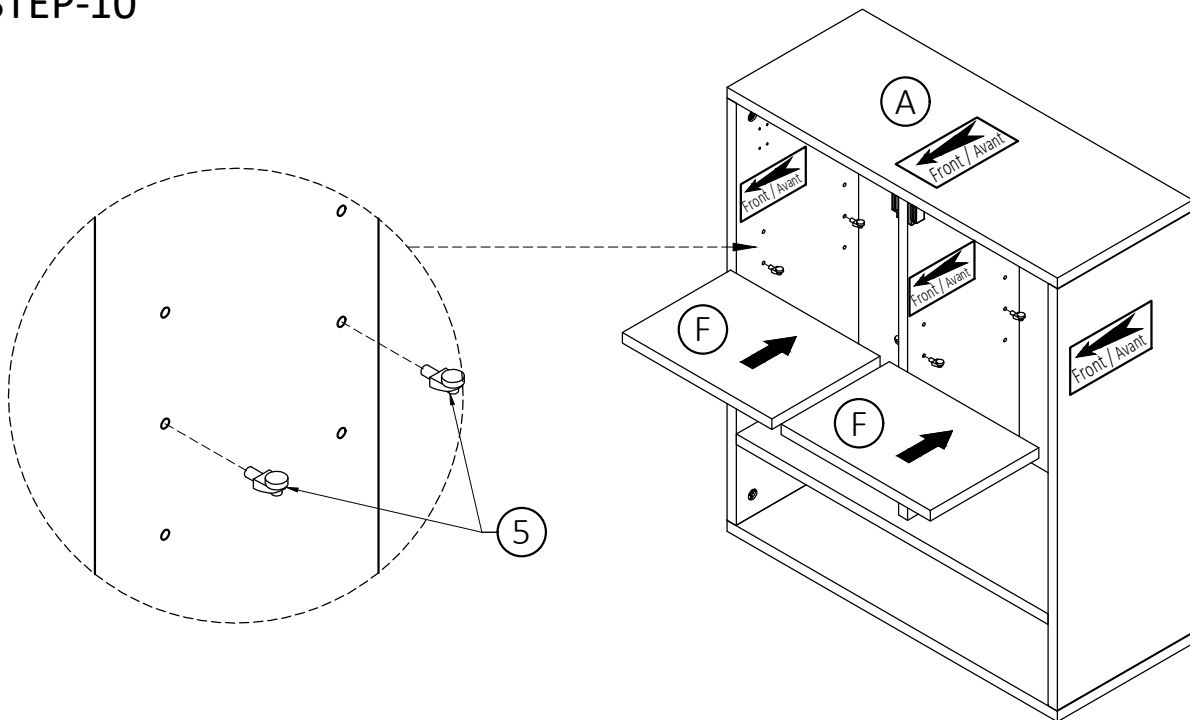
2. Insert Cam Locks (1) into guide holes on each part (BL), (BR), (E).
3. Use Phillips screwdriver to secure Cam Locks.

STEP-9



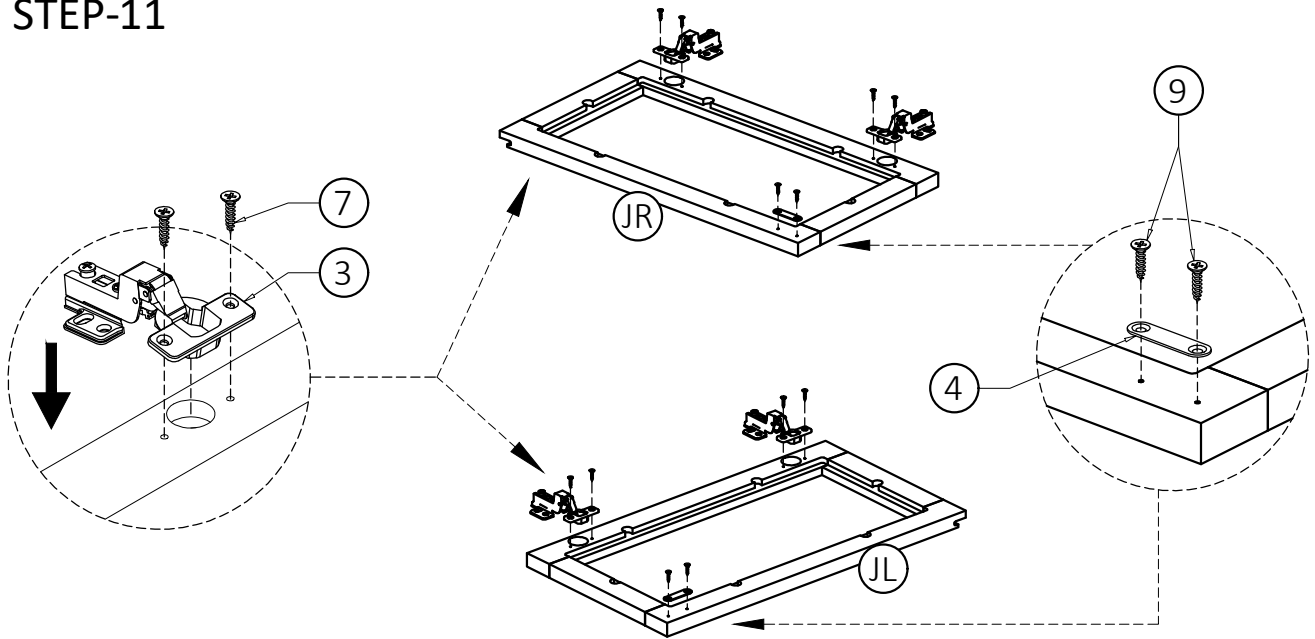
1. Use Phillips Screws Round Head (8) to attach Back Panels (I, IL, IR) through guide holes.
2. Use Phillips screwdriver to secure Screws. Do not over-tighten.

STEP-10



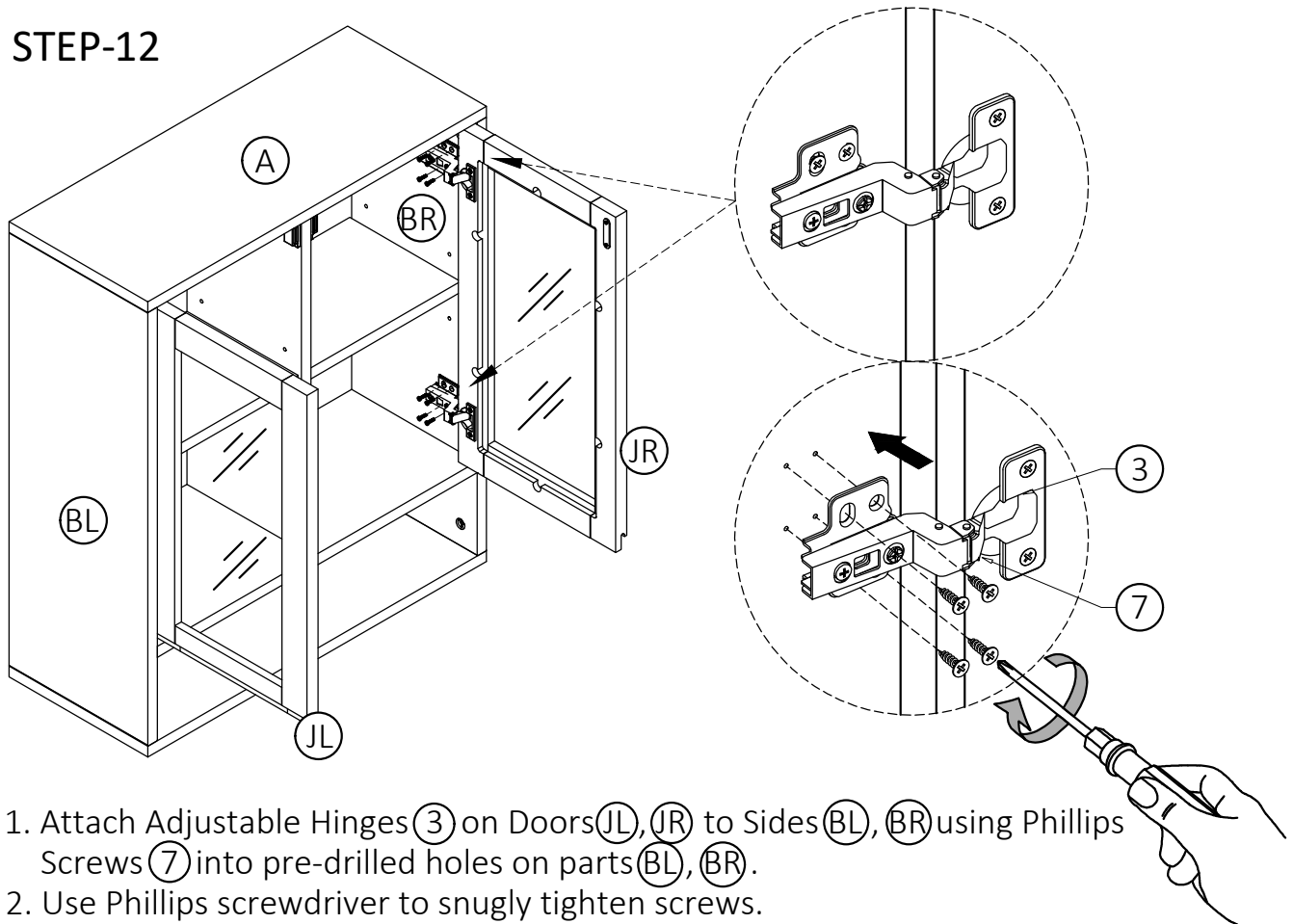
1. Use four Shelf Supports (5) for each Cabinet Shelf (F) in desired location .

STEP-11



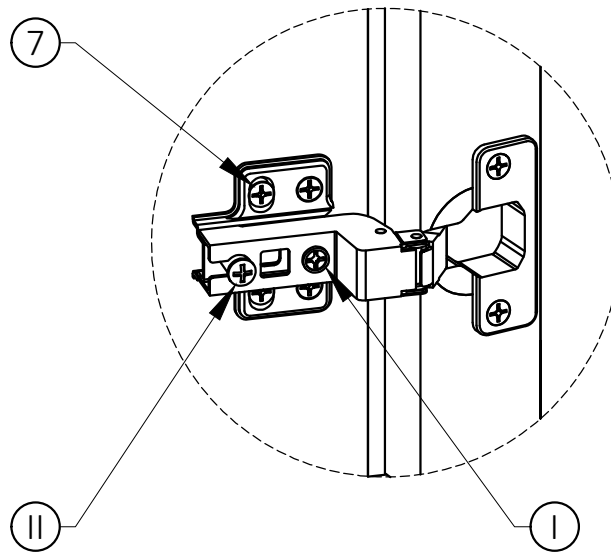
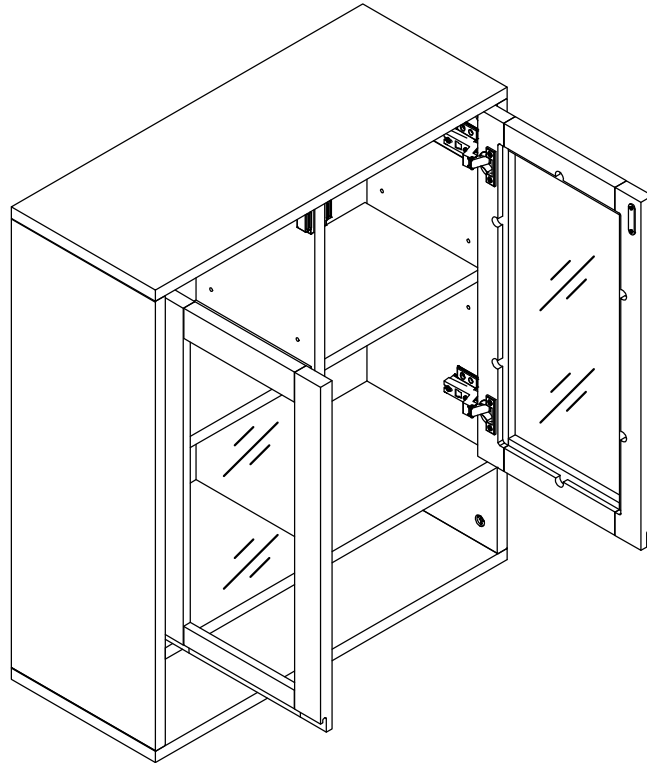
1. Attach Adjustable Hinges (3) to Doors (JL, JR) using Phillips Screws (7) into pre-drilled holes on Doors (JL, JR).
2. Attach Magnet Plates (4) to top corner of Doors (JL, JR) using Phillips Screws (9) into pre-drilled holes on Doors (JL, JR).

STEP-12



1. Attach Adjustable Hinges (3) on Doors (JL, JR) to Sides (BL, BR) using Phillips Screws (7) into pre-drilled holes on parts (BL, BR).
2. Use Phillips screwdriver to snugly tighten screws.

STEP-13

IMPORTANT NOTE:

Tighten the Screw marked (II) to fasten hinge. The door may need to be adjusted so that all the spaces between the door and the unit sides are equal.

To adjust, follow instructions:

1. Side adjustment 4 mm

To move the door towards the side panel, loosen screw (I) and tighten screw (II).

To move the door away from the side panel, loosen screw (II) and tighten screw (I).

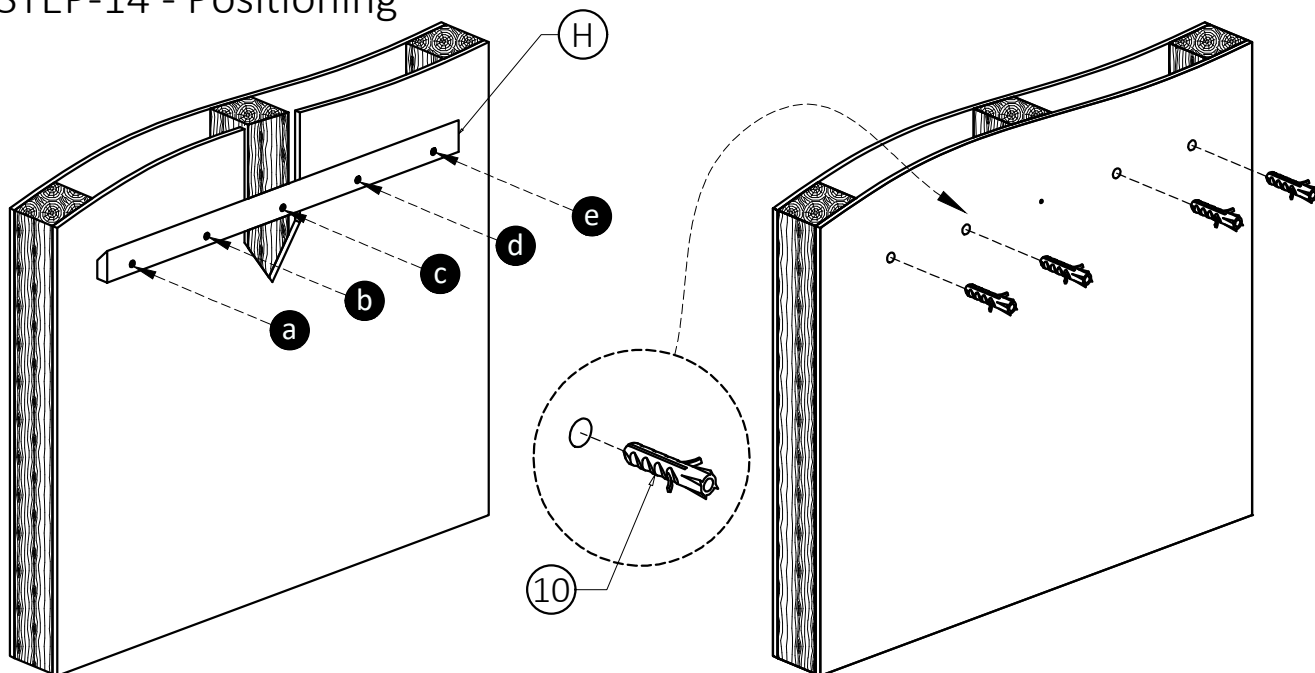
2. Depth adjustment 4 mm

Loosen screw (II) (just one turn), adjust door to desired position, re-tighten screw .

3. Height adjustment

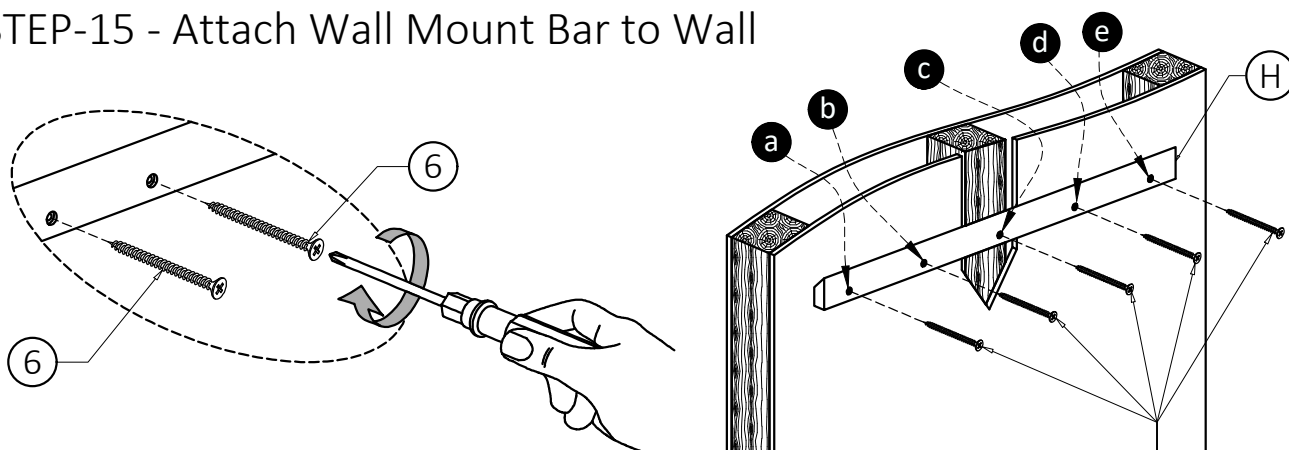
Loosen screw (7), adjust door to desired position, re-tighten screw .

STEP-14 - Positioning



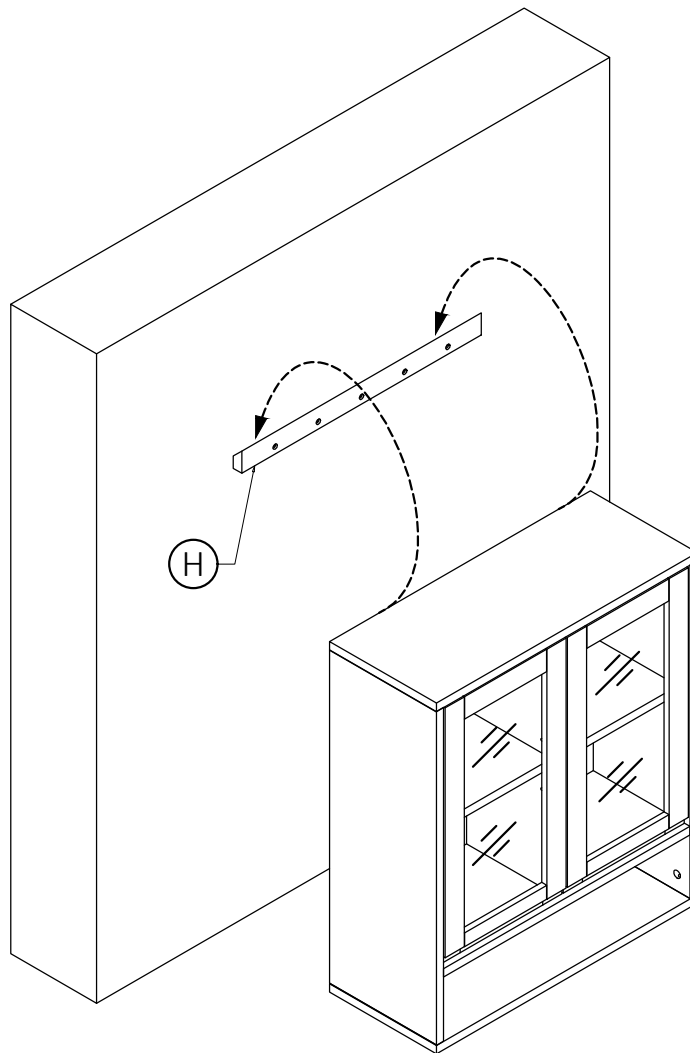
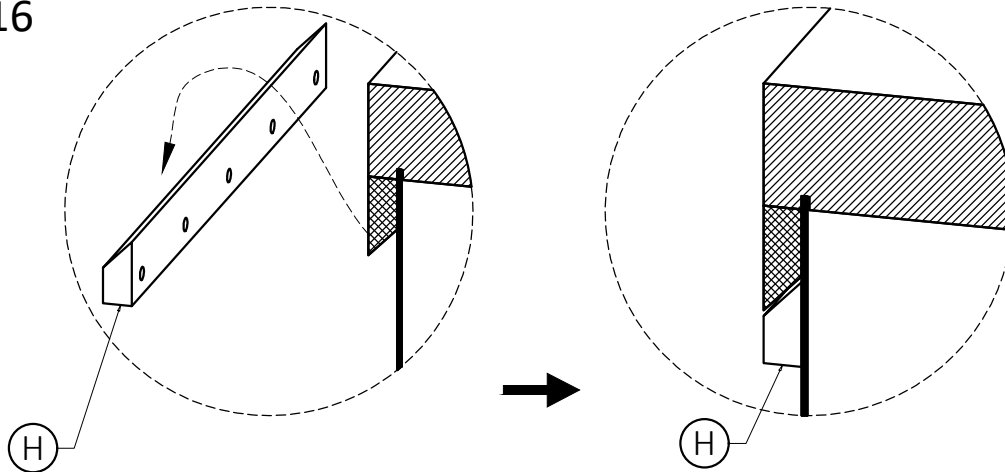
1. Determine the location for the unit on the wall. The Top (A) should be approximately 1 ¼" above the top of the Wall Mount Bar (H) when mounted.
2. Place the Wall Mount Bar (H) at the predetermined height. Use a level to ensure that it is straight. The flat side of Wall Mount Bar (H) should face outward away from the wall. Hole (c) should align with your studs. Carefully mark the position of each hole using the tip of the Phillips Screw (6) .
3. Install four Wall Anchors (10) to positions (a),(b),(d),(e) using a Phillips screwdriver. Anchors are self-tapping and do not need pre-drilled holes.
4. Use your drill to create 1 hole 0.15" diameter x 2" deep at position (c) .

STEP-15 - Attach Wall Mount Bar to Wall



1. Screw one Phillip Screw (6) through the raised side of the Wall Mount Bar (H) at position (c).
2. Screw four Phillip Screws (6) through the raised side of the Wall Mount Bar (H) at positions (a),(b),(d),(e) where Wall Anchors (10) were placed.
3. Tighten all screws. Do not over tighten.

STEP-16



1. Align the top of the Wall Mount Bar (H) with the bottom of the angled bracket on the back of the Cabinet.
2. Gently slide the Cabinet down on to the Wall Mount Bar (H).



WARRANTY

Thank you for purchasing a Simpli Home – Wyndenhall – Brooklyn + Max product. These products have been made to demanding, high-quality standards and are guaranteed for domestic use against manufacturing faults for a period of 12 months from the date of purchase. This warranty does not affect your statutory rights.

In case of any malfunction of your product (failure, missing parts, etc.) please contact us at our toll free service line at 1-866-518-0120 ext. 262 from 9 am to 4 pm, Monday to Friday, Eastern Standard Time or by email at customerservice@simpli-home.com.

We reserve the right to repair or replace the defective product, at its discretion.

This product is guaranteed for 12 months if used for normal purposes. Any warranty is invalid if the product has been overloaded or subject to neglect, improper use or an attempted repair by other than an authorized agent. Heavy-duty or daily professional/commercial usage are not guaranteed.

Due to continuous product improvement, we reserve the right to change the product specifications without prior notice.